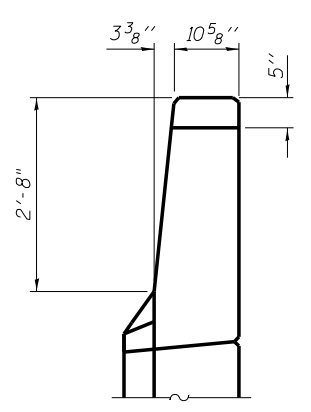
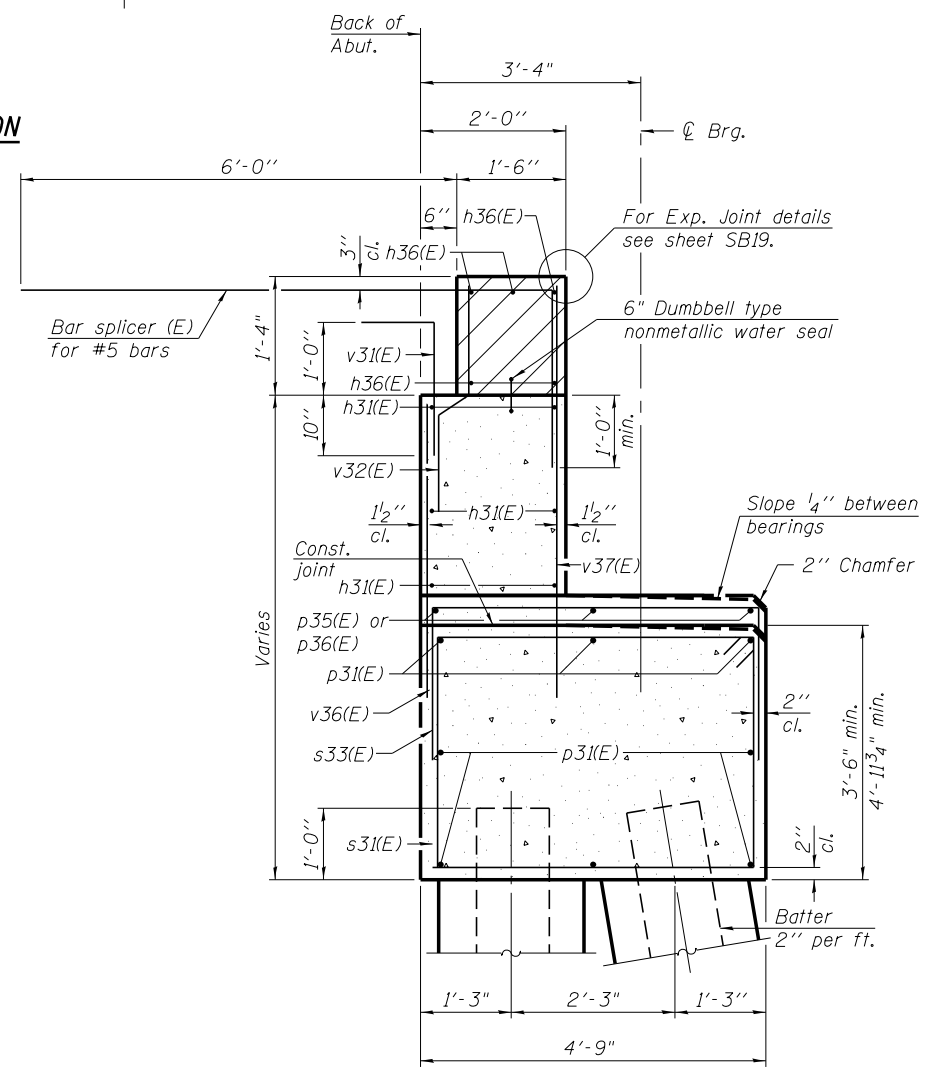


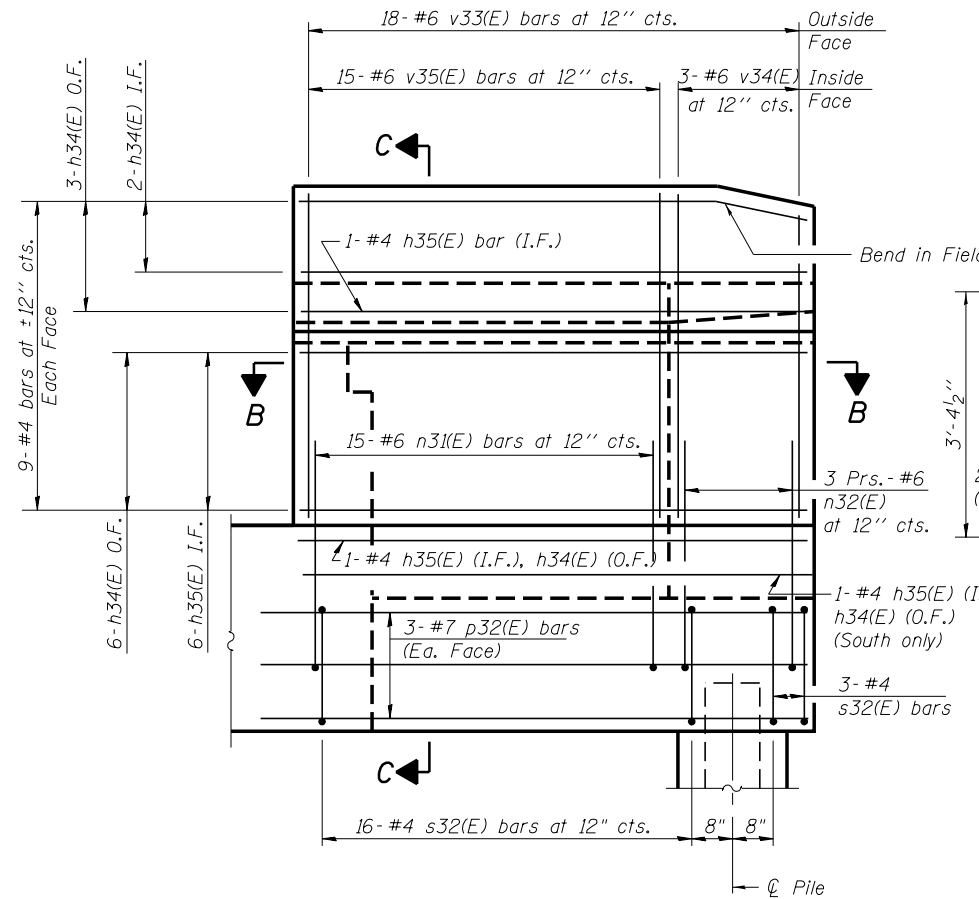
**WING WALL ELEVATION**  
Showing Dimensions



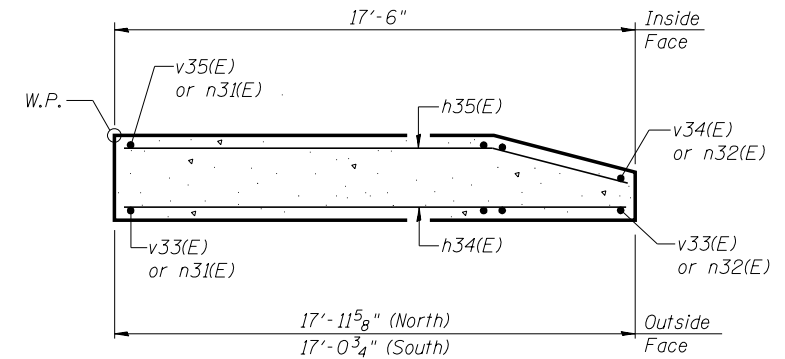
**VIEW A-A**



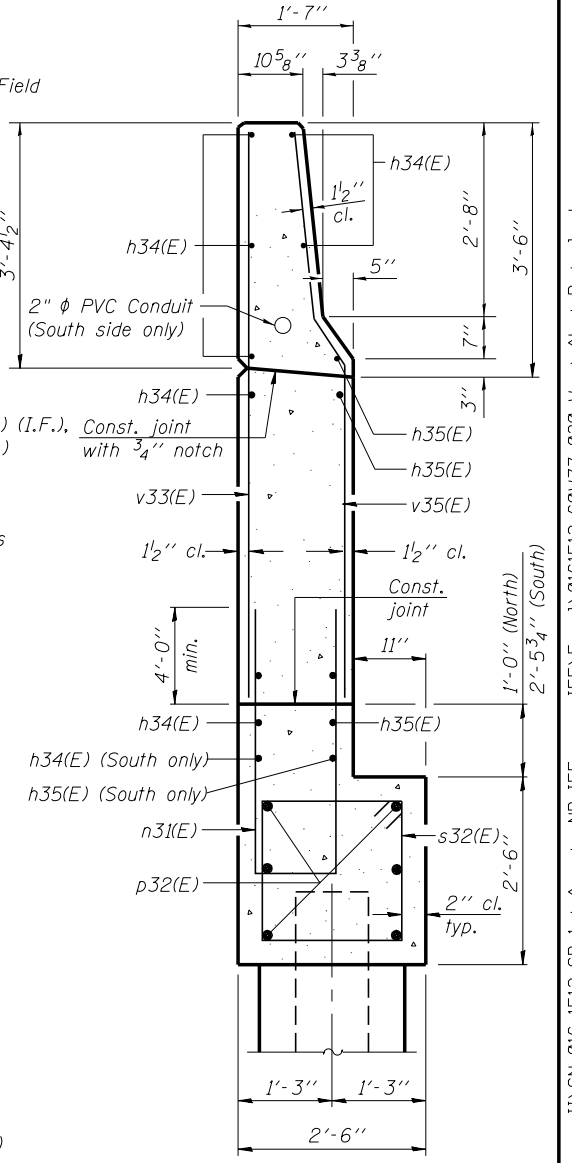
**SEC. THRU ABUT.**



**WING WALL ELEVATION**  
Showing Reinforcement



**SECTION B-B**



**SECTION C-C**

**Notes:**  
 Hatched area to be poured after superstructure false work has been removed. Quantity of concrete included with Concrete Superstructure on sheet SB14.  
 Space reinforcement in cap to miss anchor bolts.  
 Pour steps monolithically with cap.  
 Quantity of concrete in end post included with Concrete Superstructure on sheet SB14.  
 For Concrete Encasement details, see sheet SB38.



Alfred Benesch & Company  
 205 North Michigan Avenue, Suite 2400  
 Chicago, Illinois 60601  
 312-565-0450 Job No. 10093

FILE NAME =	USER NAME = ksnyder	DESIGNED - JHG	REVISED -
0161512.60W77.030.West.Abut.Details.dgn		CHECKED - KWS	REVISED -
		DRAWN - KMS	REVISED -
		CHECKED - KWS	REVISED -

**STATE OF ILLINOIS**  
**DEPARTMENT OF TRANSPORTATION**

**WEST ABUTMENT DETAILS**  
**STRUCTURE NO. 016-1512**

SHEET NO. SB30 OF SB43 SHEETS

F.A.P. RTE.	SECTION	COUNTY	TOTAL SHEETS	SHEET NO.
373	(0707-608&611)HB-B	COOK	177	146
CONTRACT NO. 60W77				
ILLINOIS FED. AID PROJECT				

X:\10000S\10093\Eng-Docs\Phase-11\SN-016-1512-SB-1st.Ave.-to-NB-155-over-155\Final\0161512.60W77.030.West.Abut.Details.dgn 10:39:04 AM 6/23/2014