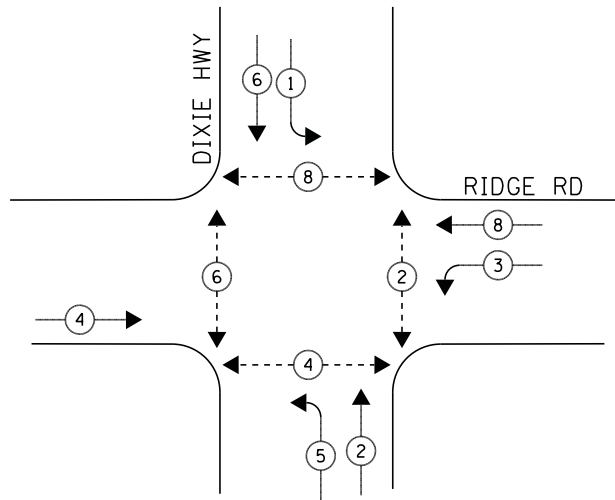
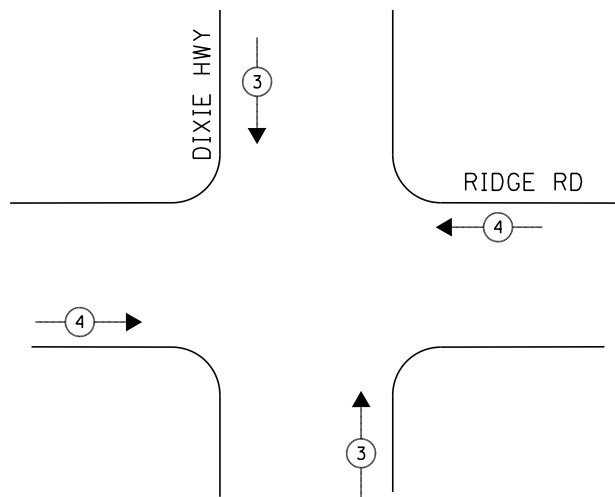


CONTROLLER SEQUENCE



PHASE DESIGNATION DIAGRAM

EMERGENCY VEHICLE PREEMPTION SEQUENCE



LEGEND

- ◀ * → DUAL ENTRY PHASE
- ◀ * → SINGLE ENTRY PHASE
- ◊ O.L. OVERLAP
- ◀ * → PEDESTRIAN PHASE
NUMBER REFERS TO ASSOCIATED PHASE

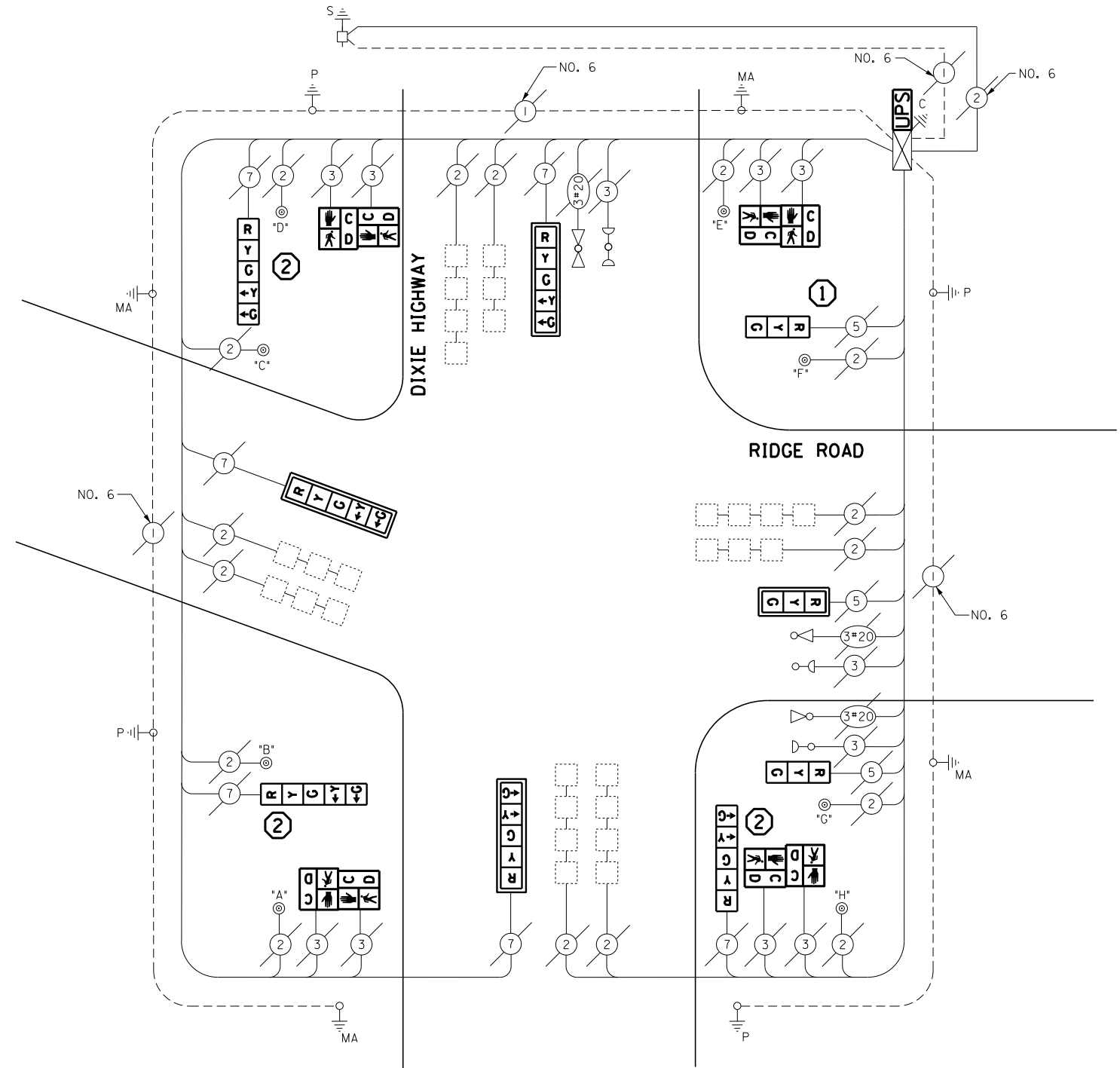
- ① REPLACE 14FT, PAINTED POST, RE-USE EXISTING FOUNDATION
- ② REPLACE 16FT, PAINTED POST, RE-USE EXISTING FOUNDATION

EMERGENCY VEHICLE PREEMPTORS		
EMERGENCY VEHICLE PREEMPTOR	3	4
MOVEMENT	↑↓	←→

SCHEDULE OF QUANTITIES

QUANTITY	UNIT	ITEM
1	EACH	MAINTENANCE OF EXISTING TRAFFIC SIGNAL INSTALLATION
1	EACH	TRAFFIC SIGNAL POST, GALVANIZED STEEL 14 FT.
3	EACH	TRAFFIC SIGNAL POST, GALVANIZED STEEL 16 FT.
1	EACH	SIGNAL HEAD, LED, 1-FACE, 3-SECTION, MAST-ARM MOUNTED
2	EACH	SIGNAL HEAD, LED, 1-FACE, 3-SECTION, BRACKET MOUNTED
3	EACH	SIGNAL HEAD, LED, 1-FACE, 5-SECTION, BRACKET MOUNTED
3	EACH	SIGNAL HEAD, LED, 1-FACE, 5-SECTION, MAST-ARM MOUNTED
4	EACH	PEDESTRIAN SIGNAL HEAD, LED, 2-FACE, BRACKET MOUNTED WITH COUNTDOWN TIMER
4	EACH	TRAFFIC SIGNAL BACKPLATE, LOUVERED, ALUMINUM
1	EACH	MODIFY EXISTING CONTROLLER CABINET
1	EACH	REMOVE EXISTING TRAFFIC SIGNAL EQUIPMENT
1	EACH	UNINTERRUPTABLE POWER SUPPLY, SPECIAL
2	EACH	REMOVE AND REPLACE ANCHOR BOLTS

CABLE PLAN



REMOVAL OF EXISTING TRAFFIC SIGNAL EQUIPMENT

THE FOLLOWING ITEMS SHALL BE REMOVED BY THE CONTRACTOR AND SHALL BE DISPOSED OF BY THEM OUTSIDE THE RIGHT-OF-WAY AT THEIR EXPENSE. THE SALVAGE VALUE OF THE REMOVED EQUIPMENT SHALL BE REFLECTED IN THE CONTRACT BID PRICE.

- 4 EACH TRAFFIC SIGNAL POST
- 3 EACH SIGNAL HEAD, 3-SECTION
- 6 EACH SIGNAL HEAD, 5-SECTION
- 8 EACH PEDESTRIAN SIGNAL HEAD

ECONOLITE ASC/2-2100
CONTROLLER ON-SITE

TRAFFIC SIGNAL EQUIPMENT
SHALL BE ECONOLITE TO
MATCH THE ADJACENT
EXISTING SYSTEM

TS# 10740
HOMWOOD

I.D.O.T. TRAFFIC SIGNAL INSTALLATION ELECTRICAL SERVICE REQUIREMENTS					TOTAL WATTAGE
TYPE	NO LAMPS	WATTAGE		%OPERATION	
		INCAND.	LED		
SIGNAL (RED)	9		17	0.5	76.5
(YELLOW)	9		25	0.25	56.25
(GREEN)	9		15	0.25	33.75
ARROW	10		12	0.10	12
PED. SIGNAL	8		25	1.00	200
CONTROLLER	1		100	1.00	100
ILLUM. SIGN			25	0.05	-
VIDEO SYSTEM			-	1.00	-
FLASHER			-	-	-
ENERGY COSTS TO:					TOTAL = 478.5
ILLINOIS DEPARTMENT OF TRANSPORTATION 201 WEST CENTER COURT SCHAUMBURG, ILLINOIS 60196-1096 ENERGY SUPPLY CONTACT: ILYAS MOHIUDDIN PHONE: (708) 235-2692 COMPANY: COMMONWEALTH EDISON					
FILE NAME =	USER NAME = .USER_	DESIGNED - V.O.	REVISED -		
J:\13155\60Y42\DCN\CADD Sheets\0160Y42	ht-ts-06.10740.dgn	DRAWN - E.C.	REVISED -		
	PLOT SCALE = 20.0000' / 1"	CHECKED - I.Y.	REVISED -		
	PLOT DATE = 7/9/2014	DATE - 7/11/2014	REVISED -		

STATE OF ILLINOIS
DEPARTMENT OF TRANSPORTATION

SCHEDULE OF QUANTITIES, CABLE PLAN, PHASE DESIGNATION DIAGRAM, AND
EMERGENCY VEHICLE PREEMPTION SEQUENCE
DIXIE HIGHWAY AT RIDGE ROAD

SCALE: NTS SHEET NO. 1 OF 1 SHEETS STA. N/A TO STA. N/A

F.A.P. RTE.	SECTION	COUNTY	TOTAL SHEETS	SHEET NO.
	2014-044TS	COOK	65	21
CONTRACT NO. 60Y42				
ILLINOIS FED. AID PROJECT				