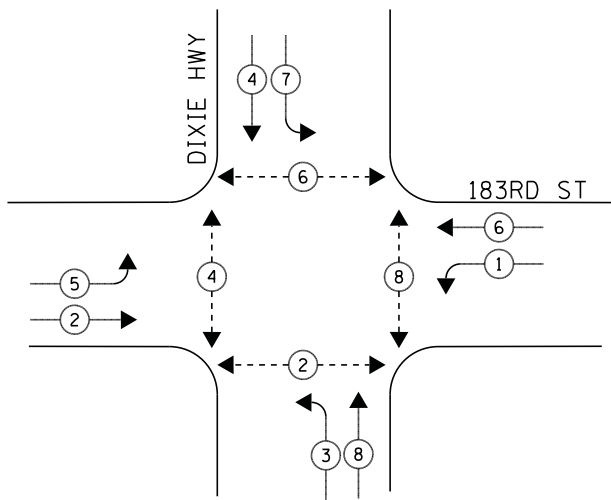
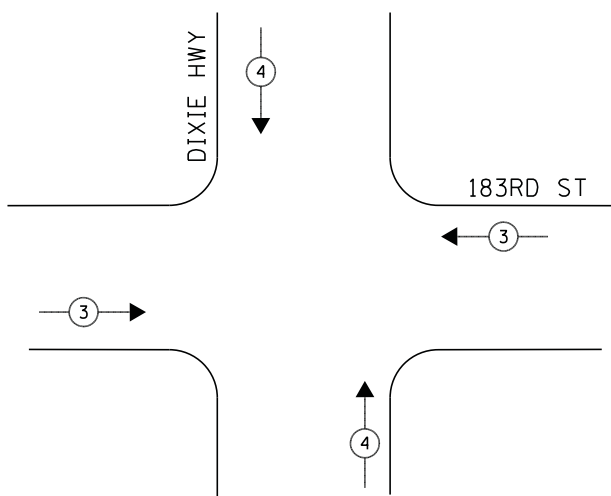


CONTROLLER SEQUENCE



PHASE DESIGNATION DIAGRAM

EMERGENCY VEHICLE PREEMPTION SEQUENCE



LEGEND

- ◀ * → DUAL ENTRY PHASE
- ◀ * → SINGLE ENTRY PHASE
- ◊ O.L. OVERLAP
- ◀ * → PEDESTRIAN PHASE
NUMBER REFERS TO ASSOCIATED PHASE

① REPLACE 16FT. PAINTED POST, RE-USE EXISTING FOUNDATION

EMERGENCY VEHICLE PREEMPTORS		
EMERGENCY VEHICLE PREEMPTOR	3	4
MOVEMENT	↔	↕

SCHEDULE OF QUANTITIES

QUANTITY	UNIT	ITEM
1	EACH	MAINTENANCE OF EXISTING TRAFFIC SIGNAL INSTALLATION
4	EACH	TRAFFIC SIGNAL POST, GALVANIZED STEEL 16 FT.
4	EACH	SIGNAL HEAD, LED, 1-FACE, 3-SECTION, MAST-ARM MOUNTED
4	EACH	SIGNAL HEAD, LED, 1-FACE, 5-SECTION, BRACKET MOUNTED
4	EACH	SIGNAL HEAD, LED, 1-FACE, 5-SECTION, MAST-ARM MOUNTED
8	EACH	PEDESTRIAN SIGNAL HEAD, LED, 1-FACE, BRACKET MOUNTED WITH COUNTDOWN TIMER
8	EACH	TRAFFIC SIGNAL BACKPLATE, LOUVERED, ALUMINUM
8	EACH	PEDESTRIAN PUSH-BUTTON
1	EACH	MODIFY EXISTING CONTROLLER CABINET
1	EACH	REMOVE EXISTING TRAFFIC SIGNAL EQUIPMENT
1	EACH	UNINTERRUPTIBLE POWER SUPPLY, SPECIAL
2	EACH	REMOVE AND REPLACE ANCHOR BOLTS

REMOVAL OF EXISTING TRAFFIC SIGNAL EQUIPMENT

THE FOLLOWING ITEMS SHALL BE REMOVED BY THE CONTRACTOR AND SHALL BE DISPOSED OF BY THEM OUTSIDE THE RIGHT-OF-WAY AT THEIR EXPENSE. THE SALVAGE VALUE OF THE REMOVED EQUIPMENT SHALL BE REFLECTED IN THE CONTRACT BID PRICE.

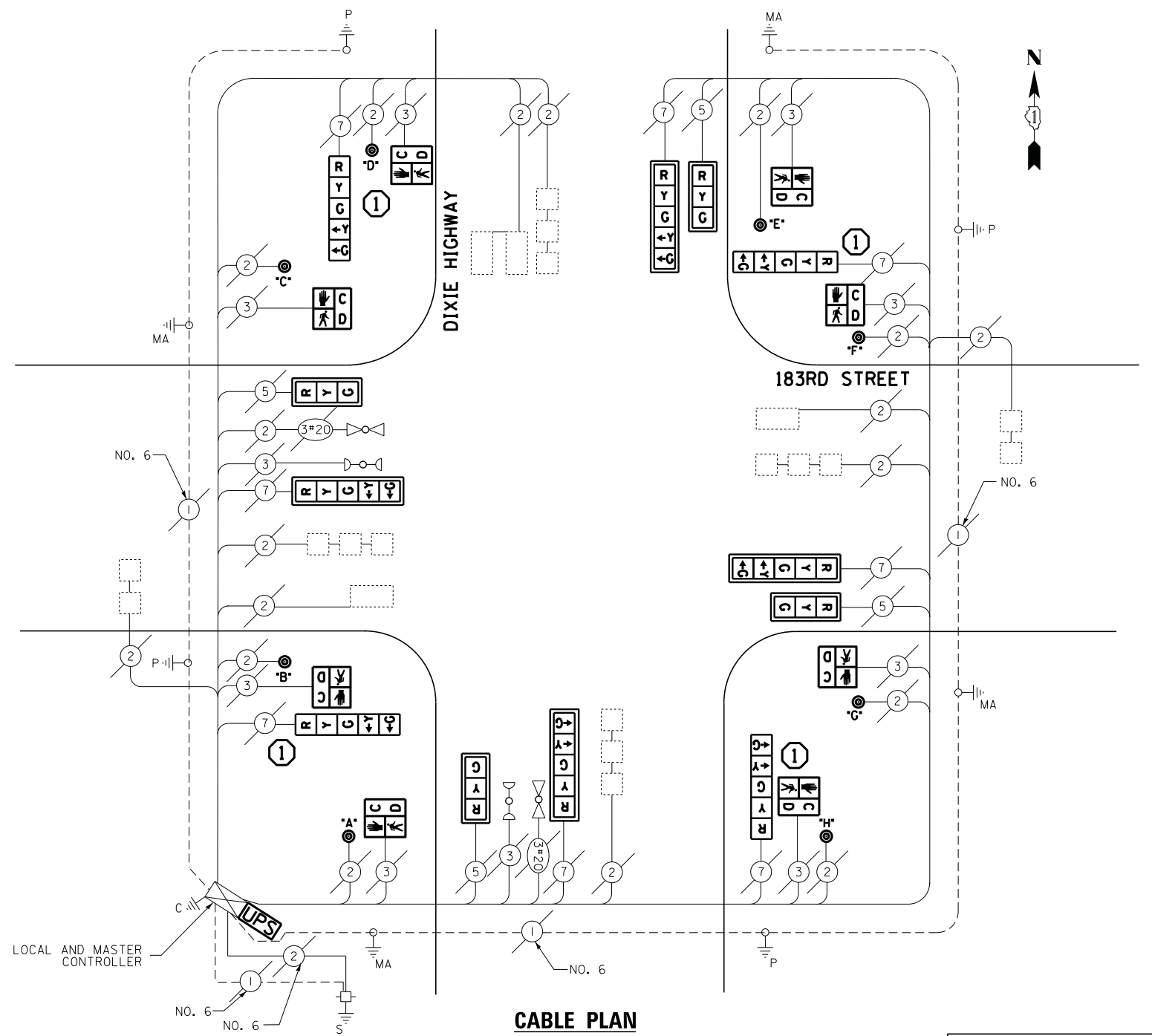
4	EACH	TRAFFIC SIGNAL POST
4	EACH	SIGNAL HEAD, 3-SECTION
8	EACH	SIGNAL HEAD, 5-SECTION
8	EACH	PEDESTRIAN SIGNAL HEAD
8	EACH	TRAFFIC SIGNAL BACKPLATE
8	EACH	PEDESTRIAN PUSH-BUTTON

EAGLE EPAC 300
LOCAL CONTROLLER

EAGLE MARC 300
MASTER CONTROLLER

TRAFFIC SIGNAL EQUIPMENT
SHALL BE EAGLE TO
MATCH THE ADJACENT
EXISTING SYSTEM

TS# 11145
HOMWOOD



CABLE PLAN

I.D.O.T. TRAFFIC SIGNAL INSTALLATION ELECTRICAL SERVICE REQUIREMENTS					TOTAL WATTAGE
TYPE	NO LAMPS	WATTAGE		%OPERATION	
		INCAND.	LED		
SIGNAL (RED)	12		17	0.5	102
(YELLOW)	12		25	0.25	75
(GREEN)	12		15	0.25	45
ARROW	16		12	0.10	38.4
PED. SIGNAL	8		25	1.00	200
CONTROLLER	1		100	1.00	100
ILLUM. SIGN			25	0.05	-
VIDEO SYSTEM			-	1.00	-
FLASHER			-	-	-
ENERGY COSTS TO:					TOTAL = 560.4
ILLINOIS DEPARTMENT OF TRANSPORTATION 201 WEST CENTER COURT SCHAUMBURG, ILLINOIS 60196-1096					
ENERGY SUPPLY CONTACT: ILYAS MOHIUDDIN PHONE: (708) 235-2692 COMPANY: COMMONWEALTH EDISON					
FILE NAME =	USER NAME =	DESIGNED -	V.O.	REVISED -	
J:\13155\60Y42\DCN\CADD Sheets\DI60Y42	ht-ts-10_11145.dgn	DRAWN -	E.C.	REVISED -	
	PLOT SCALE = 20.0000' / in.	CHECKED -	I.Y.	REVISED -	
	PLOT DATE = 7/9/2014	DATE -	7/11/2014	REVISED -	

STATE OF ILLINOIS
DEPARTMENT OF TRANSPORTATION

SCHEDULE OF QUANTITIES, CABLE PLAN, PHASE DESIGNATION DIAGRAM, AND
EMERGENCY VEHICLE PREEMPTION SEQUENCE
183RD STREET AT DIXIE HIGHWAY

SCALE: NTS SHEET NO. 1 OF 1 SHEETS STA. N/A TO STA. N/A

F.A.P. RTE.	SECTION	COUNTY	TOTAL SHEETS	SHEET NO.
	2014-044TS	COOK	65	25
CONTRACT NO. 60Y42				
ILLINOIS FED. AID PROJECT				