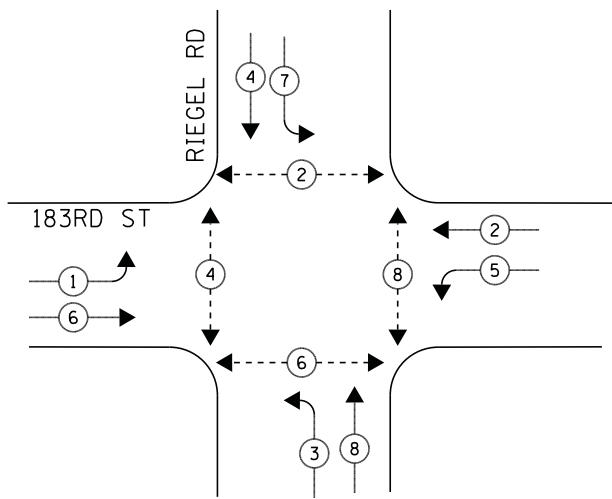
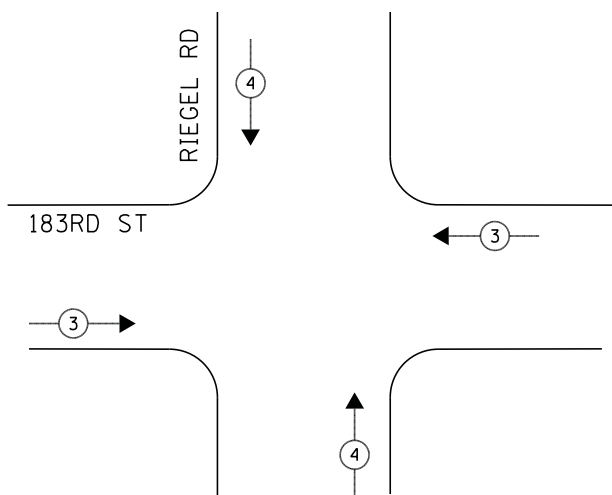


**CONTROLLER SEQUENCE**



**PHASE DESIGNATION DIAGRAM**

**EMERGENCY VEHICLE PREEMPTION SEQUENCE**



**LEGEND**

- ◀ \* → DUAL ENTRY PHASE
- ◀ \* → SINGLE ENTRY PHASE
- ◊ O.L. OVERLAP
- ◀ \* → PEDESTRIAN PHASE  
NUMBER REFERS TO ASSOCIATED PHASE

① REPLACE 16FT. PAINTED POST, RE-USE EXISTING FOUNDATION

EMERGENCY VEHICLE PREEMPTORS		
EMERGENCY VEHICLE PREEMPTOR	3	4
MOVEMENT	↔	↕

**SCHEDULE OF QUANTITIES**

QUANTITY	UNIT	ITEM
1	EACH	MAINTENANCE OF EXISTING TRAFFIC SIGNAL INSTALLATION
3	EACH	TRAFFIC SIGNAL POST, GALVANIZED STEEL 16 FT.
4	EACH	SIGNAL HEAD, LED, 1-FACE, 3-SECTION, MAST-ARM MOUNTED
4	EACH	SIGNAL HEAD, LED, 1-FACE, 5-SECTION, BRACKET MOUNTED
4	EACH	SIGNAL HEAD, LED, 1-FACE, 5-SECTION, MAST-ARM MOUNTED
8	EACH	PEDESTRIAN SIGNAL HEAD, LED, 1-FACE, BRACKET MOUNTED WITH COUNTDOWN TIMER
8	EACH	TRAFFIC SIGNAL BACKPLATE, LOUVERED, ALUMINUM
8	EACH	PEDESTRIAN PUSH-BUTTON
1	EACH	MODIFY EXISTING CONTROLLER CABINET
1	EACH	REMOVE EXISTING TRAFFIC SIGNAL EQUIPMENT
1	EACH	UNINTERRUPTABLE POWER SUPPLY, SPECIAL
2	EACH	REMOVE AND REPLACE ANCHOR BOLTS

**REMOVAL OF EXISTING TRAFFIC SIGNAL EQUIPMENT**

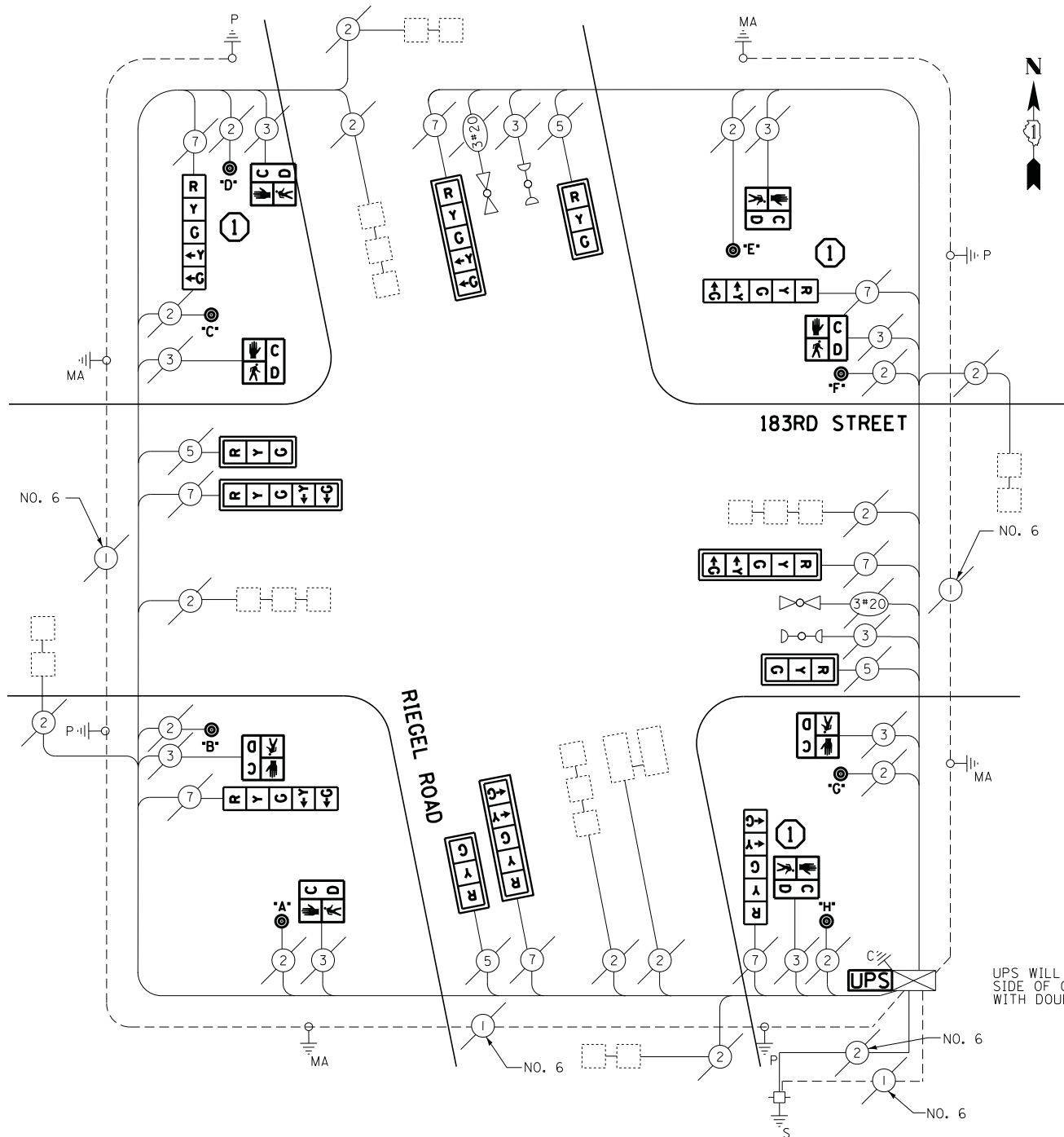
THE FOLLOWING ITEMS SHALL BE REMOVED BY THE CONTRACTOR AND SHALL BE DISPOSED OF BY THEM OUTSIDE THE RIGHT-OF-WAY AT THEIR EXPENSE. THE SALVAGE VALUE OF THE REMOVED EQUIPMENT SHALL BE REFLECTED IN THE CONTRACT BID PRICE.

3	EACH	TRAFFIC SIGNAL POST
4	EACH	SIGNAL HEAD, 3-SECTION
8	EACH	SIGNAL HEAD, 5-SECTION
8	EACH	PEDESTRIAN SIGNAL HEAD
8	EACH	TRAFFIC SIGNAL BACKPLATE
8	EACH	PEDESTRIAN PUSH-BUTTON

ECONOLITE ASC/3-2100  
CONTROLLER ON-SITE

TRAFFIC SIGNAL EQUIPMENT  
SHALL BE ECONOLITE TO  
MATCH THE ADJACENT  
EXISTING SYSTEM

TS# 4110  
HOMWOOD



**CABLE PLAN**

UPS WILL BE INSTALLED ON LEFT SIDE OF CABINET DUE TO CONFLICT WITH DOUBLE HANDLES

I.D.O.T. TRAFFIC SIGNAL INSTALLATION ELECTRICAL SERVICE REQUIREMENTS					TOTAL WATTAGE
TYPE	NO LAMPS	WATTAGE		%OPERATION	
		INCAND.	LED		
SIGNAL (RED)	12		17	0.5	102
(YELLOW)	12		25	0.25	75
(GREEN)	12		15	0.25	45
ARROW	16		12	0.10	19.2
PED. SIGNAL	8		25	1.00	200
CONTROLLER	1		100	1.00	100
ILLUM. SIGN			25	0.05	-
VIDEO SYSTEM			-	1.00	-
FLASHER			-	-	-
ENERGY COSTS TO:					TOTAL = 541.2
ILLINOIS DEPARTMENT OF TRANSPORTATION 201 WEST CENTER COURT SCHAUMBURG, ILLINOIS 60196-1096 ENERGY SUPPLY CONTACT: ILYAS MOHIUDDIN PHONE: (708) 235-2692 COMPANY: COMMONWEALTH EDISON					
FILE NAME =	USER NAME = .USER.	DESIGNED - V.O.	REVISED -		
J:\13155\60Y42\DCN\CADD Sheets\0160Y42	ht-ts-11.4110.dgn	DRAWN - E.C.	REVISED -		
	PLOT SCALE = 20.0000' / 1"	CHECKED - I.Y.	REVISED -		
	PLOT DATE = 7/9/2014	DATE - 7/11/2014	REVISED -		

STATE OF ILLINOIS  
DEPARTMENT OF TRANSPORTATION

SCHEDULE OF QUANTITIES, CABLE PLAN, PHASE DESIGNATION DIAGRAM, AND  
EMERGENCY VEHICLE PREEMPTION SEQUENCE  
183RD STREET AT RIEGEL ROAD

SCALE: NTS SHEET NO. 1 OF 1 SHEETS STA. N/A TO STA. N/A

F.A.P. RTE.	SECTION	COUNTY	TOTAL SHEETS	SHEET NO.
	2014-044TS	COOK	65	26
CONTRACT NO. 60Y42				
ILLINOIS FED. AID PROJECT				