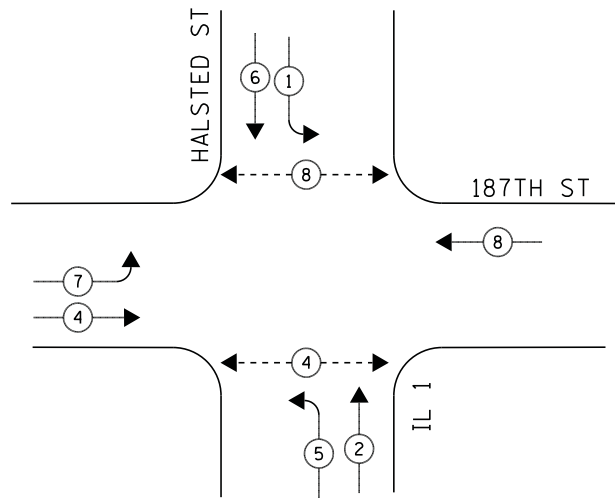
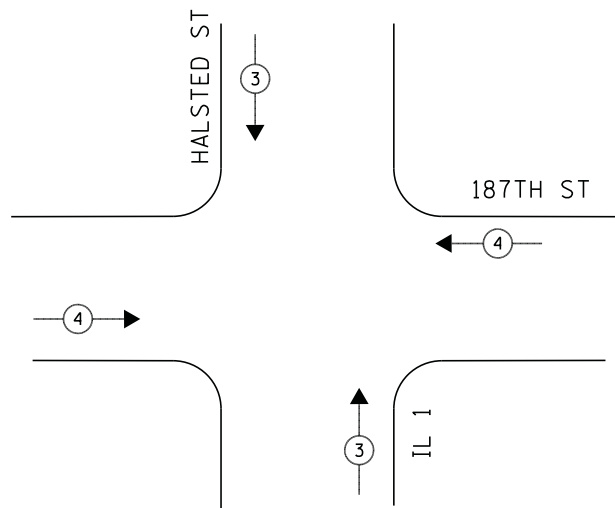


**CONTROLLER SEQUENCE**



**PHASE DESIGNATION DIAGRAM**

**EMERGENCY VEHICLE PREEMPTION SEQUENCE**



**LEGEND**

- ◀ \* → DUAL ENTRY PHASE
- ◀ \* → SINGLE ENTRY PHASE
- ◀ O.L. → OVERLAP
- ◀ \* → PEDESTRIAN PHASE  
NUMBER REFERS TO ASSOCIATED PHASE

- ① REPLACE 14FT. PAINTED POST, RE-USE EXISTING FOUNDATION
- ② REPLACE 16FT. PAINTED POST, RE-USE EXISTING FOUNDATION

**NOTE:**

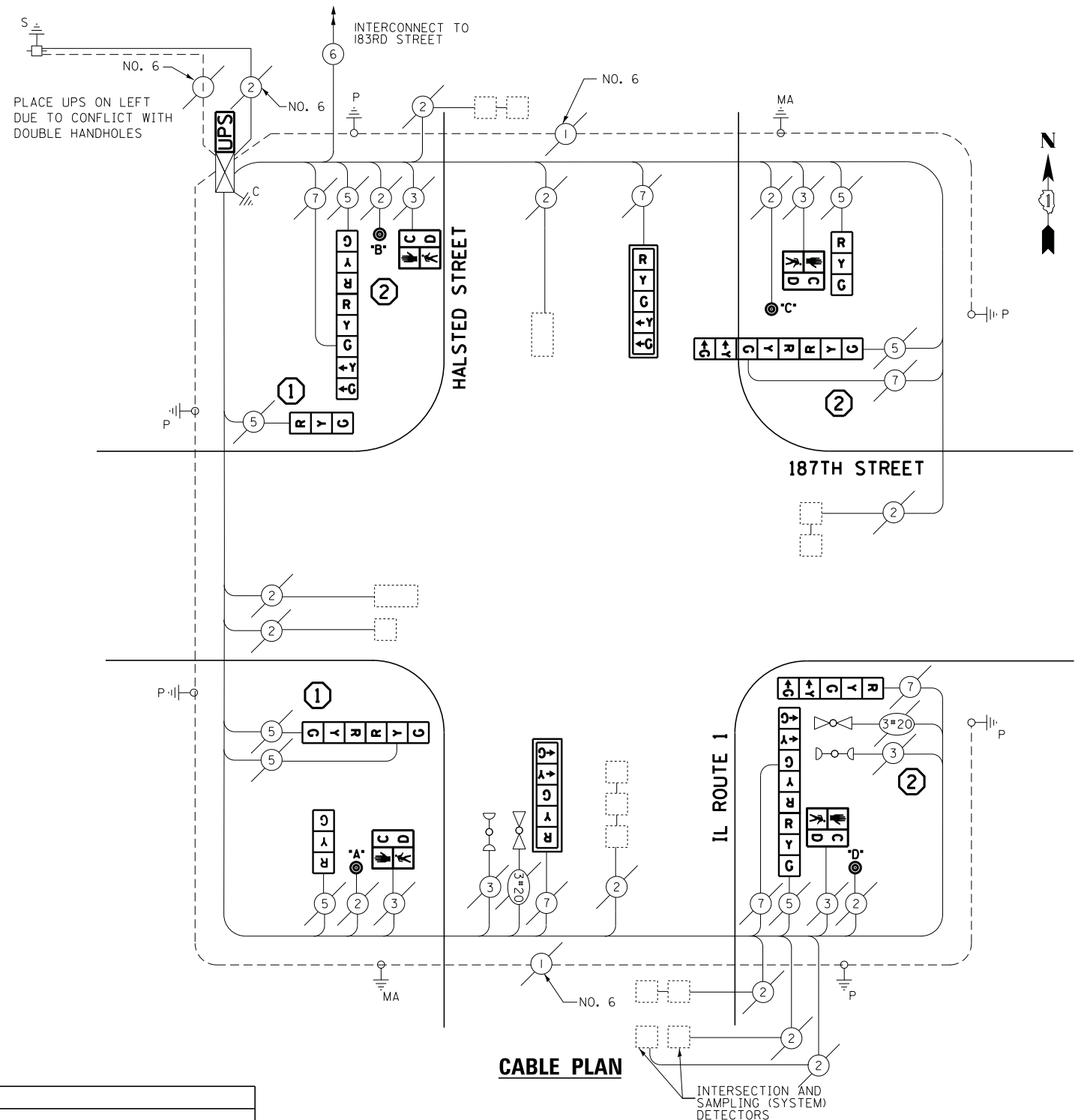
RELOCATION OF EVP WILL BE INCLUDED IN THE COST OF REPLACING THE TRAFFIC SIGNAL POST.

EMERGENCY VEHICLE PREEMPTORS		
EMERGENCY VEHICLE PREEMPTOR	3	4
MOVEMENT	↑↓	↔

**SCHEDULE OF QUANTITIES**

QUANTITY	UNIT	ITEM
1	EACH	MAINTENANCE OF EXISTING TRAFFIC SIGNAL INSTALLATION
2	EACH	TRAFFIC SIGNAL POST, GALVANIZED STEEL 14 FT.
3	EACH	TRAFFIC SIGNAL POST, GALVANIZED STEEL 16 FT.
3	EACH	SIGNAL HEAD, LED, 1-FACE, 3-SECTION, BRACKET MOUNTED
1	EACH	SIGNAL HEAD, LED, 1-FACE, 5-SECTION, BRACKET MOUNTED
2	EACH	SIGNAL HEAD, LED, 1-FACE, 5-SECTION, MAST-ARM MOUNTED
1	EACH	SIGNAL HEAD, LED, 2-FACE, 3-SECTION, BRACKET MOUNTED
3	EACH	SIGNAL HEAD, LED, 2-FACE, 1-3 SECTION, 1-5 SECTION, BRACKET MOUNTED
4	EACH	PEDESTRIAN SIGNAL HEAD, LED, 1-FACE, BRACKET MOUNTED WITH COUNTDOWN TIMER
2	EACH	TRAFFIC SIGNAL BACKPLATE, LOUVERED, ALUMINUM
4	EACH	PEDESTRIAN PUSH-BUTTON
1	EACH	MODIFY EXISTING CONTROLLER CABINET
1	EACH	REMOVE EXISTING TRAFFIC SIGNAL EQUIPMENT
1	EACH	UNINTERRUPTIBLE POWER SUPPLY, SPECIAL
2	EACH	REMOVE AND REPLACE ANCHOR BOLTS

**CABLE PLAN**



**REMOVAL OF EXISTING TRAFFIC SIGNAL EQUIPMENT**

THE FOLLOWING ITEMS SHALL BE REMOVED BY THE CONTRACTOR AND SHALL BE DISPOSED OF BY THEM OUTSIDE THE RIGHT-OF-WAY AT THEIR EXPENSE. THE SALVAGE VALUE OF THE REMOVED EQUIPMENT SHALL BE REFLECTED IN THE CONTRACT BID PRICE.

- 5 EACH TRAFFIC SIGNAL POST
- 8 EACH SIGNAL HEAD, 3-SECTION
- 6 EACH SIGNAL HEAD, 5-SECTION
- 4 EACH PEDESTRIAN SIGNAL HEAD
- 2 EACH TRAFFIC SIGNAL BACKPLATE
- 4 EACH PEDESTRIAN PUSH-BUTTON

ECONOLITE ASC/2S-2100  
CONTROLLER ON-SITE

TRAFFIC SIGNAL EQUIPMENT  
SHALL BE ECONOLITE TO  
MATCH THE ADJACENT  
EXISTING SYSTEM

TS# 1840  
HOMWOOD

I.D.O.T. TRAFFIC SIGNAL INSTALLATION ELECTRICAL SERVICE REQUIREMENTS					TOTAL WATTAGE
TYPE	NO LAMPS	WATTAGE		%OPERATION	
		INCAND.	LED		
SIGNAL (RED)	14		17	0.5	119
(YELLOW)	14		25	0.25	87.5
(GREEN)	14		15	0.25	52.5
ARROW	12		12	0.10	14.4
PED. SIGNAL	4		25	1.00	100
CONTROLLER	1		100	1.00	100
ILLUM. SIGN			25	0.05	-
VIDEO SYSTEM				1.00	-
FLASHER					
ENERGY COSTS TO:					TOTAL = 473.4
ILLINOIS DEPARTMENT OF TRANSPORTATION 201 WEST CENTER COURT SCHAUMBURG, ILLINOIS 60196-1096 ENERGY SUPPLY CONTACT: ILYAS MOHIUDDIN PHONE: (708) 235-2692 COMPANY: COMMONWEALTH EDISON					
FILE NAME =	USER NAME =	DESIGNED -	V.O.	REVISED -	
J:\13155\60Y42\DCN\CADD Sheets\0160Y42	ht-ts-16.1840.dgn	DRAWN -	E.C.	REVISED -	
	PLOT SCALE = 20.0000' / 1"	CHECKED -	I.Y.	REVISED -	
	PLOT DATE = 7/9/2014	DATE -	7/11/2014	REVISED -	

STATE OF ILLINOIS  
DEPARTMENT OF TRANSPORTATION

SCHEDULE OF QUANTITIES, CABLE PLAN, PHASE DESIGNATION DIAGRAM, AND  
EMERGENCY VEHICLE PREEMPTION SEQUENCE  
IL ROUTE 1 (HALSTED STREET) AT 187TH STREET

SCALE: NTS SHEET NO. 1 OF 1 SHEETS STA. N/A TO STA. N/A

F.A.P. RTE.	SECTION	COUNTY	TOTAL SHEETS	SHEET NO.
	2014-044TS	COOK	65	31
CONTRACT NO. 60Y42				
ILLINOIS FED. AID PROJECT				