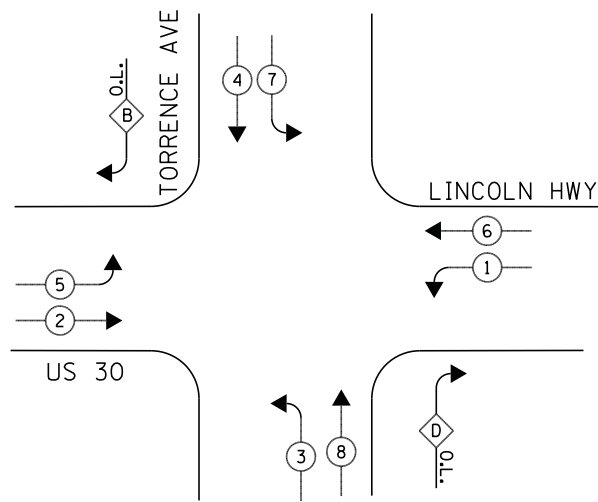
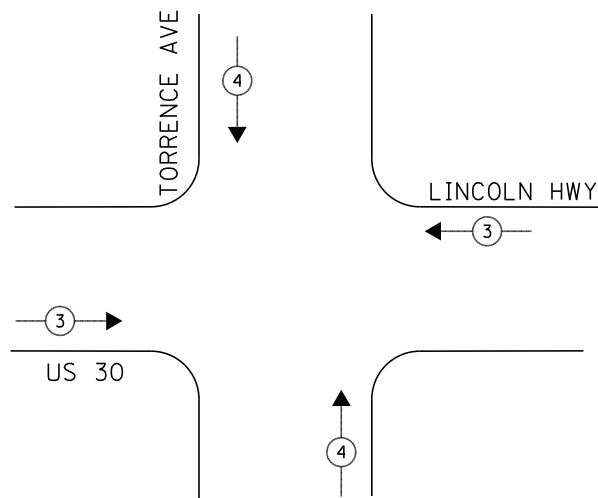


**CONTROLLER SEQUENCE**



**PHASE DESIGNATION DIAGRAM**

**EMERGENCY VEHICLE PREEMPTION SEQUENCE**



**LEGEND**

- ◀ \* → DUAL ENTRY PHASE
- ◀ \* → SINGLE ENTRY PHASE
- ◊ O.L. OVERLAP
- ◀ \* → PEDESTRIAN PHASE  
NUMBER REFERS TO ASSOCIATED PHASE

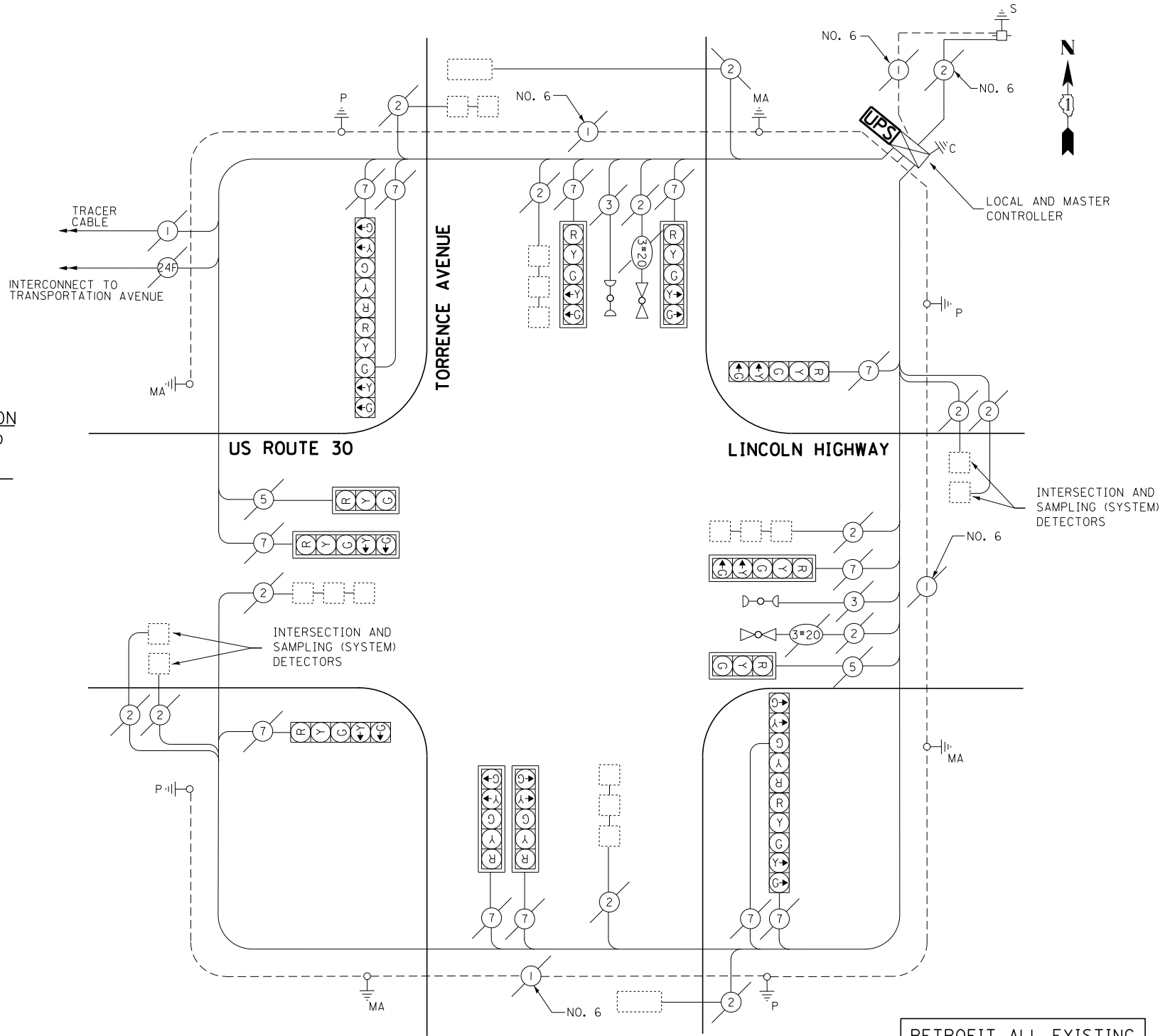
**RIGHT TURN OVERLAP PHASE DESIGNATION**

OVERLAP LETTER	PERMISSIVE PHASE	PROTECTED PHASE
B	= 4	+ 5
D	= 8	+ 1

EMERGENCY VEHICLE PREEMPTORS		
EMERGENCY VEHICLE PREEMPTOR	3	4
MOVEMENT	↔	↕

**SCHEDULE OF QUANTITIES**

QUANTITY	UNIT	ITEM
1	EACH	MAINTENANCE OF EXISTING TRAFFIC SIGNAL INSTALLATION
1	EACH	MODIFY EXISTING CONTROLLER CABINET
1	EACH	UNINTERRUPTABLE POWER SUPPLY, SPECIAL



**CABLE PLAN**

RETROFIT ALL EXISTING SIGNAL HEADS TO L.E.D.

ECONOLITE ASC/2M-1000 MASTER CONTROLLER

ECONOLITE ASC/2S-1000 LOCAL CONTROLLER

TRAFFIC SIGNAL EQUIPMENT SHALL BE EAGLE TO MATCH THE ADJACENT EXISTING SYSTEM

I.D.O.T. TRAFFIC SIGNAL INSTALLATION ELECTRICAL SERVICE REQUIREMENTS					TOTAL WATTAGE
TYPE	NO LAMPS	WATTAGE		%OPERATION	
		INCAND.	LED		
SIGNAL (RED)	14		17	0.5	85
(YELLOW)	14		25	0.25	87.5
(GREEN)	14		15	0.25	52.5
ARROW	24		12	0.10	28.8
PED. SIGNAL	-		25	1.00	-
CONTROLLER	1		100	1.00	100
ILLUM. SIGN			25	0.05	-
VIDEO SYSTEM			-	1.00	-
FLASHER				-	-
ENERGY COSTS TO:					TOTAL = 387.8

ILLINOIS DEPARTMENT OF TRANSPORTATION  
201 WEST CENTER COURT  
SCHAUMBURG, ILLINOIS 60196-1096  
ENERGY SUPPLY CONTACT: ILYAS MOHIUDDIN  
PHONE: (708) 235-2692  
COMPANY: COMMONWEALTH EDISON

FILE NAME = J:\13155\60Y42\DCN\CADD Sheets\0160Y42	USER NAME = .USER_	DESIGNED - V.O.	REVISED -
		DRAWN - E.C.	REVISED -
		CHECKED - I.Y.	REVISED -
		DATE - 7/11/2014	REVISED -

STATE OF ILLINOIS  
DEPARTMENT OF TRANSPORTATION

SCHEDULE OF QUANTITIES, CABLE PLAN, PHASE DESIGNATION DIAGRAM, AND EMERGENCY VEHICLE PREEMPTION SEQUENCE  
US ROUTE 30 (LINCOLN HIGHWAY) AT TORRENCE AVENUE

SCALE: NTS SHEET NO. 1 OF 1 SHEETS STA. N/A TO STA. N/A

F.A.P. RTE.	SECTION	COUNTY	TOTAL SHEETS	SHEET NO.
	2014-044TS	COOK	65	61
CONTRACT NO. 60Y42				
ILLINOIS FED. AID PROJECT				

TS# 1415  
SAUK VILLAGE