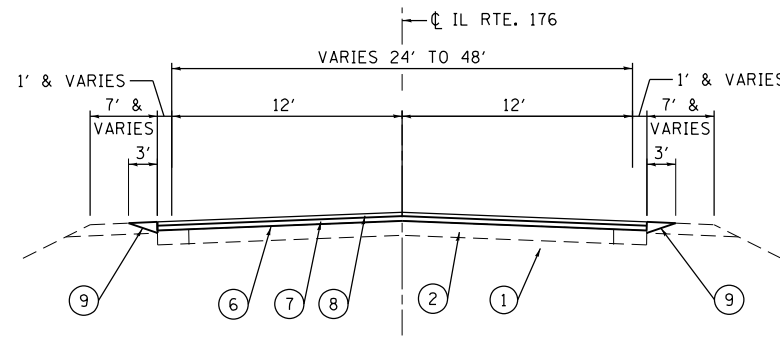
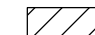


EXISTING TYPICAL SECTION
STA. 507+56 TO STA. 701+75



PROPOSED TYPICAL SECTION
STA. 507+56 TO STA. 701+75

LEGEND

-  REMOVAL
- ① EXISTING PCC PAVEMENT (9'-7"-9')
- ② EXISTING HMA SURFACE COURSE (±5/4")
- ③ EXISTING PCC BASE COURSE WIDENING (±9')
- ④ EXISTING STABILIZED SHOULDER (±8')**
- ⑤ EXISTING AGGREGATE SHOULDER (±7')
- ⑥ PROPOSED HMA SURFACE REMOVAL, 2 1/4"
- ⑦ PROPOSED POLYMERIZED LEVELING BINDER (MACHINE METHOD), IL-4.75, N50, 3/4"
- ⑧ PROPOSED HOT MIX ASPHALT SURFACE COURSE, MIX "D", N70, 1 1/2"
- ⑨ PROPOSED AGGREGATE WEDGE SHOULDER, TYPE B

**STA. 601+93 TO STA. 605+95
STA. 607+06 TO STA. 610+93

HMA MIXTURE REQUIREMENTS CHART

OPERATION	MIXTURE TYPE	AIR VOIDS (%) @ Ndes	QUALITY MANAGEMENT PROGRAM (OMP)
PAVEMENT RESURFACING	HOT-MIX ASPHALT SURFACE COURSE, MIX "D", N70 (IL 9.5mm), 1 1/2"	4% @ 70 GYR.	OCP
	POLYMERIZED LEVELING BINDER (MACHINE METHOD), IL-4.75, N50, 3/4"	3.5% @ 50 GYR.	OCP
PATCHING	CLASS D PATCHES - (HMA BINDER IL-19 mm)	4% @ 70 GYR.	OCP

OMP DESIGNATION: QUALITY CONTROL FOR PERFORMANCE (OCP)

- NOTE: 1. THE UNIT WEIGHT USED TO CALCULATE ALL HMA MIXTURE QUANTITIES IS 112 LBS/SQ YD/IN
2. THE "AC TYPE" FOR POLYMERIZED HMA MIXES SHALL BE "SBS/SBR PG 76-22" AND FOR NON-POLYMERIZED HMA THE "AC TYPE" SHALL BE "PG 64-22" UNLESS MODIFIED BY DISTRICT ONE SPECIAL PROVISIONS.
3. FOR USE OF RECYCLED MATERIALS SEE SPECIAL PROVISIONS.
4. QUALITY MANAGEMENT PROGRAM (OMP) IDENTIFIES THE PARTICULAR QUALITY CONTROL SPECIFICATION THAT APPLIES TO THE HMA MIXTURE

NOTE:
CONTRACTOR SHALL MILL FIRST BEFORE PATCHING

FILE NAME = \$FILEL\$



USER NAME = Pprathapan	DESIGNED - JMT	REVISED -
	DRAWN - JN	REVISED -
PLOT SCALE = 20.0000' / in.	CHECKED - TM	REVISED -
PLOT DATE = 7/16/2014	DATE - 07/14/2014	REVISED -

**STATE OF ILLINOIS
DEPARTMENT OF TRANSPORTATION**

**IL RTE. 176 FROM IL RTE. 47 TO US RTE. 14 (VIRGINIA ST.)
EXISTING AND PROPOSED TYPICAL SECTIONS**

SCALE: SHEET OF SHEETS STA. TO STA.

F.A.P. RTE.	SECTION	COUNTY	TOTAL SHEETS	SHEET NO.
335	(105&120)RS-8	McHENRY	21	5
CONTRACT NO. 60Y59				
ILLINOIS FED. AID PROJECT				