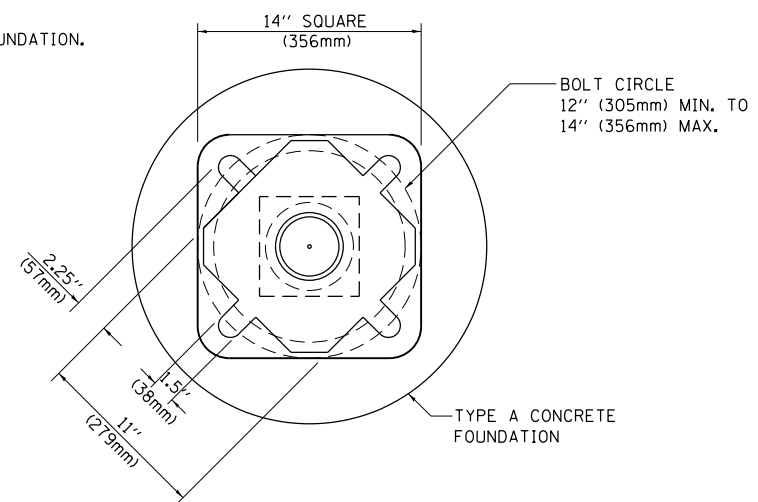


**SIGN TABLE**

SIGN	DIMENSIONS
R10-3b	9" (228mm) X 12" (305mm)
R10-3d	9" (228mm) X 12" (305mm)
R10-3e	9" (228mm) X 15" (381mm)



**BOLT PATTERN**

**PEDESTRIAN PUSH BUTTON POST, TYPE A**

FILE NAME =	USER NAME = paraynoal	DESIGNED - DAG	REVISED - DAG 1-1-14
et:\pw\work\pwidot\paraynoal\0402259\015std.dgn		DRAWN - GND	REVISED -
PLOT SCALE = 100.0000' / 1in.		CHECKED - DAD	REVISED -
PLOT DATE = 7/16/2014		DATE - 10/1/2012	REVISED -

**STATE OF ILLINOIS  
DEPARTMENT OF TRANSPORTATION**

**DISTRICT ONE  
STANDARD TRAFFIC SIGNAL DESIGN DETAILS**

SCALE: NONE    SHEET NO. 7 OF 7 SHEETS    STA.    TO STA.

F.A.P. RTE.	SECTION	COUNTY	TOTAL SHEETS	SHEET NO.
341	109RS-4	KANE	29	28
<b>TS-05</b>			<b>CONTRACT NO. 60Y62</b>	
FED. ROAD DIST. NO. 1   ILLINOIS FED. AID PROJECT				