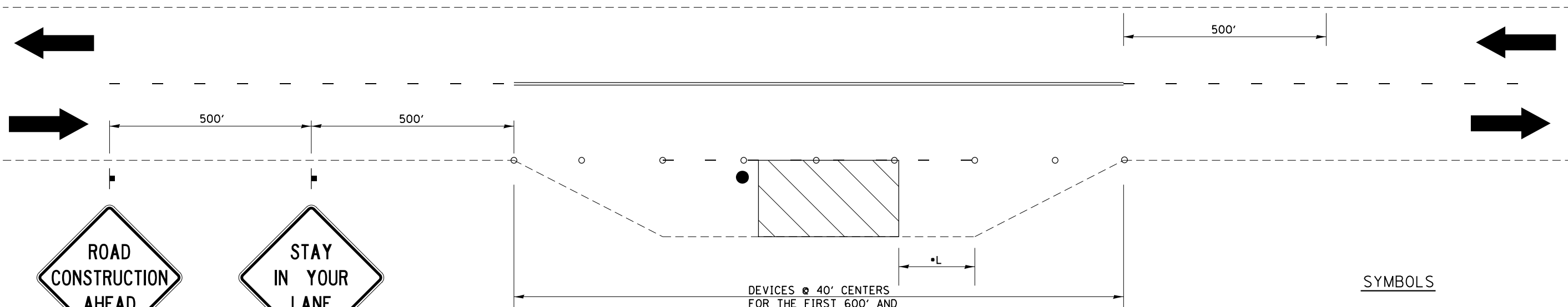


TRAFFIC CONTROL FOR THREE LANE SECTION CASE 2

W20-1103(0)-48



W20-1103(0)-48



DEVICES @ 40' CENTERS
FOR THE FIRST 600' AND
THEN 80' CENTERS

SYMBOLS

- WORK AREA
- SIGN
- FLAGGER WITH TRAFFIC CONTROL SIGN
- CONE, DRUM OR BARRICADE

Note: Flagger needed only if more than 4 trucks enter or leave in an hour and a "Flagger" symbol sign (W20-7(0)-48) shall be placed in advance of the flagger.

THIS TRAFFIC CONTROL DETAIL SHALL BE INCLUDED IN THE COST OF SPECIFIED TRAFFIC CONTROL STANDARDS OR ITEMS.

*IF THE WORK ENDS WITHIN 2500 FEET OF THE TRANSITION WHEN THE SPEED IS > 40 MPH OR 1500 FEET FOR ALL OTHER SPEEDS, THE CLIMBING LANE SHALL REMAIN CLOSED AS SHOWN.

FILE NAME =	USER NAME = dtzlerse	DESIGNED -	REVISED - 8-27-13	STATE OF ILLINOIS DEPARTMENT OF TRANSPORTATION	REGION 2 / DISTRICT 2 STANDARD	F.A.P. RTE.	SECTION	COUNTY	TOTAL SHEETS	SHEET NO.	
		DRAWN -	REVISED - 7-30-13			306	106M-4	JoDAVIESS	17	14	
		CHECKED -	REVISED -			CONTRACT NO. 64K21					
		DATE -	REVISED -								
PLOT SCALE = 40.0000' / in.		PLOT DATE = Fri May 30 08:41:42 2014		SCALE:		SHEET NO. OF SHEETS		STA. TO STA.		FED. ROAD DIST. NO. ILLINOIS FED. AID PROJECT	