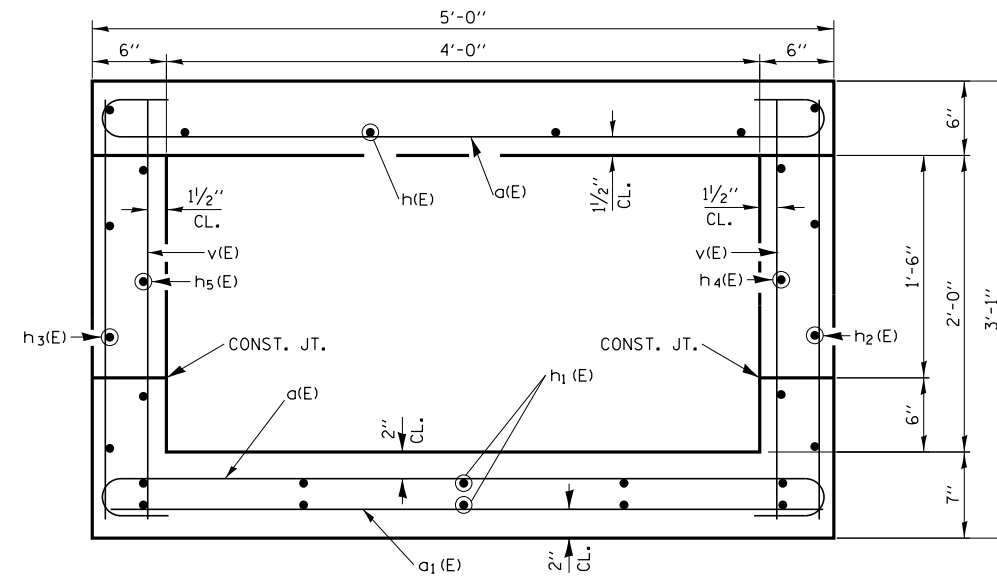
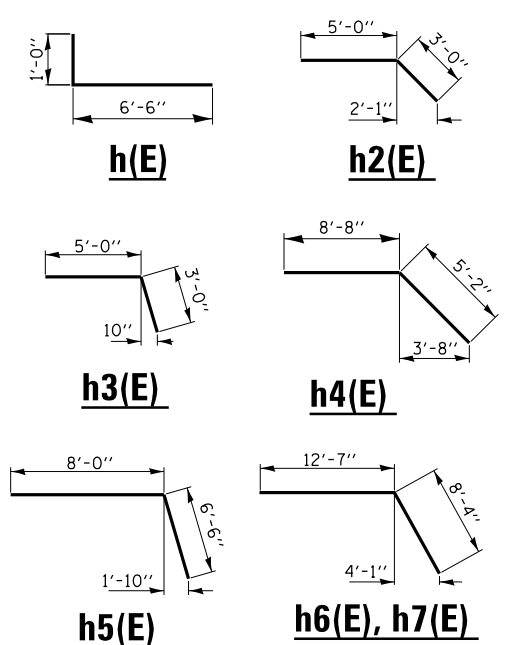


WINGWALL ELEVATION



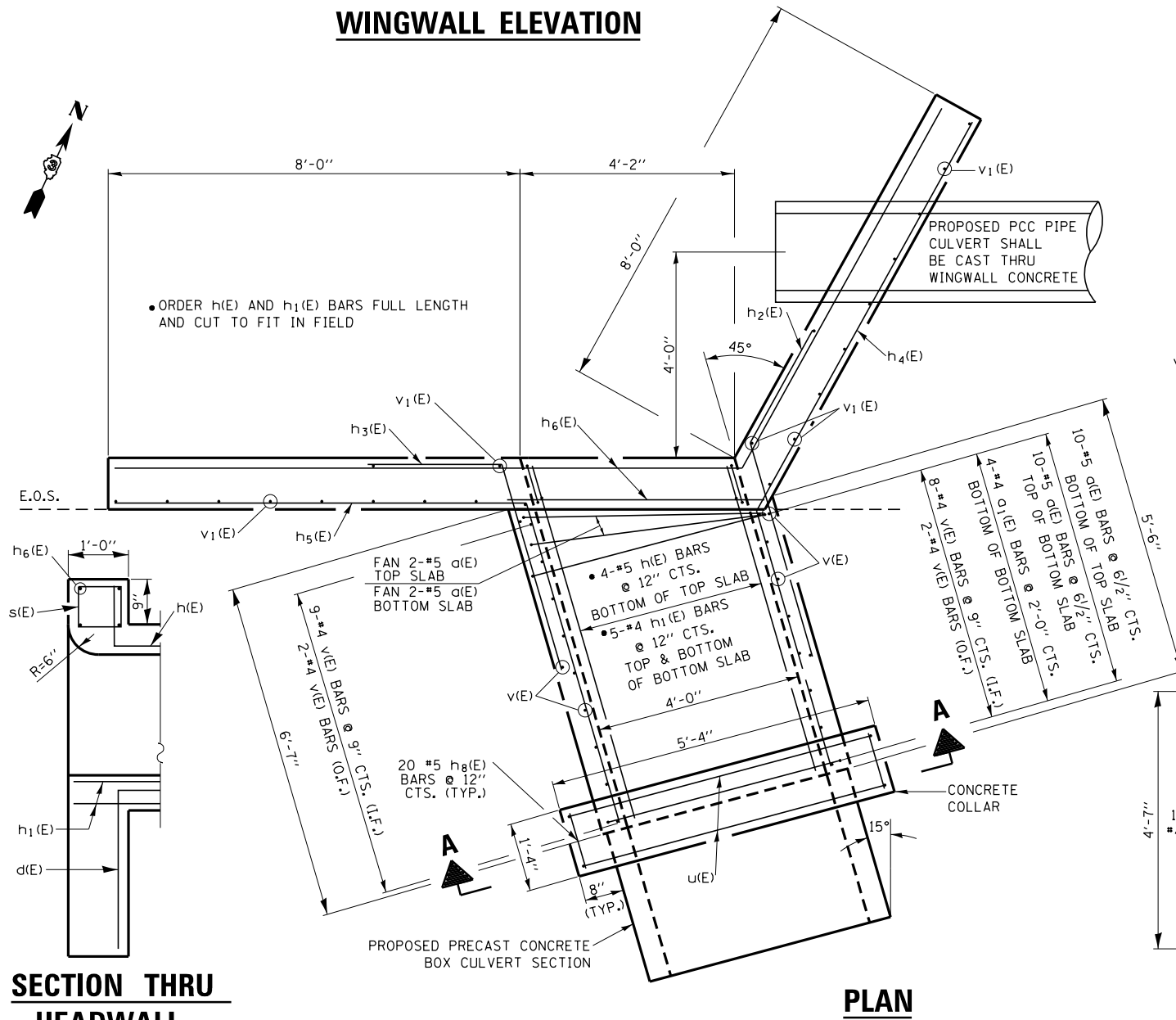
SECTION THRU BARREL
DIMENSIONS AT RT. L'S TO CULVERT



BILL OF MATERIALS

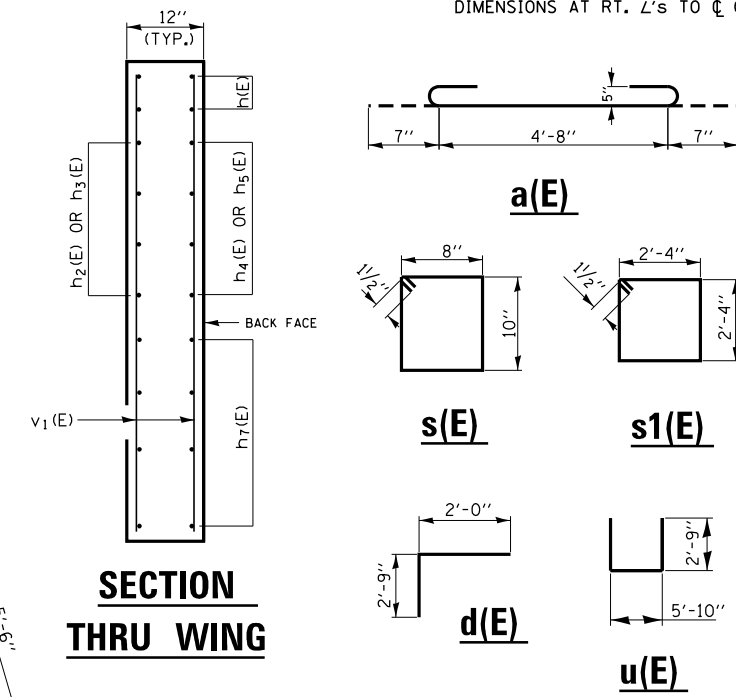
BAR	NO.	SIZE	LENGTH	SHAPE
a(E)	24	5	5'-10"	
a1(E)	4	4	4'-8"	
d(E)	5	5	4'-9"	
h(E)	4	5	7'-7"	
h1(E)	10	4	7'-0"	
h2(E)	4	5	8'-0"	
h3(E)	4	5	8'-0"	
h4(E)	4	5	13'-10"	
h5(E)	4	5	14'-6"	
h6(E)	4	6	20'-11"	
h7(E)	4	5	20'-11"	
h8(E)	20	5	1'-1"	
s(E)	5	4	3'-3"	
s1(E)	2	4	4'-9"	
u(E)	4	4	11'-4"	
v(E)	21	4	2'-10"	
v1(E)	22	4	6'-0"	
z(E)	8	4	1'-6"	
CONCRETE BOX CULVERT			CU YD	6
REINFORCEMENT BARS			POUND	872
EPOXY COATED				
CONCRETE COLLAR			CU YD	0.6

TABLE OF QUANTITIES SHOWN ARE FOR INFORMATION ONLY

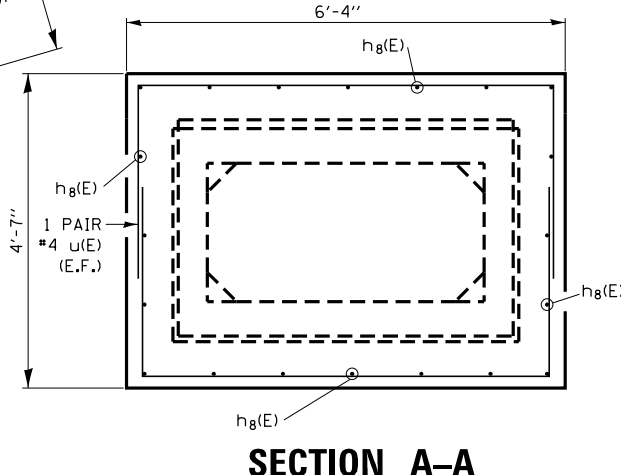


PLAN

SECTION THRU HEADWALL



SECTION THRU WING



SECTION A-A

FILE NAME =	USER NAME = woodshankr1	DESIGNED - RW	REVISED - RW 7/31/2014
ei:\pwwork\pwwork\woodshankr1\2014\0366035-shit-details.dgn		DRAWN - RW	REVISED -
PLOT SCALE = 40.0000' / in.		CHECKED - HA	REVISED -
MODELNAME	PLOT DATE = 7/31/2014	DATE - 7/14/2014	REVISED -

STATE OF ILLINOIS
DEPARTMENT OF TRANSPORTATION

CAST-IN-PLACE CONCRETE BOX CULVERT
END SECTION DETAILS

SCALE 20 SHEET 1 OF 1 SHEETS STA. TO STA.

F.A.P. RTE. 623	SECTION (0)T	COUNTY LASALLE	TOTAL SHEETS 16	SHEET NO. 10
ILLINOIS FED. AID PROJECT			CONTRACT NO. 66D35	