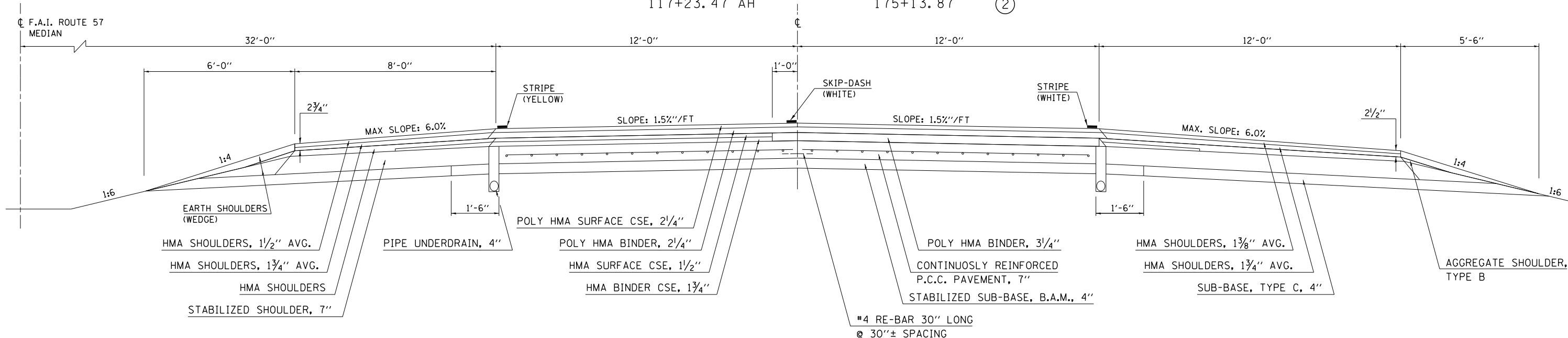


1 PROPOSED TYPICAL CROSS SECTION

LOCATION MAP # 1

F.A.I. 57

STATION TO STATION
 1386+91.00 TO 1510+00.00 BK (2)
 117+23.47 AH TO 175+13.87 (2)



2 PROPOSED TYPICAL CROSS SECTION

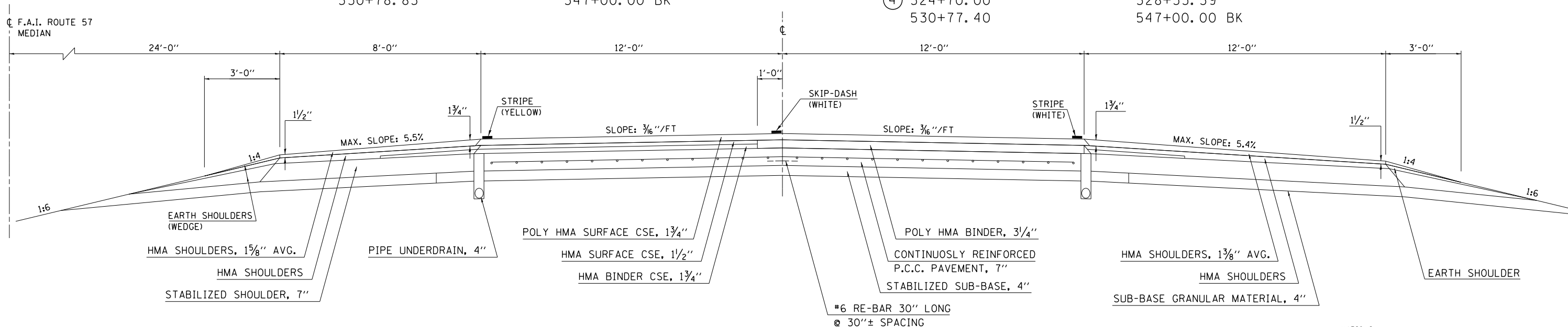
LOCATION MAP # 1

F.A.I. 57

SOUTHBOUND LANES

NORTHBOUND LANES

STATION	TO	STATION	TO	STATION
① 175+13.87		360+83.33 BK		③ 310+00.00
360+87.35 AH		463+69.00	④	360+83.33 BK
④ 524+70.00		528+35.17		390+00.00
530+78.85		547+00.00 BK		③ 528+33.59
				547+00.00 BK



FILE NAME =	USER NAME = gorees	DESIGNED -	REVISED -	STATE OF ILLINOIS DEPARTMENT OF TRANSPORTATION	TYPICAL CROSS SECTIONS	F.A.I. RTE.	SECTION	COUNTY	TOTAL SHEETS	SHEET NO.
ci:\pwork\work\pwork\gorees\d0400102\057001\1-sht-typical.dgn		DRAWN -	REVISED -			D5 CM PATCHING 2015-2	**	32	10	
PLOT SCALE = 40.0000' / in.		CHECKED -	REVISED -			CONTRACT NO. 70A81				
#MODELNAME#		DATE -	REVISED -			ILLINOIS FED. AID PROJECT				