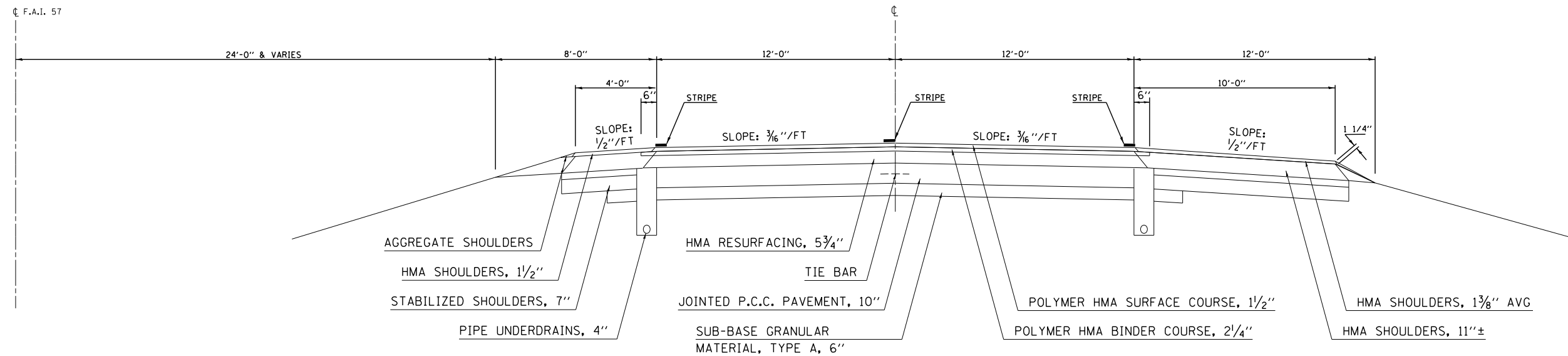


11 EXISTING TYPICAL CROSS SECTION

F.A.I. 57

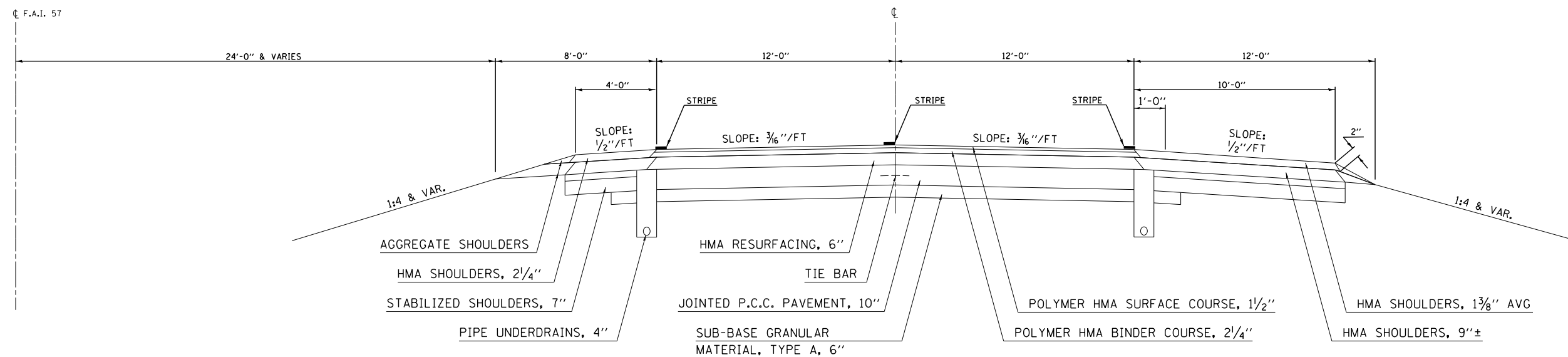
STATION 10 323+95.00 TO STATION 341+95.00 (N. B.) 12



12 EXISTING TYPICAL CROSS SECTION

F.A.I. 57

STATION 11 341+95.00 TO STATION 350.00+00 (N. B.) 11



FILE NAME =	USER NAME = g0rees	DESIGNED -	REVISED -
ct:\pw\work\p1dot\g0rees\d0400102\0570A011-sht-typical.dgn		DRAWN -	REVISED -
	PLOT SCALE = 40.0000 ' / in.	CHECKED -	REVISED -
#MODELNAME#	PLOT DATE = 6/26/2014	DATE -	REVISED -

STATE OF ILLINOIS
DEPARTMENT OF TRANSPORTATION

TYPICAL CROSS SECTIONS

SCALE: SHEET 6 OF 18 SHEETS STA. TO STA.

*VARIOUS		**CHAMPAIGN, DOUGLAS, & VERMILION	
F.A.I. RTE.	SECTION	COUNTY	TOTAL SHEETS
•	D5 CM PATCHING 2015-2	**	32
			15
CONTRACT NO. 70A81			
ILLINOIS FED. AID PROJECT			