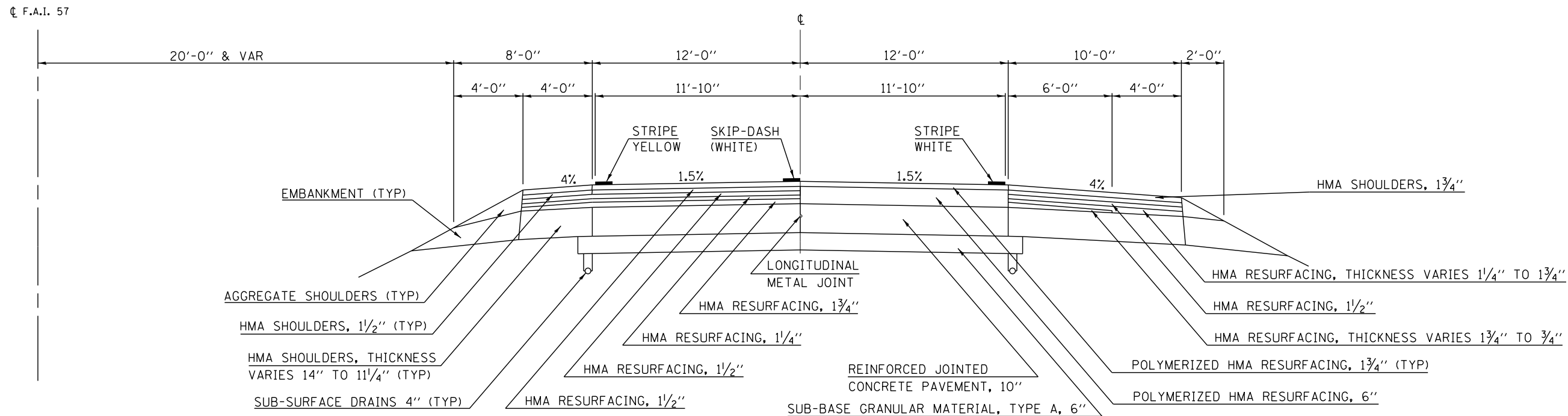


EXISTING TYPICAL SECTION 17

F.A.I. 57

LOCATION MAP # 2

STATION IO STATION
 15 545+00.00 575+00.00 18

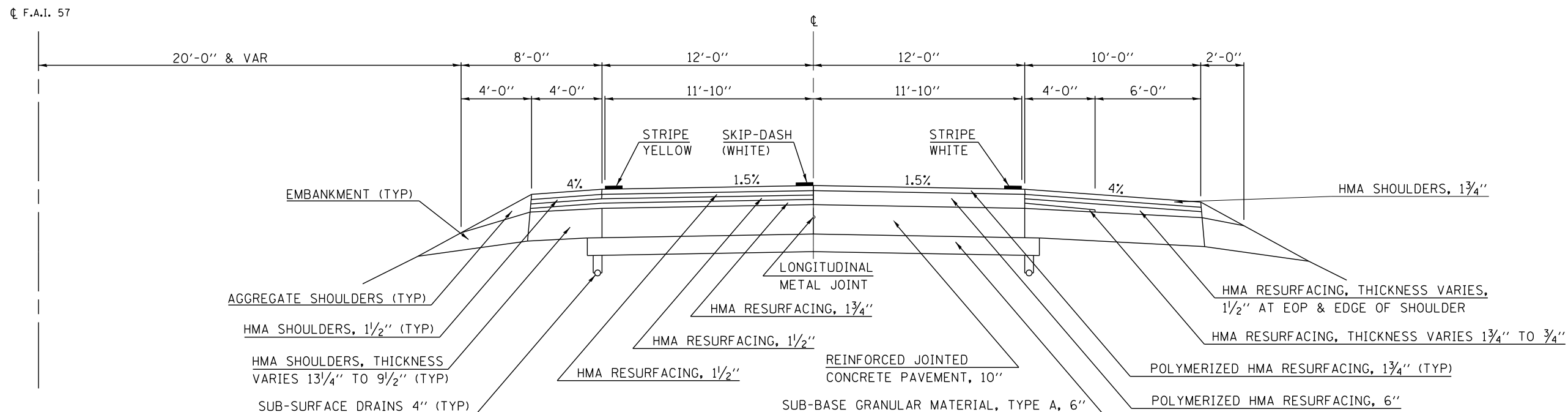


EXISTING TYPICAL SECTION 18

F.A.I. 57

LOCATION MAP # 2

STATION IO STATION
 17 575+00.00 623+36.00 19 20



FILE NAME =	USER NAME = gorees	DESIGNED -	REVISED -
ct:\pw\work\p1dot\gorees\d0400102\0570A81-sht-typical.dgn		DRAWN -	REVISED -
		CHECKED -	REVISED -
		DATE -	REVISED -
#MODELNAME#	PLOT DATE = 6/26/2014		

**STATE OF ILLINOIS
DEPARTMENT OF TRANSPORTATION**

TYPICAL CROSS SECTIONS

SCALE: SHEET 9 OF 18 SHEETS STA. TO STA.

F.A.I. RTE.	SECTION	COUNTY	TOTAL SHEETS	SHEET NO.
			32	18
D5 CM PATCHING 2015-2			CONTRACT NO. 70A81	
ILLINOIS FED. AID PROJECT				