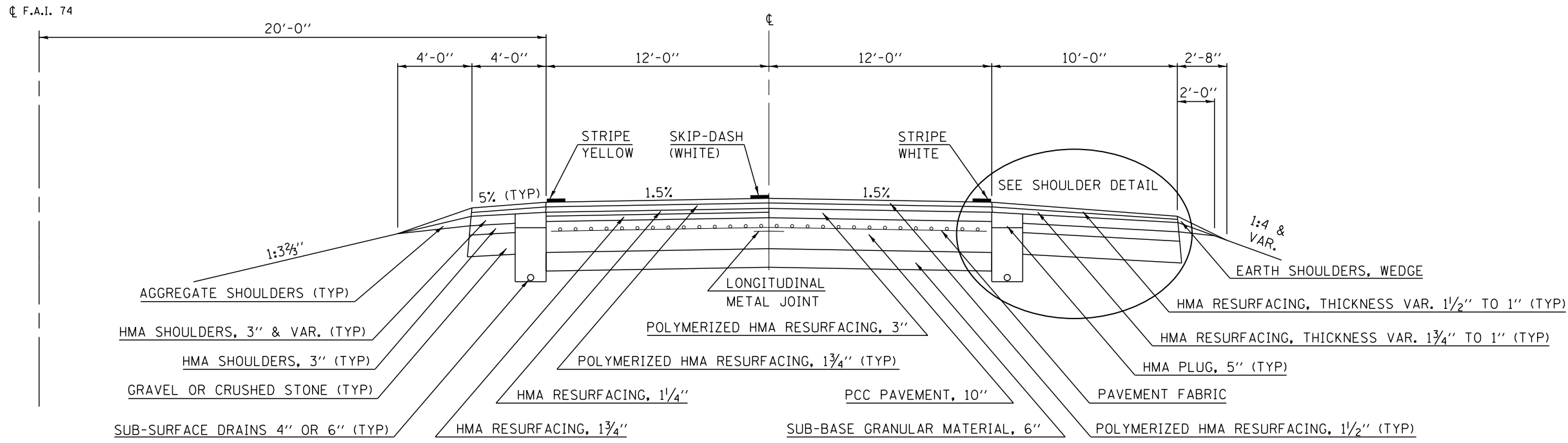


EXISTING TYPICAL SECTION 27

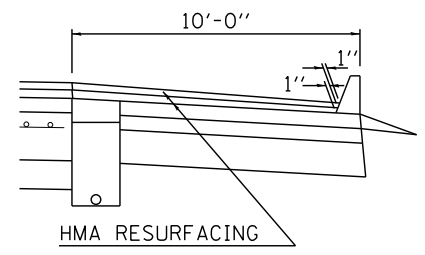
F.A.I. 74

STATION TO STATION
 26 1616+00.00 1720+00.00 28

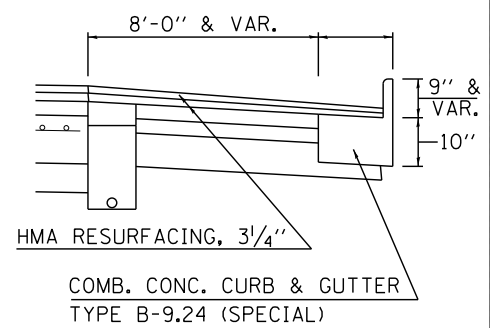
LOCATION MAP #4



SHOULDER DETAIL
 LT. 1618+87.00 TO LT. 1627+88.22
 RT. 1624+65.29 TO RT. 1627+88.22



SHOULDER DETAIL
 LT. 1631.89.30 TO LT. 1647+92.36 (WB)
 RT. 1631+89.63 TO RT. 1647+36.45 (EB)

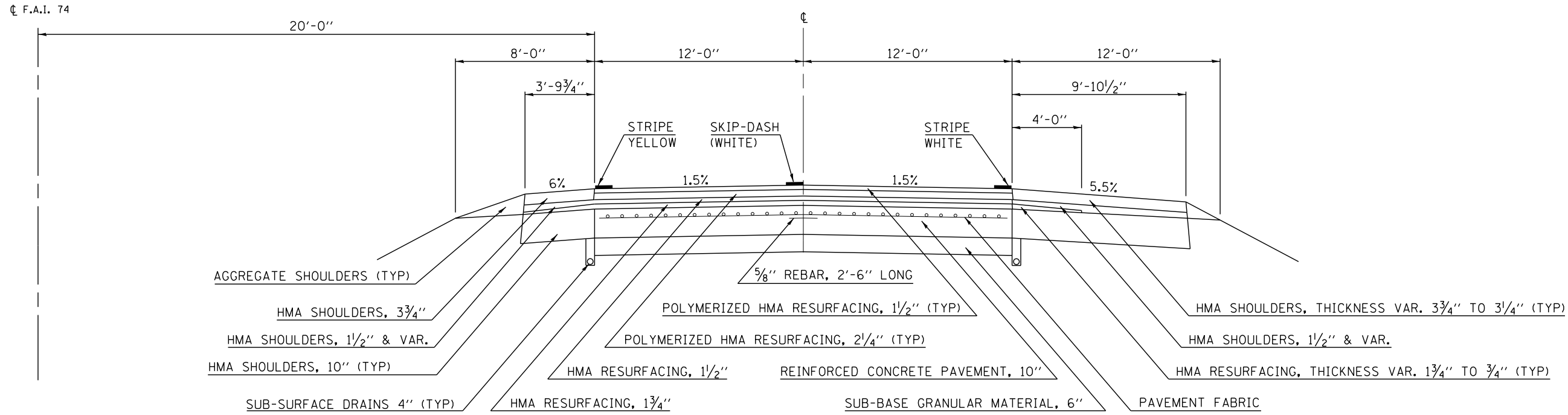


EXISTING TYPICAL SECTION 28

F.A.I. 74

STATION TO STATION
 27 1720+00.00 1908+00.00 29

LOCATION MAP #4



FILE NAME =	USER NAME = gorees	DESIGNED -	REVISED -	STATE OF ILLINOIS DEPARTMENT OF TRANSPORTATION	TYPICAL CROSS SECTIONS			F.A.I. SECTION	COUNTY	TOTAL SHEETS	SHEET NO.
ci:\pw\work\p\dot\gorees\d0400102\0570A81-sht-typical.dgn		DRAWN -	REVISED -		SCALE:	SHEET 14 OF 18 SHEETS	STA.	TO STA.	D5 CM PATCHING 2015-2	32	23
		CHECKED -	REVISED -		CONTRACT NO. 70A81						
MODELNAME	PLOT DATE = 6/26/2014	DATE -	REVISED -		ILLINOIS FED. AID PROJECT						