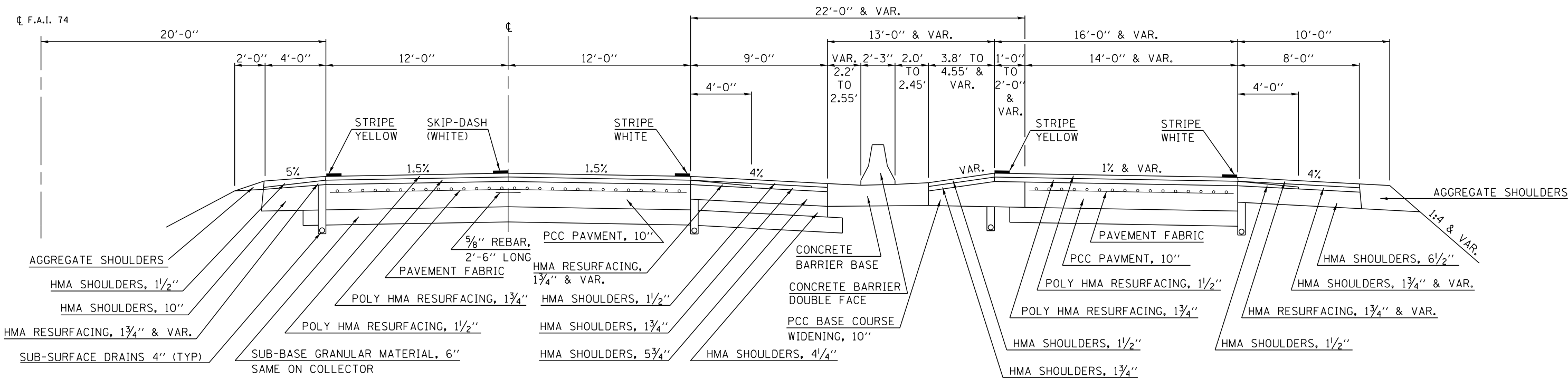


# EXISTING TYPICAL SECTION 29

LOCATION #4

F.A.I. 74

STATION 1908+00.00 TO STATION 1951+50.00

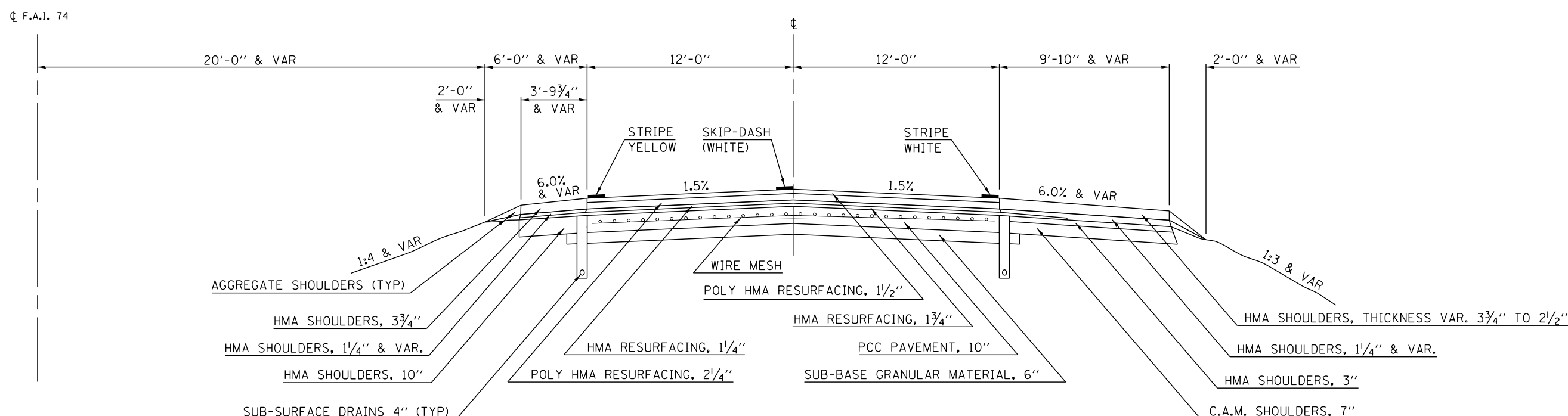


# EXISTING TYPICAL SECTION 30

LOCATION #4

F.A.I. 74

STATION 1951+50.00 TO STATION 2020+00.00



FILE NAME =	USER NAME = gorees	DESIGNED -	REVISED -	<b>STATE OF ILLINOIS DEPARTMENT OF TRANSPORTATION</b>	<b>TYPICAL CROSS SECTIONS</b>			F.A.I. RTE.	SECTION	COUNTY	TOTAL SHEETS	SHEET NO.
ct:\pw\work\p1dot\gorees\d0400102\0570A01-sht-typical.dgn	PLOT SCALE = 40.0000' / in.	DRAWN -	REVISED -					D5 CM PATCHING 2015-2	**	32	24	
#MODELNAME#	PLOT DATE = 6/26/2014	CHECKED -	REVISED -		SCALE: SHEET 15 OF 18 SHEETS STA. TO STA.			CONTRACT NO. 70A81				
					ILLINOIS FED. AID PROJECT							