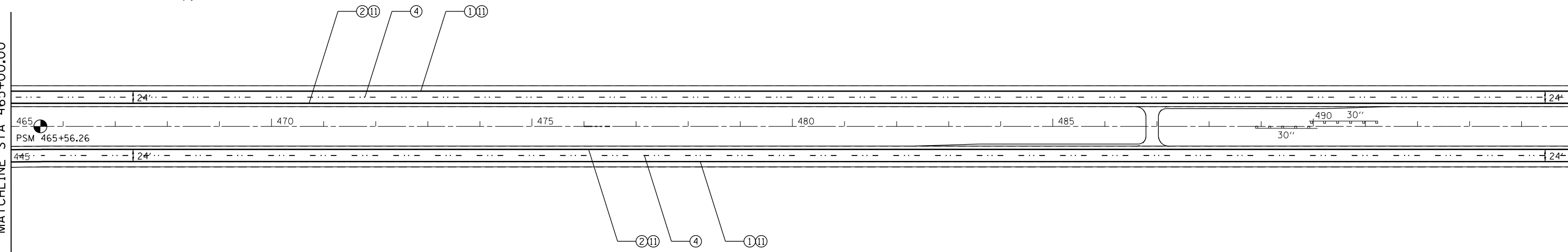




MATCHLINE STA 465+00.00

MATCHLINE STA 495+00.00



NOTE:

1. GROOVING SHALL NOT BE ALLOWED ON STRUCTURES' CONCRETE DECK.
2. MODIFIED URETHANE PAVEMENT MARKING - LINE 5" SHALL BE USED FOR SKIP DASHES AND EDGE LINES ON STRUCTURES' CONCRETE DECK.

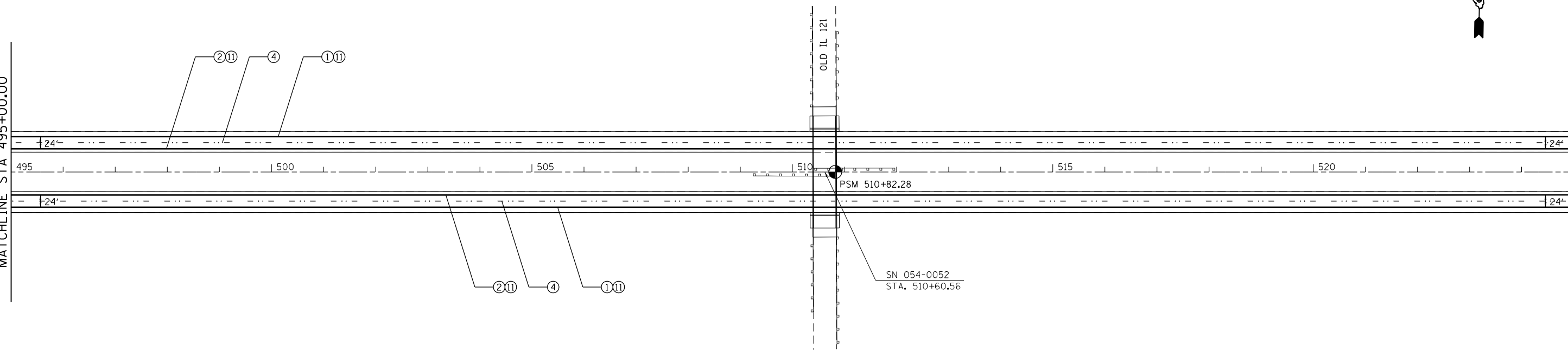
PAVEMENT MARKING LEGEND

①	MODIFIED URETHANE PAVEMENT MARKING - LINE 5"	(SOLID WHITE LINE)
②	MODIFIED URETHANE PAVEMENT MARKING - LINE 5"	(SOLID YELLOW LINE)
③	MODIFIED URETHANE PAVEMENT MARKING - LINE 5"	(WHITE SKIP-DASH)
④	PREFORMED PLASTIC PAVEMENT MARKING, TYPE B - INLAID - LINE 5"	(WHITE SKIP-DASH)
⑤	PREFORMED PLASTIC PAVEMENT MARKING, TYPE B - INLAID - LINE 5"	(WHITE SHORT-DASH)
⑥	PREFORMED PLASTIC PAVEMENT MARKING, TYPE B - INLAID - LINE 8"	(SOLID WHITE LINE)
⑦	PREFORMED PLASTIC PAVEMENT MARKING, TYPE B - INLAID - LINE 12"	(SOLID WHITE LINE)
⑧	PREFORMED PLASTIC PAVEMENT MARKING, TYPE B - INLAID - LINE 24"	(SOLID WHITE LINE)
⑨	PREFORMED PLASTIC PAVEMENT MARKING, TYPE B - INLAID - LINE 24"	(SOLID YELLOW LINE)
⑩	PREFORMED PLASTIC PAVEMENT MARKING, TYPE B - INLAID - LETTERS & SYMBOLS	
⑪	GROOVING FOR RECESSED PAVEMENT MARKING 6"	



MATCHLINE STA 495+00.00

MATCHLINE STA 525+00.00



FILE NAME =	USER NAME = sparksgw	DESIGNED -	REVISED -
ei:\pw_work\pwidot\sparksgw\0215133\0672041-sht-pavemarking-2.dgn		DRAWN -	REVISED -
Default	PLOT SCALE = 200.0000' / in.	CHECKED -	REVISED -
	PLOT DATE = Jul-14-2014 03:37:41PM	DATE -	REVISED -

STATE OF ILLINOIS  
DEPARTMENT OF TRANSPORTATION

F.A.I. ROUTE 55  
PAVEMENT MARKING PLAN SHEET

SCALE: 1" = 100' SHEET 4 OF SHEETS STA. TO STA.

F.A.I. RTE.	SECTION	COUNTY	TOTAL SHEETS	SHEET NO.
	**	LOGAN	108	73
CONTRACT NO. 72D41			ILLINOIS FED. AID PROJECT	