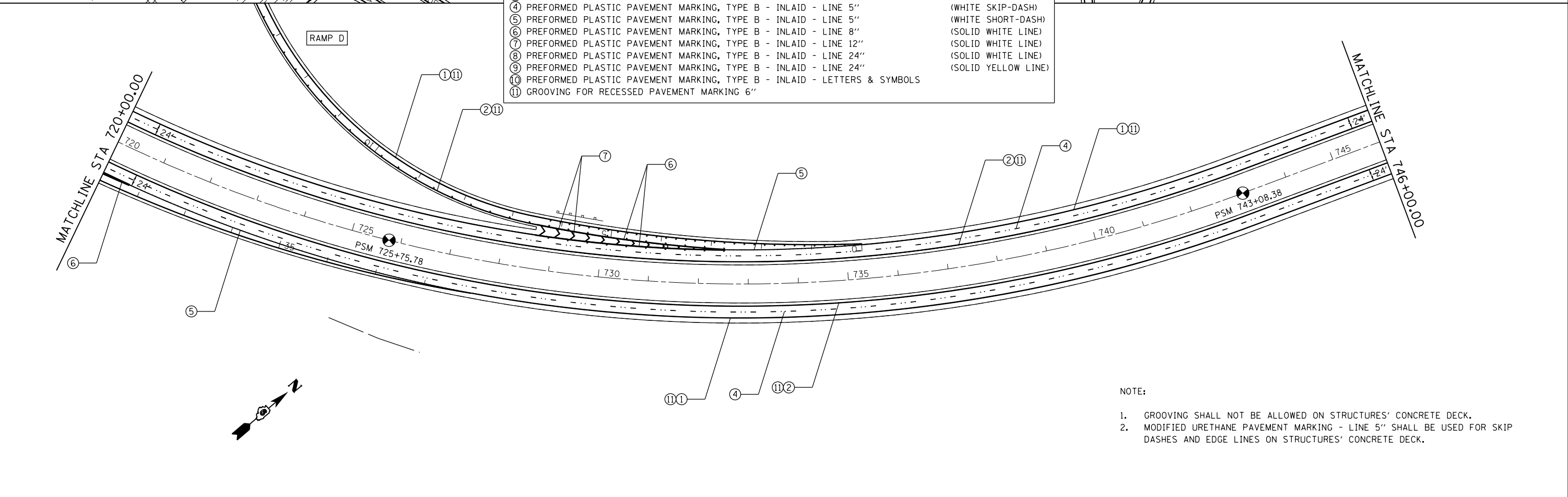


SEE BUS 55 INTERCHANGE
PLAN SHEET FOR MORE
INFORMATION

PAVEMENT MARKING LEGEND

①	MODIFIED URETHANE PAVEMENT MARKING - LINE 5"	(SOLID WHITE LINE)
②	MODIFIED URETHANE PAVEMENT MARKING - LINE 5"	(SOLID YELLOW LINE)
③	MODIFIED URETHANE PAVEMENT MARKING - LINE 5"	(WHITE SKIP-DASH)
④	PREFORMED PLASTIC PAVEMENT MARKING, TYPE B - INLAID - LINE 5"	(WHITE SKIP-DASH)
⑤	PREFORMED PLASTIC PAVEMENT MARKING, TYPE B - INLAID - LINE 5"	(WHITE SHORT-DASH)
⑥	PREFORMED PLASTIC PAVEMENT MARKING, TYPE B - INLAID - LINE 8"	(SOLID WHITE LINE)
⑦	PREFORMED PLASTIC PAVEMENT MARKING, TYPE B - INLAID - LINE 12"	(SOLID WHITE LINE)
⑧	PREFORMED PLASTIC PAVEMENT MARKING, TYPE B - INLAID - LINE 24"	(SOLID WHITE LINE)
⑨	PREFORMED PLASTIC PAVEMENT MARKING, TYPE B - INLAID - LINE 24"	(SOLID YELLOW LINE)
⑩	PREFORMED PLASTIC PAVEMENT MARKING, TYPE B - INLAID - LETTERS & SYMBOLS	(SOLID YELLOW LINE)
⑪	GROOVING FOR RECESSED PAVEMENT MARKING 6"	



NOTE:
 1. GROOVING SHALL NOT BE ALLOWED ON STRUCTURES' CONCRETE DECK.
 2. MODIFIED URETHANE PAVEMENT MARKING - LINE 5" SHALL BE USED FOR SKIP DASHES AND EDGE LINES ON STRUCTURES' CONCRETE DECK.

FILE NAME = c:\pw\work\p1dot\sparksgw\0215133\0672041-sht-pavemarking-2.dgn	USER NAME = sparksgw	DESIGNED -	REVISED -	STATE OF ILLINOIS DEPARTMENT OF TRANSPORTATION	F.A.I. ROUTE 55 PAVEMENT MARKING PLAN SHEET			F.A.I. RTE.	SECTION	COUNTY	TOTAL SHEETS	SHEET NO.	
Default	PLOT SCALE = 200.0000' / in.	DRAWN -	REVISED -		SCALE: 1" = 100'	SHEET 8	OF	SHEETS	STA.	TO STA.	LOGAN	108	77
	PLOT DATE = Jul-14-2014 03:37:42PM	CHECKED -	REVISED -								CONTRACT NO. 72D41		
		DATE -	REVISED -								ILLINOIS FED. AID PROJECT		