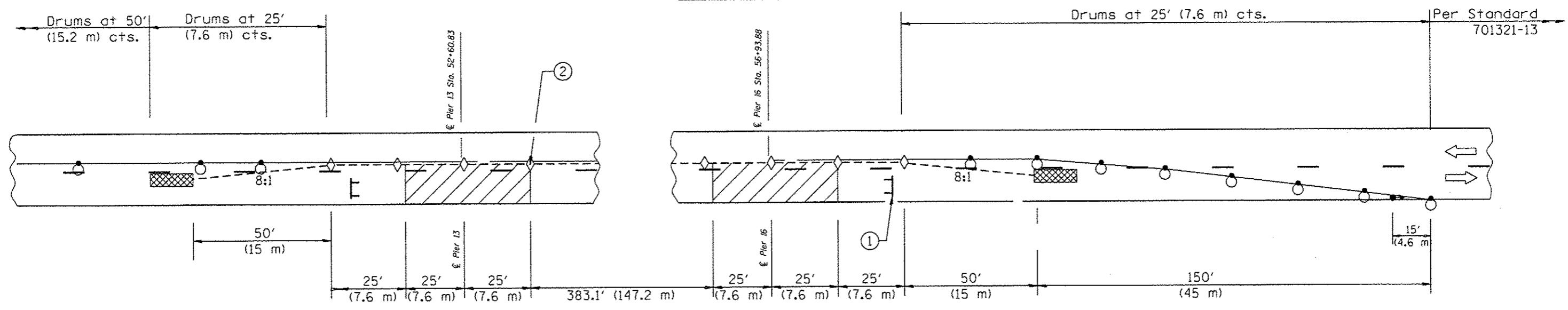
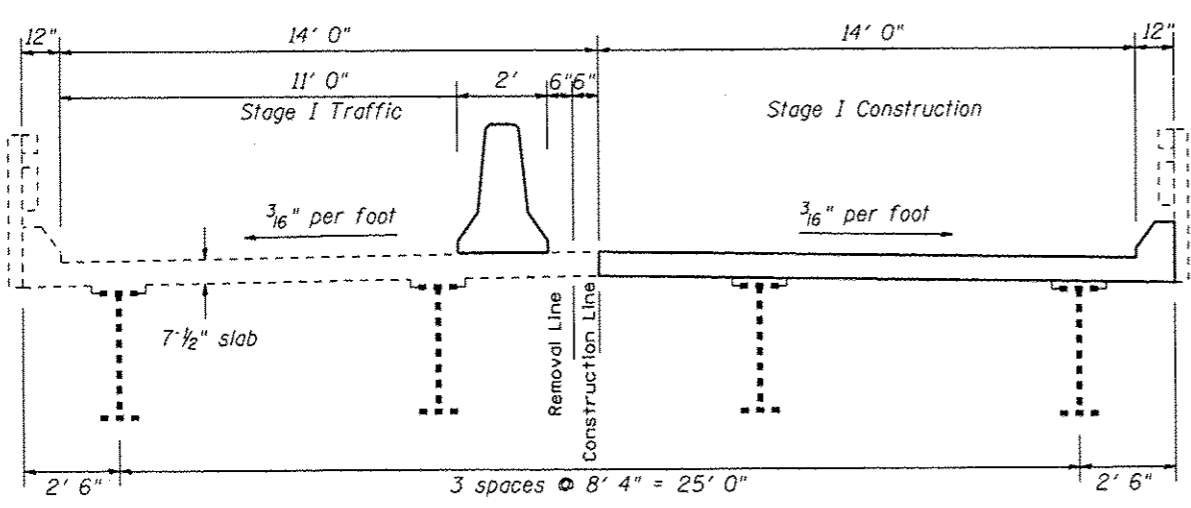


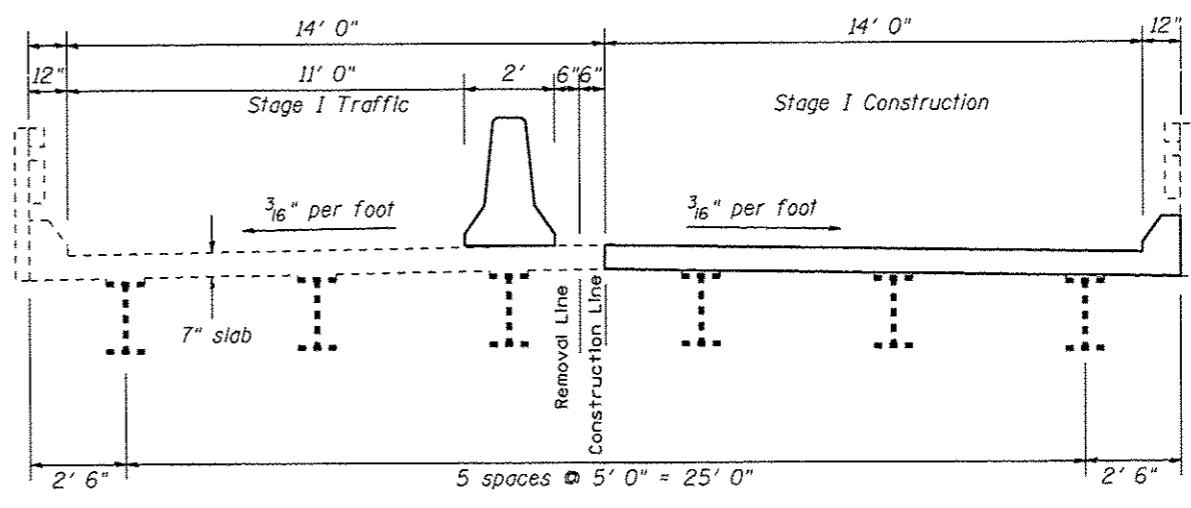
PLAN - PIER 8 AND 10



PLAN - PIER 13 AND 16



CROSS SECTION - SPANS 8 & 14 (LOOKING SOUTH)



CROSS SECTION - SPANS 9 & 13 (LOOKING SOUTH)

- ① Type III barricade to be placed when no work is being performed.
 - ② Barrier wall/guardrail markers at 25' (7.6 m) cts. See Standards 704001 & 635011.
- Note: For Traffic Control symbols refer to Standard 701321-13

FILE NAME *	USER NAME * dudleybm	DESIGNED -	REVISED -	STATE OF ILLINOIS DEPARTMENT OF TRANSPORTATION	STAGE 1 TRAFFIC CONTROL DETAILS		F.A.P. RTE.	SECTION	COUNTY	TOTAL SHEETS	SHEET NO.
OPERATIONS\Bridges\plans\CAD\72H29 - 8198281 joint replacement\plansheet.dgn		DRAWN -	REVISED -		310	(86) BJR	CASS	19	4		
PLOT SCALE * 20.0000 "/> <td></td> <td>CHECKED -</td> <td>REVISED -</td> <td colspan="3" style="text-align: center;">CONTRACT NO. 72H29</td> <td></td> <td></td> <td></td>		CHECKED -	REVISED -		CONTRACT NO. 72H29						
Default	PLOT DATE * Jul-18-2014 11:18:41AM	DATE -	REVISED -		ILLINOIS FED. AID PROJECT						