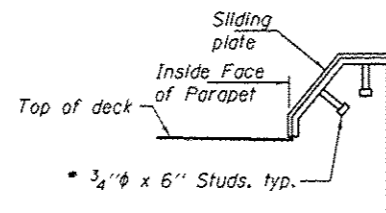


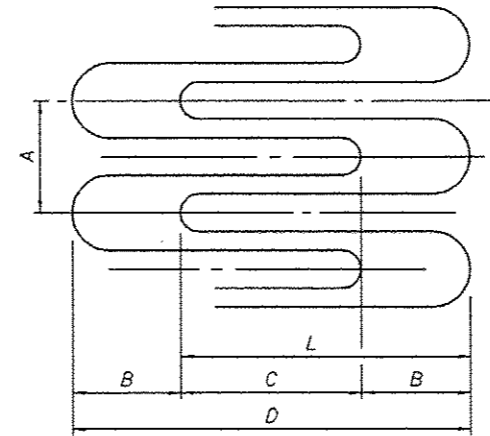
CURB SLIDING PLATE DETAIL

(Piers 8 & 13)

Cost included with the cost of the modular joint.



SECTION N-N

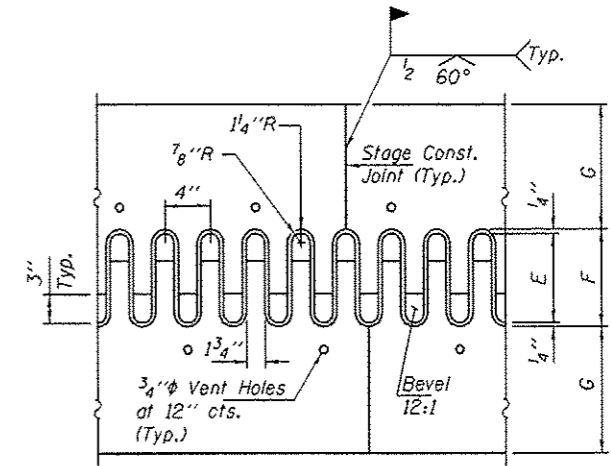


JOINT OPENING GEOMETRY

(See Table for Dimensions)

TABLE OF DIMENSIONS

Location	"A"	"B"	"C"	"D"	"L"
Pier 8	4"	4 3/4"	5 1/2"	1'-3"	10 1/4"
Pier 13	4"	5 1/4"	6"	1'-4 1/2"	11 1/4"



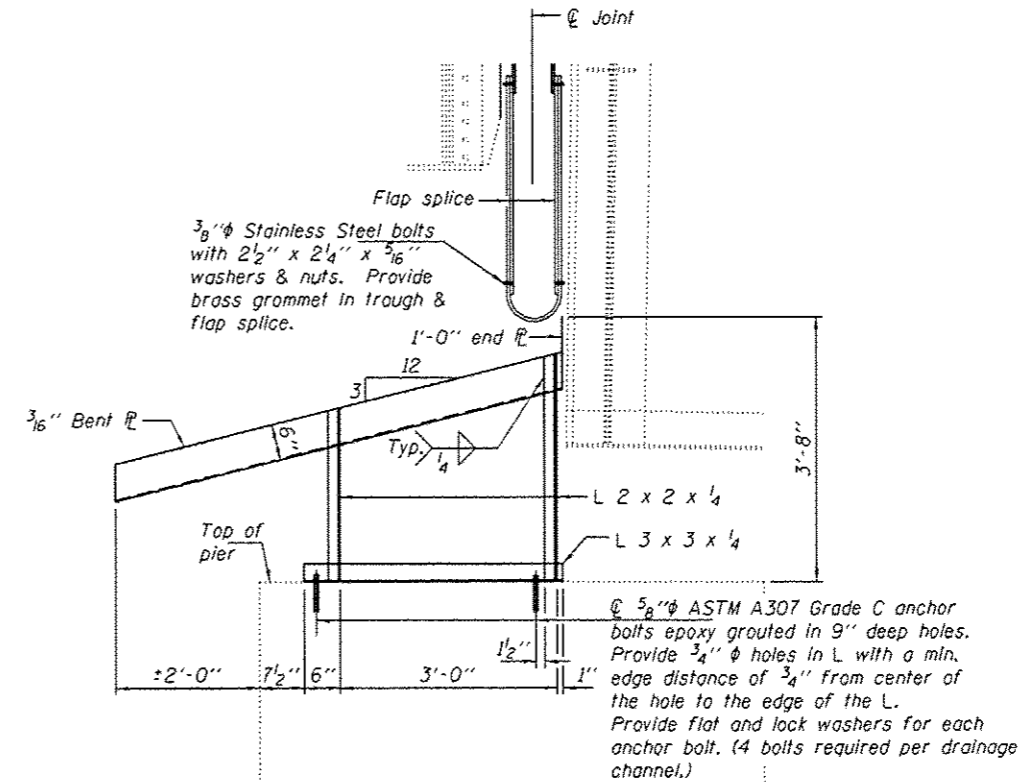
FLAME CUTTING DIAGRAM

Cut From

Pier 8 @ 2 1/4" x 3'-3 3/4"
Pier 13 @ 2 1/2" x 3'-6 3/4"

TABLE OF DIMENSIONS

Location	"E"	"F"	"G"
Pier 8	10"	10 1/2"	14 5/8"
Pier 13	11"	11 1/2"	15 5/8"



SECTION C-C

DESIGNED - ATH	EXAMINED - <i>Timothy A. Anhalt</i>	DATE - AUGUST 18, 2014
CHECKED - VHV	ACTING ENGINEER OF STRUCTURAL SERVICES	
DRAWN - Kyle M. Stoffen	PASSED - <i>Carl Boyer</i>	REVISED
CHECKED - ATH VHV	ACTING ENGINEER OF BRIDGES AND STRUCTURES	REVISED

STATE OF ILLINOIS
DEPARTMENT OF TRANSPORTATION

FINGER PLATE DETAILS
SN 009-0001

SHEET NO. 9 OF 14 SHEETS

F.A.P. RTE.	SECTION	COUNTY	TOTAL SHEETS	SHEET NO.
310	(B6)JR	CASS	19	14
CONTRACT NO. 72H29			ILLINOIS FED. AID PROJECT	