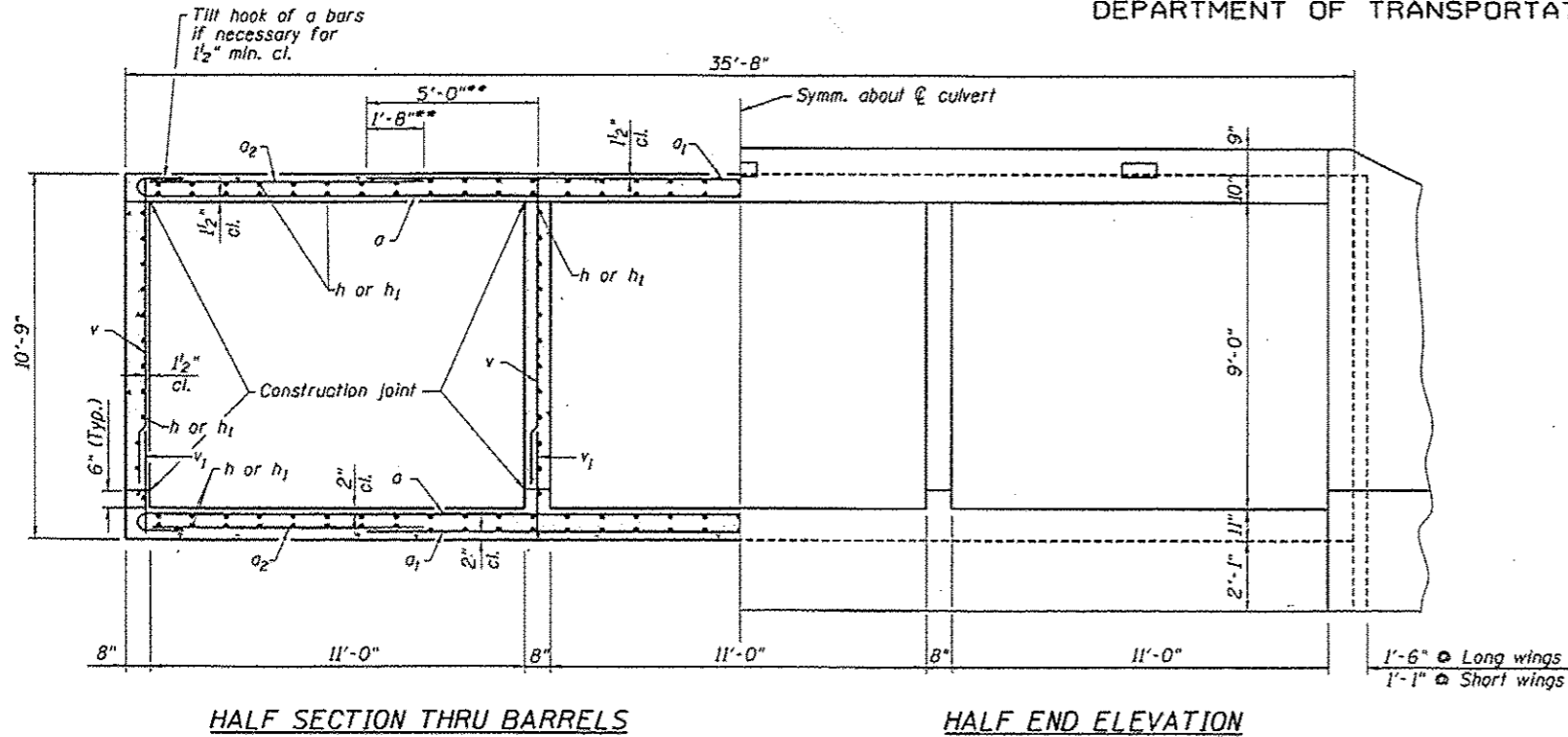
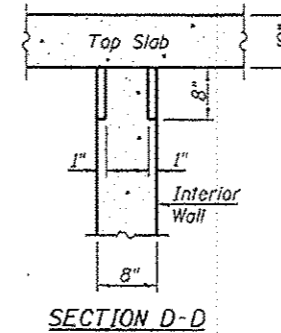
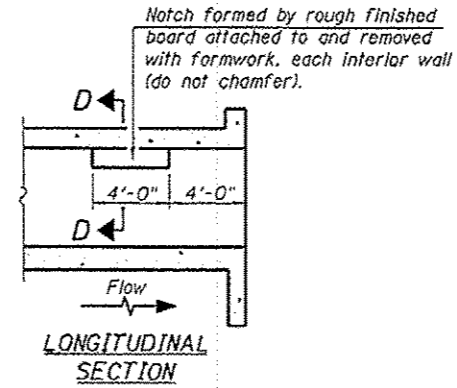


STATE OF ILLINOIS
DEPARTMENT OF TRANSPORTATION



** Dimensions noted thus are parallel to \odot Roadway



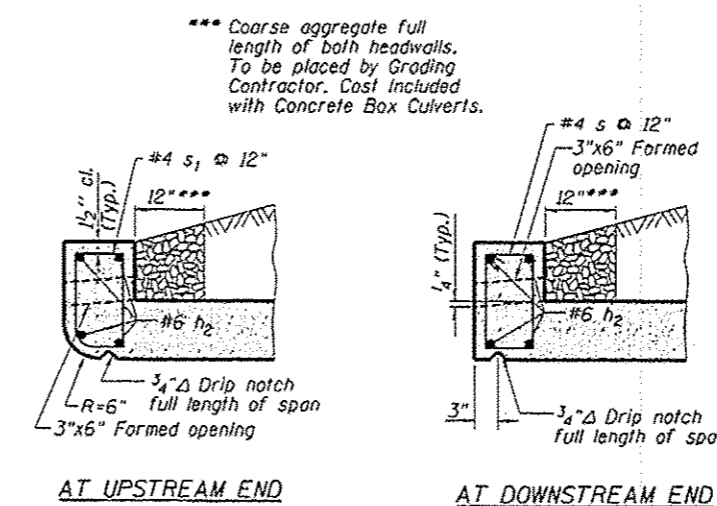
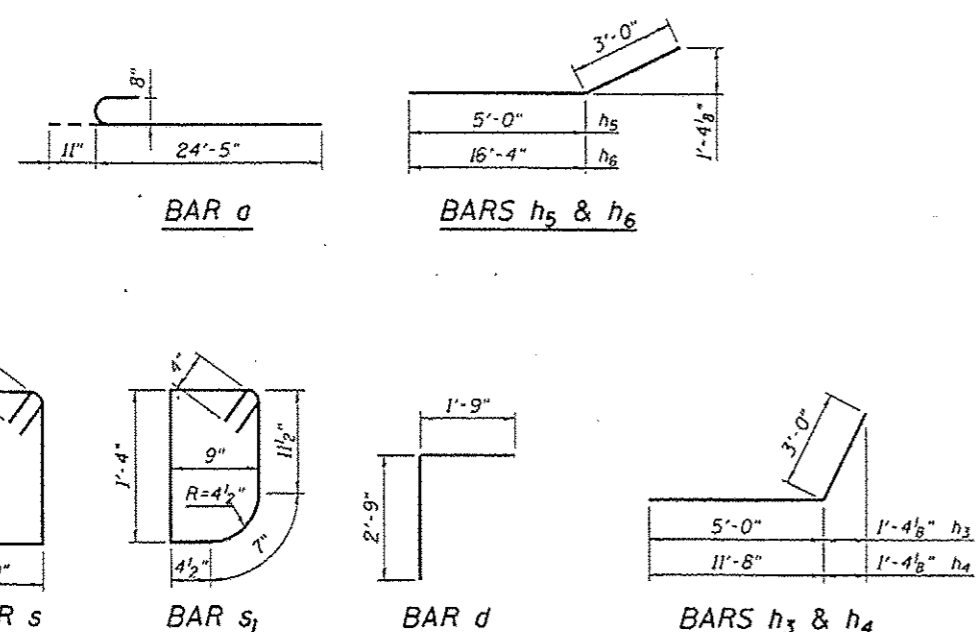
PHOEBE NESTING
SITE DETAILS
(Downstream End Only)

BILL OF MATERIAL

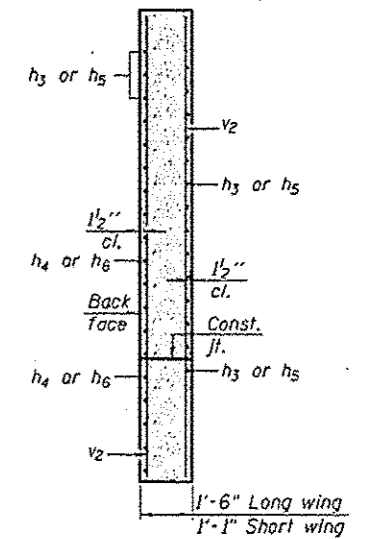
Bar	No.	Size	Length	Shape
a	320	#8	25'-4"	C
a ₁	188	#8	24'-8"	—
a ₂	160	#5	11'-6"	—
d	70	#4	4'-6"	—
h	188	#5	31'-2"	—
h ₁	376	#5	21'-1"	—
h ₂	44	#6	23'-11"	—
h ₃	40	#8	8'-0"	—
h ₄	26	#8	14'-8"	—
h ₅	34	#8	8'-0"	—
h ₆	32	#8	19'-4"	—
s	88	#4	4'-10"	—
s ₁	44	#4	4'-8"	—
v	418	#5	9'-0"	—
v ₁	418	#5	3'-0"	—
v ₂	16	#5	13'-2"	—
Concrete Box Culverts			Cu. Yd.	275.5
Reinforcement Bars			Pound	62,240

MIN. BAR LAP

- #5 ----- 1'-8"
- #6 ----- 2'-0"
- #8 ----- 4'-6"



DRAIN DETAILS



SECTION C-C
(Bars shown are in long wing)

ESCA
CONSULTANTS, INC.

DESIGNED BY:	ELH	03/10
DRAWN BY:	DWH/HAS	03/10
CHECKED BY:	ELH	04/10
APPROVED BY:	RDP	04/10

BOX CULVERT DETAILS
STRUCTURE NO. 051-2008

SHEET NO. 6 10 SHEETS	F.A.P. RTE.	SECTION	COUNTY	TOTAL SHEETS	SHEET NO.
	781	109B-1	LAWRENCE	34	20
FED. ROAD DIST. NO.			ILLINOIS FED. AID PROJECT		