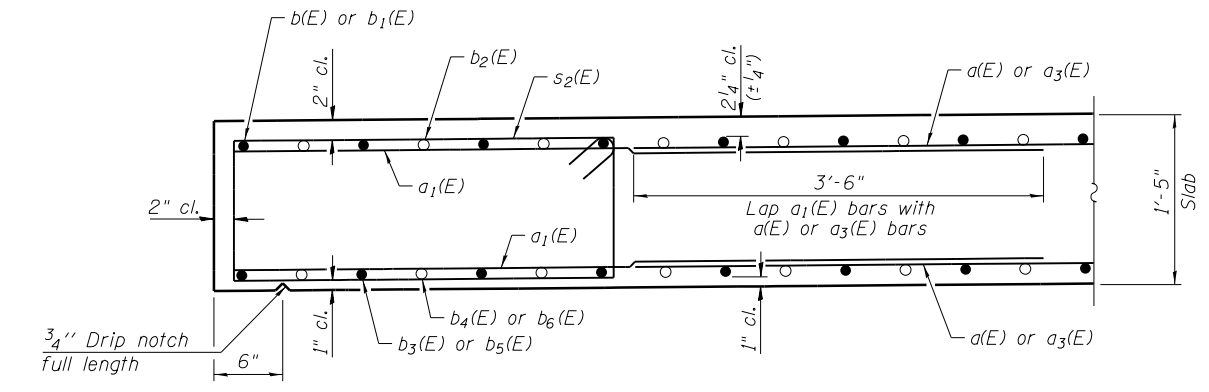


See Edge Beam Detail

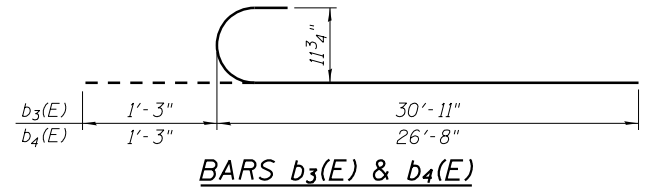
NEAR MIDSPAN

SECTION THRU DECK
(Looking North)

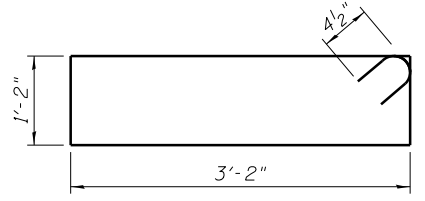
NEAR PIER



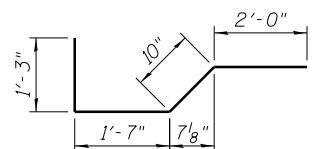
EDGE BEAM DETAIL



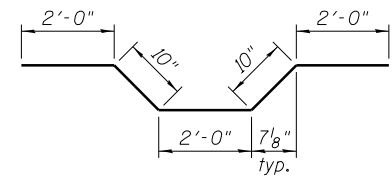
BARS b3(E) & b4(E)



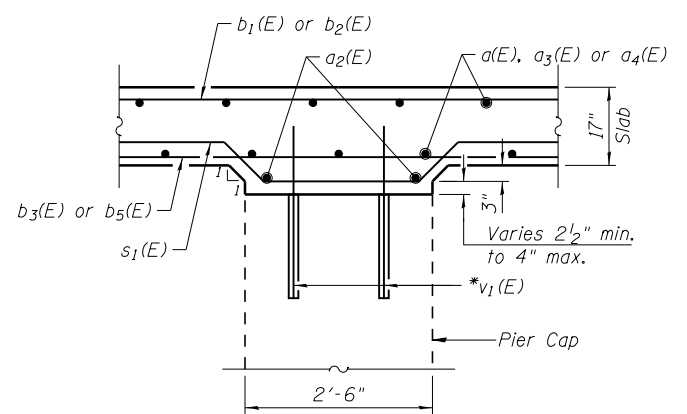
BAR s2(E)



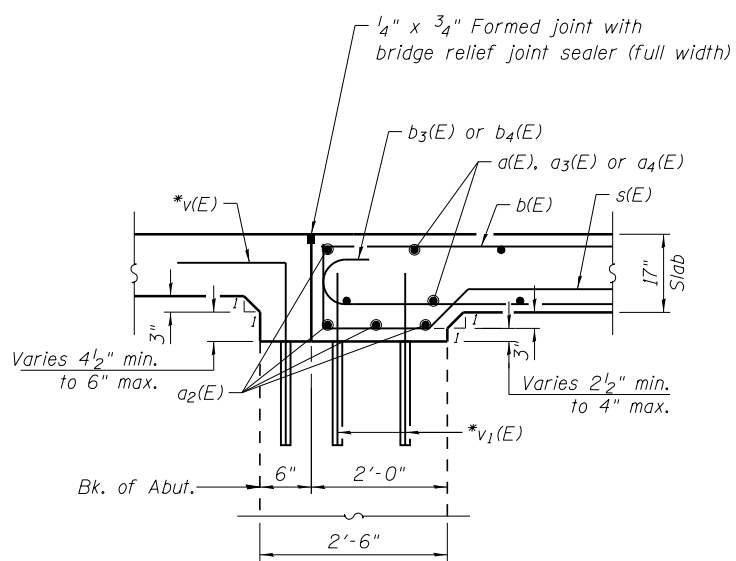
BAR s(E)



BAR s1(E)



SECTION B-B
(Dimensions at Rt. L's)



SECTION A-A
(Dimensions at Rt. L's)

SUPERSTRUCTURE
BILL OF MATERIAL

Bar	No.	Size	Length	Shape
a(E)	254	#6	9'-6"	—
a1(E)	762	#6	6'-9"	—
a2(E)	24	#6	16'-9"	—
a3(E)	254	#6	12'-9"	—
b(E)	68	#5	13'-10"	—
b1(E)	68	#9	33'-8"	—
b2(E)	64	#9	19'-4"	—
b3(E)	68	#9	32'-2"	—
b4(E)	64	#9	27'-11"	—
b5(E)	34	#9	33'-4"	—
b6(E)	32	#9	24'-11"	—
s(E)	68	#5	5'-8"	—
s1(E)	68	#5	7'-8"	—
s2(E)	381	#4	9'-5"	—
Concrete Superstructure			Cu. Yd.	153.8
Reinforcement Bars, Epoxy Coated			Pound	53210

Notes:
See Sheets 15 and 16 of 17 for bars v(E) and v1*(E).