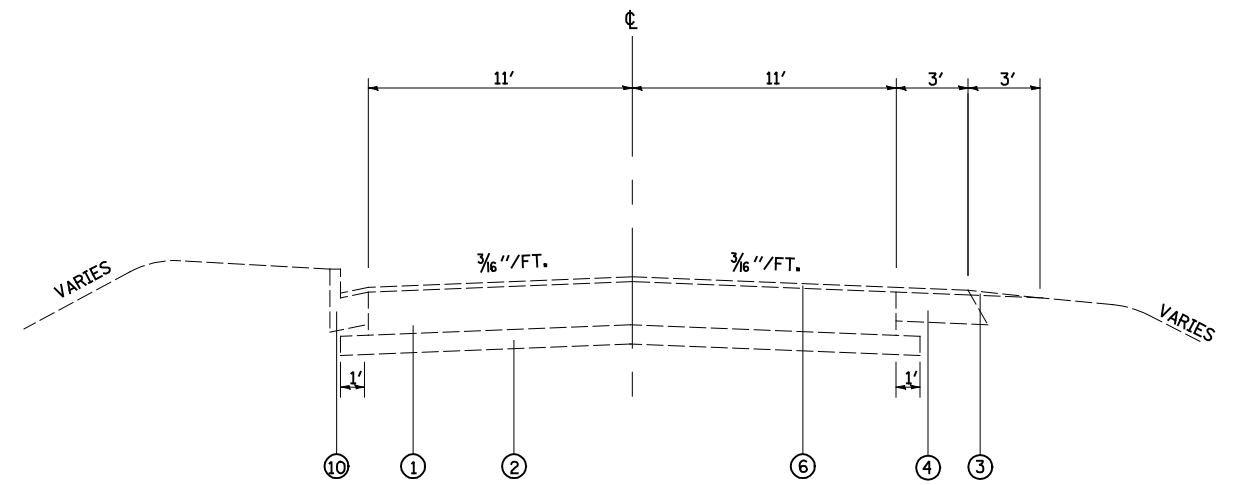


EXISTING TYPICAL SECTION

STA. 624+34.70 TO STA. 624+94.23
 STA. 651+17.50 TO STA. 652+10.00



EXISTING TYPICAL SECTION

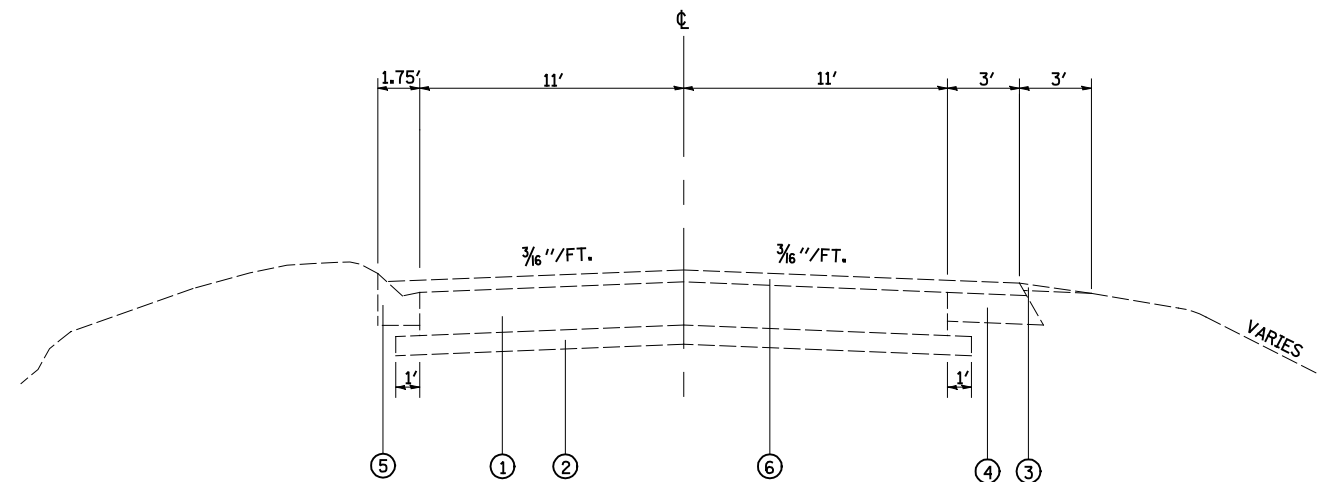
STA. 638+25.97 TO STA. 638+84.70
 STA. 648+84.26 TO STA. 649+03.50

NOTES:

STA. 624+94.23 TO STA. 638+25.97 (SN 079-0019)
 STA. 649+03.50 TO STA. 651+17.50 (SN 079-0020)

LEGEND

- ① EXISTING PCC PAVEMENT 9"
- ② EXISTING SUB-BASE GRANULAR MATERIAL TYPE A, 4"
- ③ EXISTING AGGREGATE WEDGE SHOULDERS
- ④ EXISTING HMA SHOULDER 6"
- ⑤ EXISTING CONCRETE GUTTER TYPE B
- ⑥ EXISTING HMA RESURFACING, 2 1/2" AND VARIES
- ⑦ PROPOSED HMA SURFACE COURSE MIX C, N70, 2" AND VARIES, SEE MISCELLANEOUS DETAILS
- ⑧ PROPOSED AGGREGATE SHOULDER, TYPE B
- ⑨ PROPOSED BITUMINOUS MATERIALS (PRIME COAT)
- ⑩ EXISTING COMBINATION CONCRETE CURB AND GUTTER



EXISTING TYPICAL SECTION

STA. 638+84.70 TO STA. 648+84.26

FILE NAME =	USER NAME = Paul	DESIGNED - JWS	REVISED -	STATE OF ILLINOIS DEPARTMENT OF TRANSPORTATION	EXISTING TYPICAL SECTIONS			F.A.S. RTE.	SECTION	COUNTY	TOTAL SHEETS	SHEET NO.
#FILEL#		DRAWN - PDB	REVISED -		858	12VB-II	RANDOLPH	72	4			
	PLOT SCALE = 40.0000' / IN.	CHECKED - BRM	REVISED -		SCALE: SHEET NO. 1 OF 2 SHEETS STA. TO STA.			CONTRACT NO. 76409				
	PLOT DATE = 12/20/2011	DATE - 03-28-11	REVISED -		ILLINOIS FED. AID PROJECT							