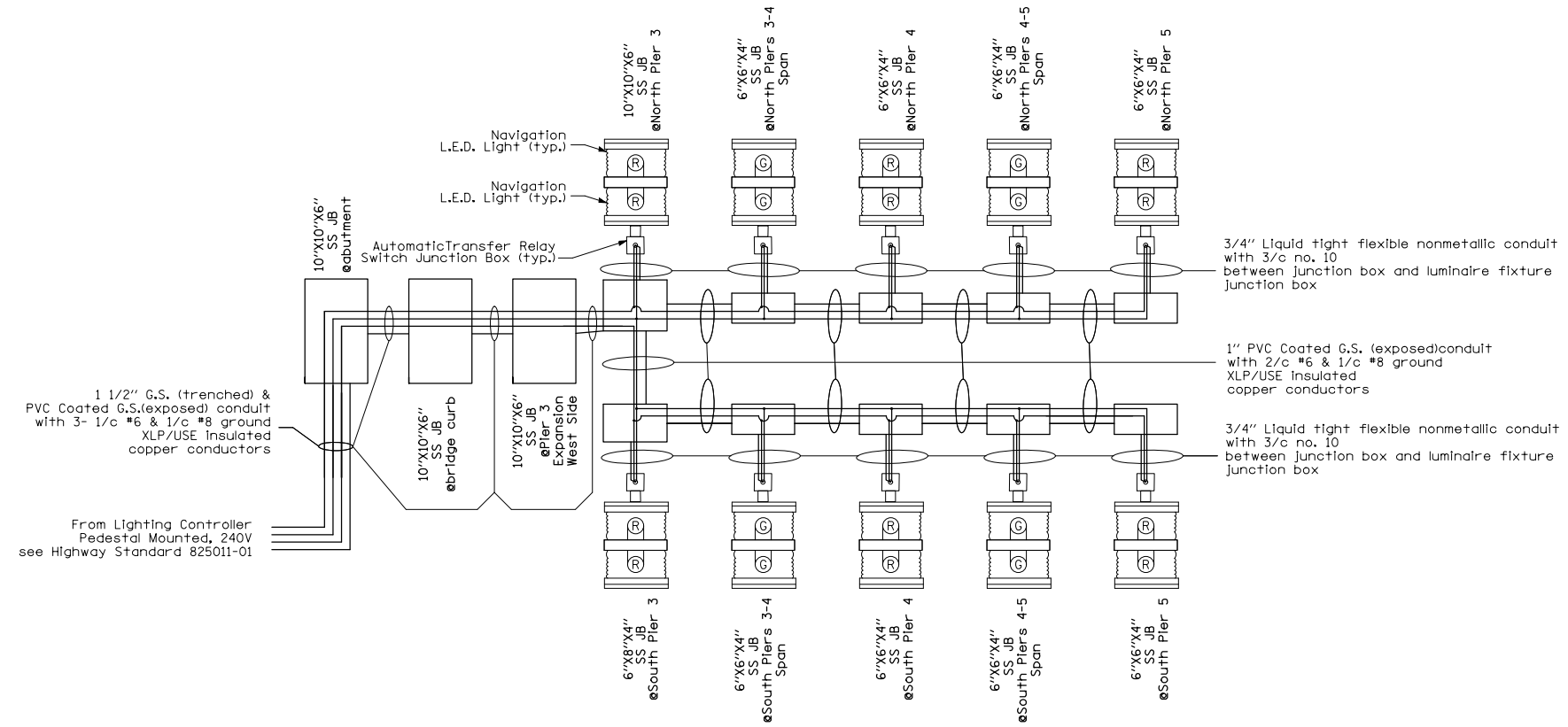


NAVIGATION LUMINAIRE



WIRING DIAGRAM FOR NAVIGATION LIGHTING

FILE NAME =	USER NAME = #USER#	DESIGNED - ___	REVISED - ___	<b>STATE OF ILLINOIS DEPARTMENT OF TRANSPORTATION</b>	<b>NAVIGATION LIGHTING SYSTEM 2 OF 2</b>		F.A.S. RTE.	SECTION	COUNTY	TOTAL SHEETS	SHEET NO.
#FILE#		DRAWN - ___	REVISED - ___		858	12VB-II	RANDOLPH	12	33		
PLOT SCALE = #SCALE#	CHECKED - ___	REVISED - ___			CONTRACT NO. 76409						
PLOT DATE = #DATE#	DATE - ___	REVISED - ___			SCALE: _____ SHEET NO. ___ OF ___ SHEETS STA. _____ TO STA. _____						
							FED. ROAD DIST. NO. _ ILLINOIS FED. AID PROJECT				