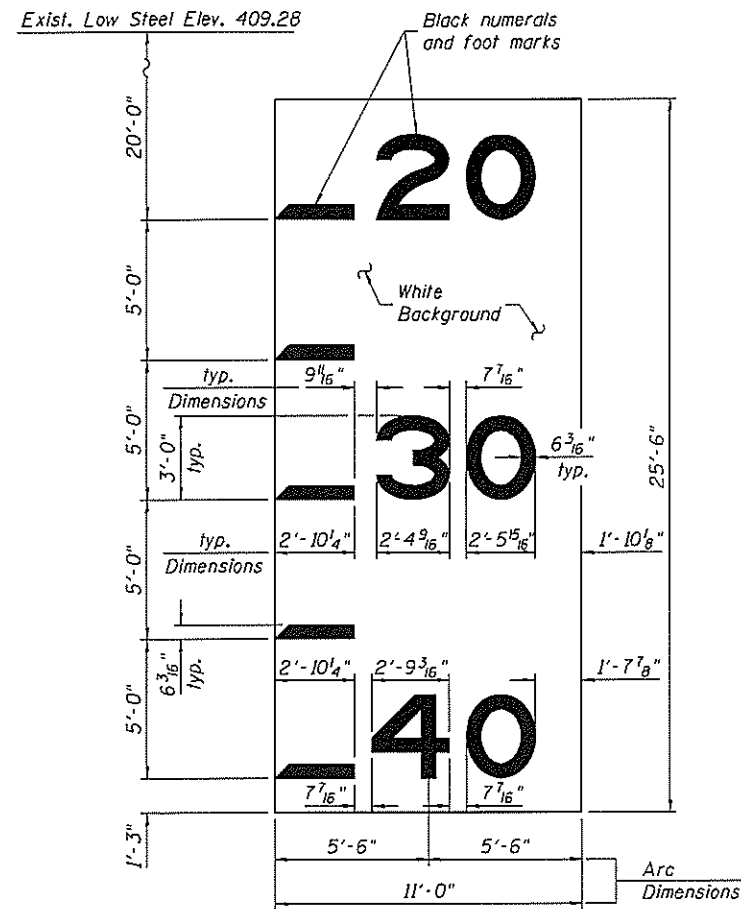
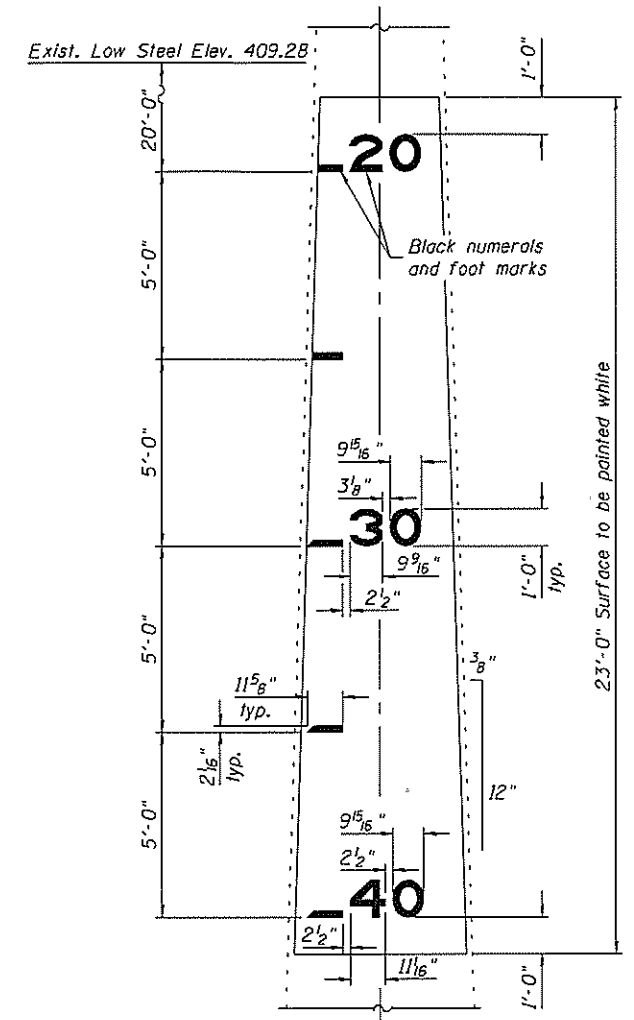


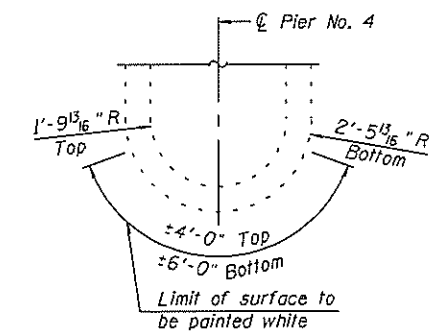
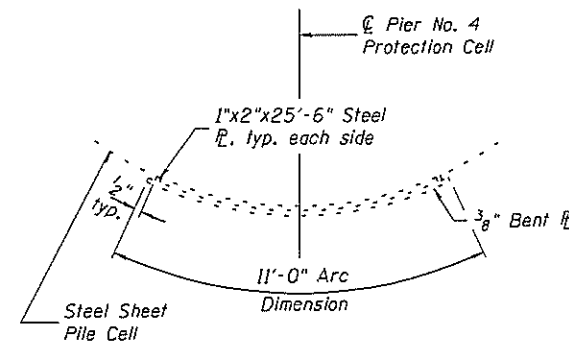
PLAN AT PIER 4
See Special Provisions



DETAIL "A"
EXISTING CELL NO. 1
GAUGE DETAILS
See Special Provisions



DETAIL "B"
EXISTING PIER NO. 4
GAUGE DETAILS
See Special Provisions



PRINT DATE: 5/9/2014 7:02:40 AM s:\11815 b16 s01 r001 r002\p001\p002\p003\p004\p005\p006\p007\p008\p009\p010\p011\p012\p013\p014\p015\p016\p017\p018\p019\p020\p021\p022\p023\p024\p025\p026\p027\p028\p029\p030\p031\p032\p033\p034\p035\p036\p037\p038\p039\p040\p041\p042\p043\p044\p045\p046\p047\p048\p049\p050\p051\p052\p053\p054\p055\p056\p057\p058\p059\p060\p061\p062\p063\p064\p065\p066\p067\p068\p069\p070\p071\p072\p073\p074\p075\p076\p077\p078\p079\p080\p081\p082\p083\p084\p085\p086\p087\p088\p089\p090\p091\p092\p093\p094\p095\p096\p097\p098\p099\p100\p101\p102\p103\p104\p105\p106\p107\p108\p109\p110\p111\p112\p113\p114\p115\p116\p117\p118\p119\p120\p121\p122\p123\p124\p125\p126\p127\p128\p129\p130\p131\p132\p133\p134\p135\p136\p137\p138\p139\p140\p141\p142\p143\p144\p145\p146\p147\p148\p149\p150\p151\p152\p153\p154\p155\p156\p157\p158\p159\p160\p161\p162\p163\p164\p165\p166\p167\p168\p169\p170\p171\p172\p173\p174\p175\p176\p177\p178\p179\p180\p181\p182\p183\p184\p185\p186\p187\p188\p189\p190\p191\p192\p193\p194\p195\p196\p197\p198\p199\p200\p201\p202\p203\p204\p205\p206\p207\p208\p209\p210\p211\p212\p213\p214\p215\p216\p217\p218\p219\p220\p221\p222\p223\p224\p225\p226\p227\p228\p229\p230\p231\p232\p233\p234\p235\p236\p237\p238\p239\p240\p241\p242\p243\p244\p245\p246\p247\p248\p249\p250\p251\p252\p253\p254\p255\p256\p257\p258\p259\p260\p261\p262\p263\p264\p265\p266\p267\p268\p269\p270\p271\p272\p273\p274\p275\p276\p277\p278\p279\p280\p281\p282\p283\p284\p285\p286\p287\p288\p289\p290\p291\p292\p293\p294\p295\p296\p297\p298\p299\p300\p301\p302\p303\p304\p305\p306\p307\p308\p309\p310\p311\p312\p313\p314\p315\p316\p317\p318\p319\p320\p321\p322\p323\p324\p325\p326\p327\p328\p329\p330\p331\p332\p333\p334\p335\p336\p337\p338\p339\p340\p341\p342\p343\p344\p345\p346\p347\p348\p349\p350\p351\p352\p353\p354\p355\p356\p357\p358\p359\p360\p361\p362\p363\p364\p365\p366\p367\p368\p369\p370\p371\p372\p373\p374\p375\p376\p377\p378\p379\p380\p381\p382\p383\p384\p385\p386\p387\p388\p389\p390\p391\p392\p393\p394\p395\p396\p397\p398\p399\p400\p401\p402\p403\p404\p405\p406\p407\p408\p409\p410\p411\p412\p413\p414\p415\p416\p417\p418\p419\p420\p421\p422\p423\p424\p425\p426\p427\p428\p429\p430\p431\p432\p433\p434\p435\p436\p437\p438\p439\p440\p441\p442\p443\p444\p445\p446\p447\p448\p449\p450\p451\p452\p453\p454\p455\p456\p457\p458\p459\p460\p461\p462\p463\p464\p465\p466\p467\p468\p469\p470\p471\p472\p473\p474\p475\p476\p477\p478\p479\p480\p481\p482\p483\p484\p485\p486\p487\p488\p489\p490\p491\p492\p493\p494\p495\p496\p497\p498\p499\p500\p501\p502\p503\p504\p505\p506\p507\p508\p509\p510\p511\p512\p513\p514\p515\p516\p517\p518\p519\p520\p521\p522\p523\p524\p525\p526\p527\p528\p529\p530\p531\p532\p533\p534\p535\p536\p537\p538\p539\p540\p541\p542\p543\p544\p545\p546\p547\p548\p549\p550\p551\p552\p553\p554\p555\p556\p557\p558\p559\p560\p561\p562\p563\p564\p565\p566\p567\p568\p569\p570\p571\p572\p573\p574\p575\p576\p577\p578\p579\p580\p581\p582\p583\p584\p585\p586\p587\p588\p589\p590\p591\p592\p593\p594\p595\p596\p597\p598\p599\p600\p601\p602\p603\p604\p605\p606\p607\p608\p609\p610\p611\p612\p613\p614\p615\p616\p617\p618\p619\p620\p621\p622\p623\p624\p625\p626\p627\p628\p629\p630\p631\p632\p633\p634\p635\p636\p637\p638\p639\p640\p641\p642\p643\p644\p645\p646\p647\p648\p649\p650\p651\p652\p653\p654\p655\p656\p657\p658\p659\p660\p661\p662\p663\p664\p665\p666\p667\p668\p669\p670\p671\p672\p673\p674\p675\p676\p677\p678\p679\p680\p681\p682\p683\p684\p685\p686\p687\p688\p689\p690\p691\p692\p693\p694\p695\p696\p697\p698\p699\p700\p701\p702\p703\p704\p705\p706\p707\p708\p709\p710\p711\p712\p713\p714\p715\p716\p717\p718\p719\p720\p721\p722\p723\p724\p725\p726\p727\p728\p729\p730\p731\p732\p733\p734\p735\p736\p737\p738\p739\p740\p741\p742\p743\p744\p745\p746\p747\p748\p749\p750\p751\p752\p753\p754\p755\p756\p757\p758\p759\p760\p761\p762\p763\p764\p765\p766\p767\p768\p769\p770\p771\p772\p773\p774\p775\p776\p777\p778\p779\p780\p781\p782\p783\p784\p785\p786\p787\p788\p789\p790\p791\p792\p793\p794\p795\p796\p797\p798\p799\p800\p801\p802\p803\p804\p805\p806\p807\p808\p809\p810\p811\p812\p813\p814\p815\p816\p817\p818\p819\p820\p821\p822\p823\p824\p825\p826\p827\p828\p829\p830\p831\p832\p833\p834\p835\p836\p837\p838\p839\p840\p841\p842\p843\p844\p845\p846\p847\p848\p849\p850\p851\p852\p853\p854\p855\p856\p857\p858\p859\p860\p861\p862\p863\p864\p865\p866\p867\p868\p869\p870\p871\p872\p873\p874\p875\p876\p877\p878\p879\p880\p881\p882\p883\p884\p885\p886\p887\p888\p889\p890\p891\p892\p893\p894\p895\p896\p897\p898\p899\p900\p901\p902\p903\p904\p905\p906\p907\p908\p909\p910\p911\p912\p913\p914\p915\p916\p917\p918\p919\p920\p921\p922\p923\p924\p925\p926\p927\p928\p929\p930\p931\p932\p933\p934\p935\p936\p937\p938\p939\p940\p941\p942\p943\p944\p945\p946\p947\p948\p949\p950\p951\p952\p953\p954\p955\p956\p957\p958\p959\p960\p961\p962\p963\p964\p965\p966\p967\p968\p969\p970\p971\p972\p973\p974\p975\p976\p977\p978\p979\p980\p981\p982\p983\p984\p985\p986\p987\p988\p989\p990\p991\p992\p993\p994\p995\p996\p997\p998\p999\p1000

EFK Moen, LLC
Civil Engineering Design
303 Fountain Parkway, Suite 240
Fairview Heights, IL 62208
Phone 618-206-4250

USER NAME * cdl	DESIGNED - CTW	REVISED -
PLDT SCALE = 8:2 1/2" = 1'	CHECKED - CDL	REVISED -
PLDT DATE = 5/9/2014	DRAWN - DP	REVISED -
	DATE - 5/9/2014	REVISED -

STATE OF ILLINOIS
DEPARTMENT OF TRANSPORTATION

VERTICAL CLEARANCE GAUGE DETAILS
STRUCTURE NO. 079-0019
SHEET NO. 13 OF 13 SHEETS

F.A.S. RTE.	SECTION	COUNTY	TOTAL SHEETS	SHEET NO.
85B	12VB-11	RANDOLPH	72	46
CONTRACT NO. 76409			ILLINOIS FED. AID PROJECT	