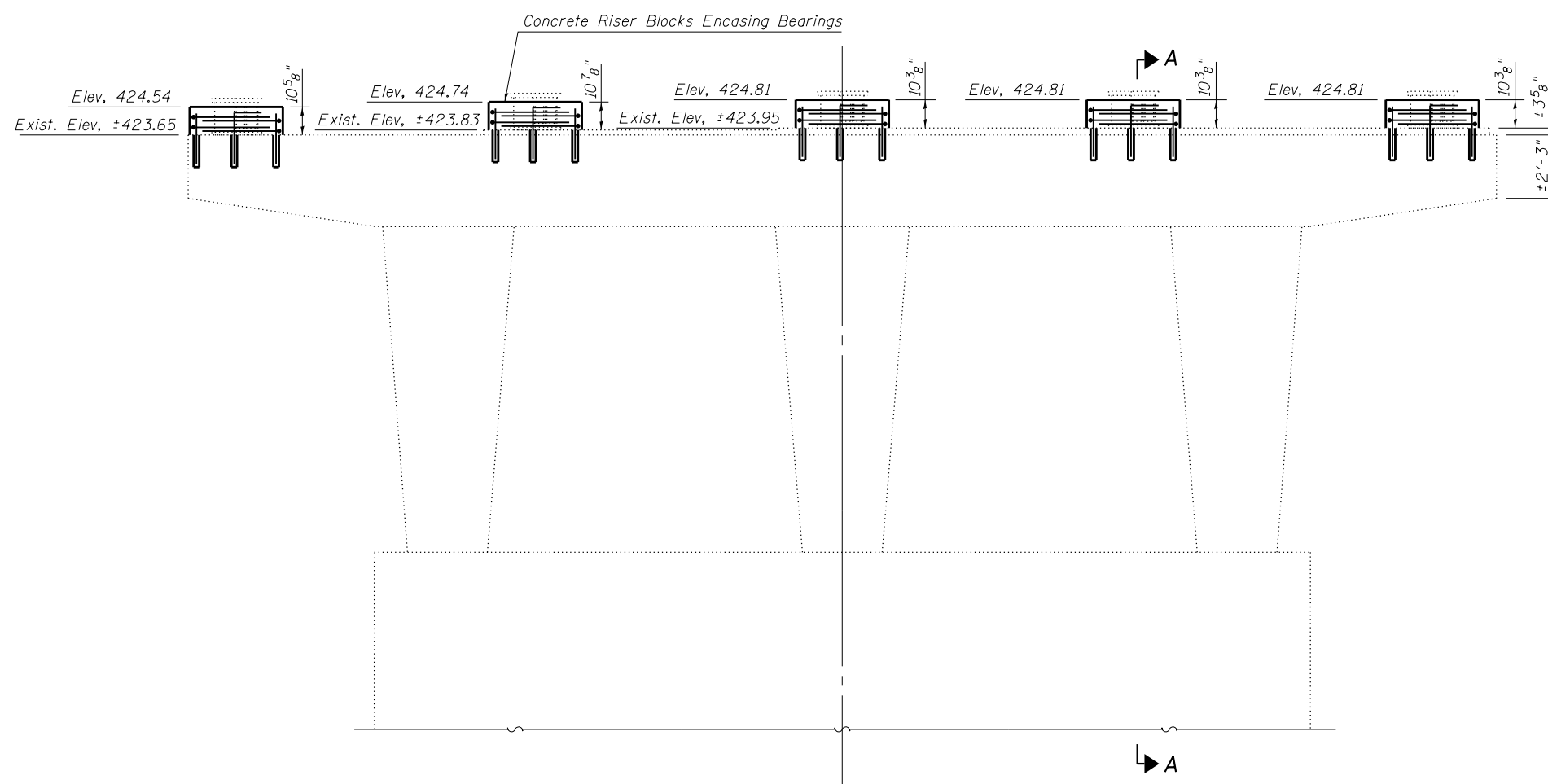


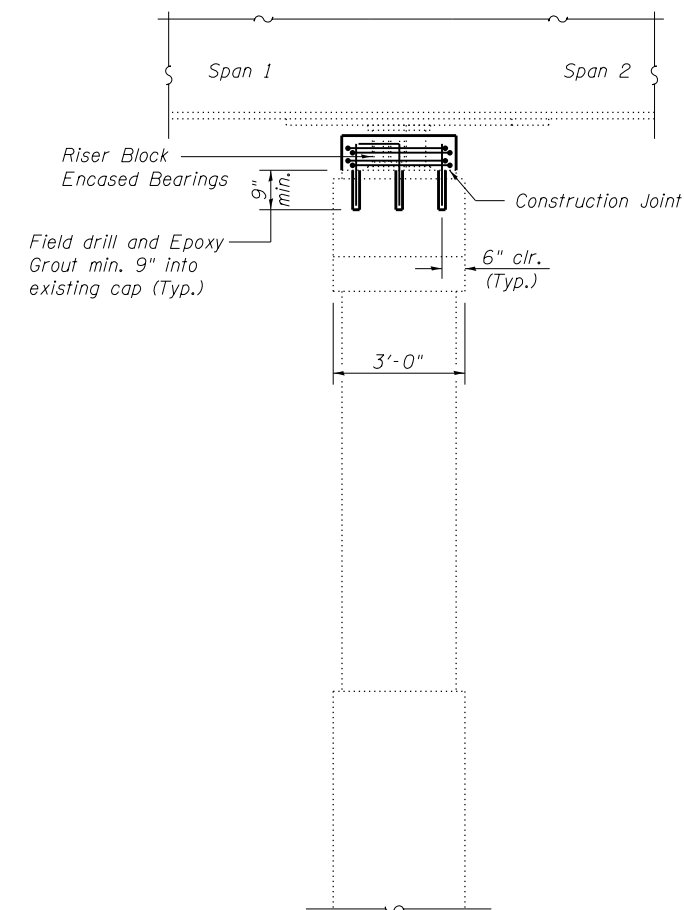
See Detail A (Typ.)
See sheet 22 of 26.

PLAN PIER CAP
(New Side Retainers not shown for clarity)

Notes:
Bars shall be drilled and grouted according to Section 584 of the Standard Specifications.



ELEVATION PIER 1
(Looking West)



SECTION A-A
(Showing Bearings and Superstructure)

FILE NAME = 0790020-76409-021-Pier 1.dgn	USER NAME = ckatveit	DESIGNED - BB	REVISED -
BERNARDINI LOCHMULLER & ASSOCIATES, INC. 3 OAK DRIVE MARYVILLE, IL 62442 PHONE (618) 284-4666 FAX (618) 284-4666	Illinois Design Firm Number 184,001670	CHECKED - ACS	REVISED -
	PLOT SCALE =	DRAWN - WJS	REVISED -
	PLOT DATE = 1:40:44 PM 7/28/2014	CHECKED - CJF	REVISED -

**STATE OF ILLINOIS
DEPARTMENT OF TRANSPORTATION**

**PIER 1 DETAILS
STRUCTURE NO. 079-0020**

SHEET NO. 21 OF 26 SHEETS

F.A.S. RTE.	SECTION	COUNTY	TOTAL SHEETS	SHEET NO.
858	12VB-1I	RANDOLPH	72	67
CONTRACT NO. 76409				
ILLINOIS FED. AID PROJECT				