

CAST IRON SURVEY MONUMENT COVER

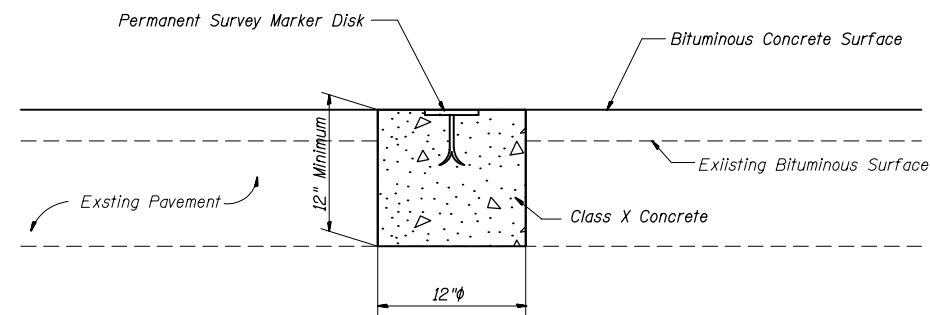
SECTION A-A

THREADED BRASS CAP

SURVEY MONUMENT COVER ASSEMBLY DETAIL

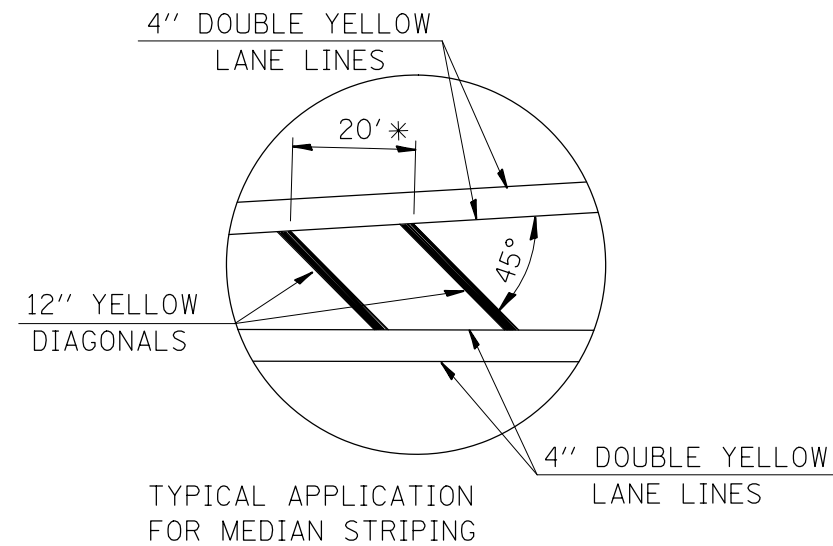
NOTES:

ALL DIMENSIONS IN INCHES
 ALL RADII ARE 3/8" UNLESS SPECIFIED
 ALL CHAMFERS ARE 45°
 ROUND ALL SHARP EDGES
 USE THREADS AND DIMENSIONS AS SPECIFIED OR EQUIV. BY APPROVAL OF THE ENGINEER.
 THE SURVEY MONUMENT COVER ASSEMBLY SHOWN IS AN EXAMPLE. OTHER MODELS, SIMILAR IN DESIGN, MAY BE USED WITH THE APPROVAL OF THE ENGINEER.
 THE THREADS OF THE CAP AND COVER WILL BE COATED WITH PIPE TAPE OR PIPE THREAD COMPOUND PRIOR TO INSTALLATION

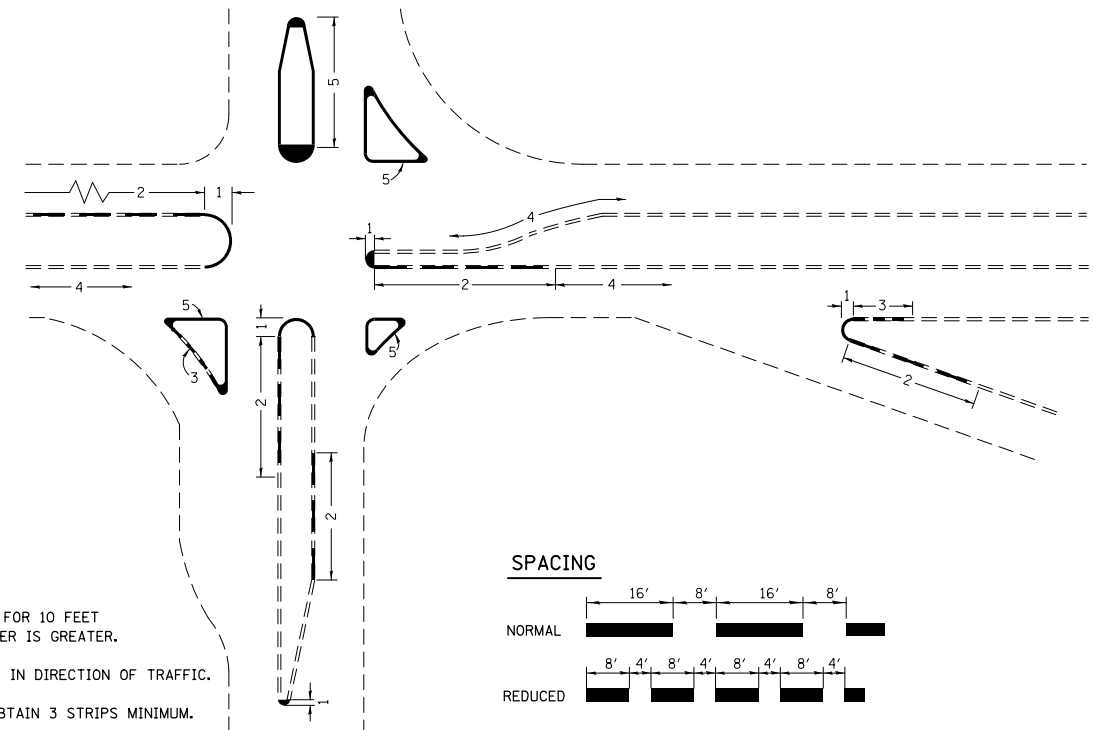


DETAIL OF PERMANENT SURVEY MARKER (SPECIAL)

NOTE: Class X Concrete shall be incidental to cost of Permanent Survey Marker (Special)



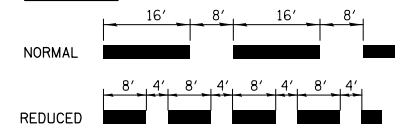
* 30' WHEN POSTED SPEED ≥ 45 MPH



NOTES

1. PAINT CURB AND NOSE SOLID FOR 10 FEET OR RADIUS OF NOSE, WHICHEVER IS GREATER.
2. PAINT MINIMUM OF 3 STRIPES IN DIRECTION OF TRAFFIC.
3. REDUCED SPACING USED TO OBTAIN 3 STRIPES MINIMUM.
4. STRIPING RECOMMENDED ONLY WHERE OPERATIONAL PROBLEMS DICTATE.
5. PAINT SOLID WHERE A MINIMUM OF 3 STRIPES CANNOT BE PLACED.

SPACING



PAINT CURB

NOT TO SCALE

FILE NAME =	USER NAME = \$USER*	DESIGNED -	REVISED -	STATE OF ILLINOIS DEPARTMENT OF TRANSPORTATION	DETAIL SHEET			F.A.P. RTE.	SECTION	COUNTY	TOTAL SHEETS	SHEET NO.
FILEL		DRAWN -	REVISED -		SCALE: NIS	SHEET NO. 1 OF 2 SHEETS	STA. _____ TO STA. _____	600	(130-1, 130-2)RS-2	ST. CLAIR	36	24
		CHECKED -	REVISED -					CONTRACT NO. 76G55				
		DATE -	REVISED -		FED. ROAD DIST. NO. - ILLINOIS FED. AID PROJECT							