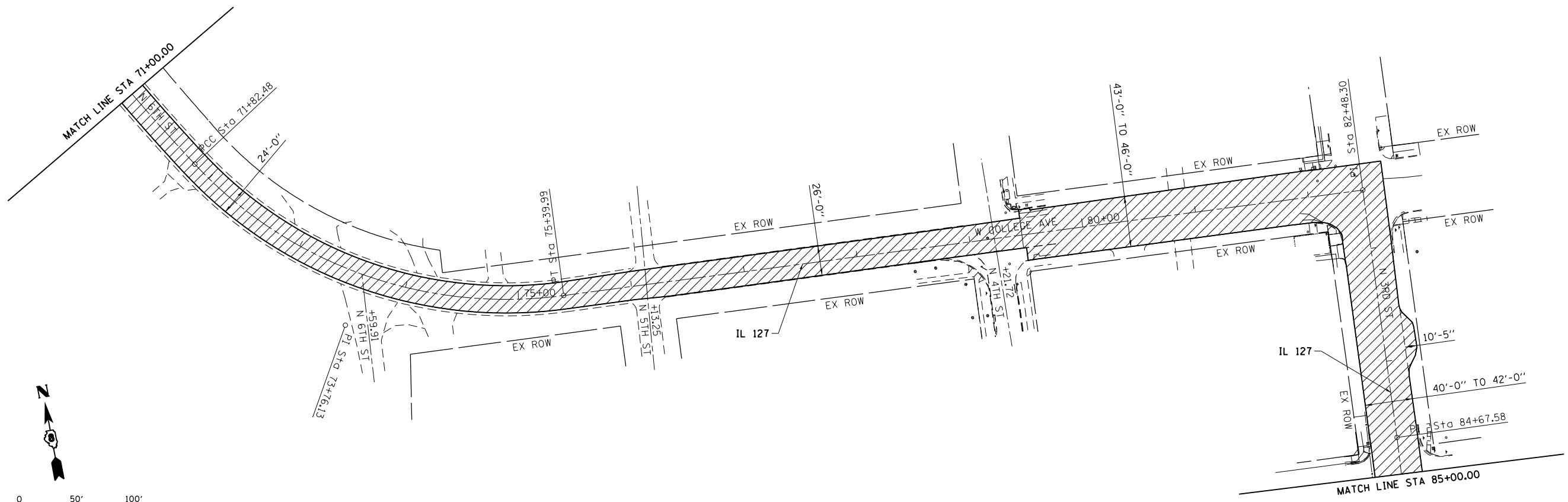
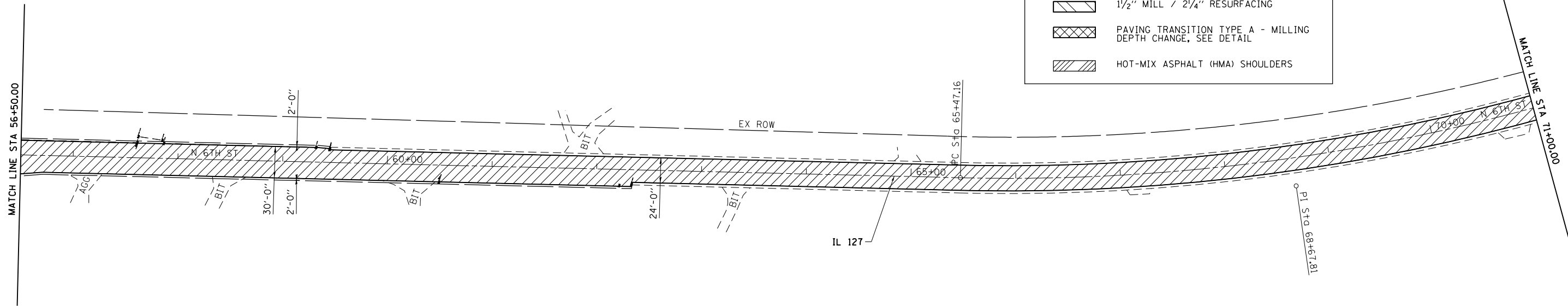


LEGEND	
	1/4" MILL / 1/4" RESURFACING
	2/4" MILL / 2/4" RESURFACING
	1/2" MILL / 2/4" RESURFACING
	PAVING TRANSITION TYPE A - MILLING DEPTH CHANGE, SEE DETAIL
	HOT-MIX ASPHALT (HMA) SHOULDERS



FILE NAME = H:\6513 1DOT DB Var\6513.12 WD 12 Greenville Resurfacing\CADD Sheets\0876679-sht-plot	USER NAME = btindall	DESIGNED -	REVISED -
SHT 3.56+50 to 85+00	PLOT SCALE = 100.0000' / in.	CHECKED -	REVISED -
	PLOT DATE = 6/13/2014	DATE -	REVISED -

**STATE OF ILLINOIS
DEPARTMENT OF TRANSPORTATION**

ILLINOIS ROUTE 127 ROADWAY RESURFACING PLAN			
SCALE: 1" = 50'	SHEET 3	OF 11 SHEETS	STA. 56+50.00 TO STA. 85+00.00

F.A.P. RTE. 42	SECTION (139-1.36-1.110-1)RS-1	COUNTY BOND	TOTAL SHEETS 68	SHEET NO. 18
CONTRACT NO. 76C79				
ILLINOIS FED. AID PROJECT				