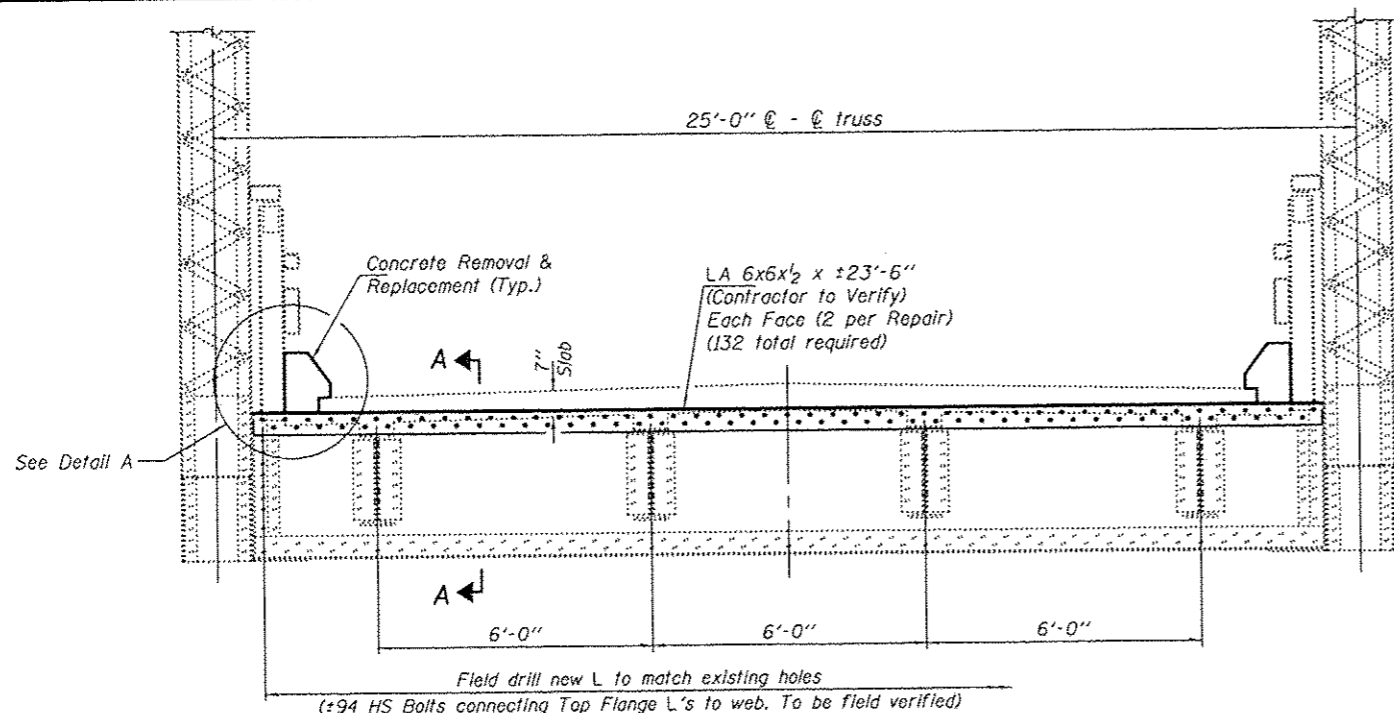
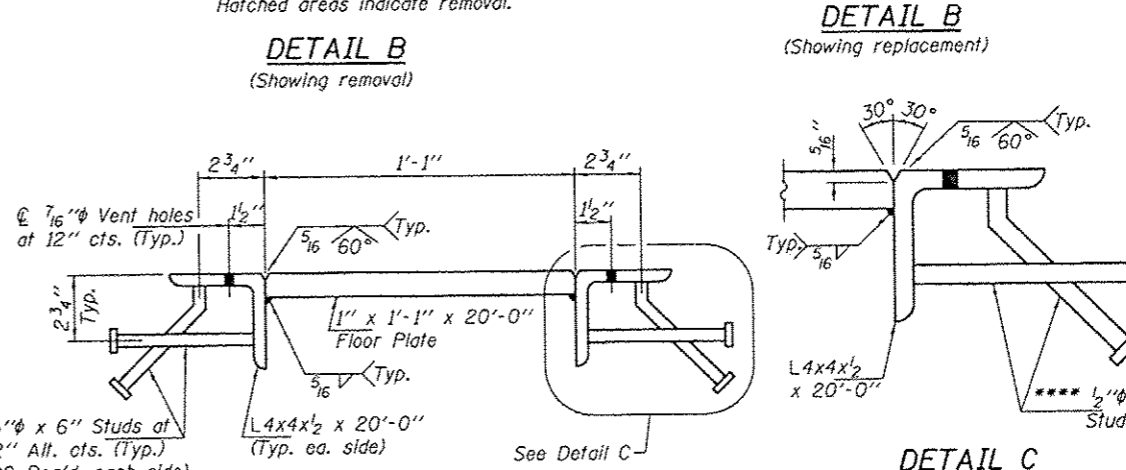
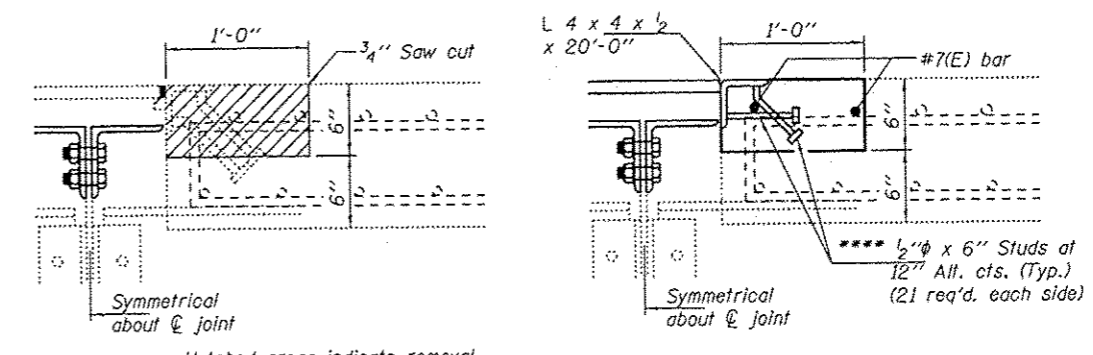


REPAIR A LOCATIONS

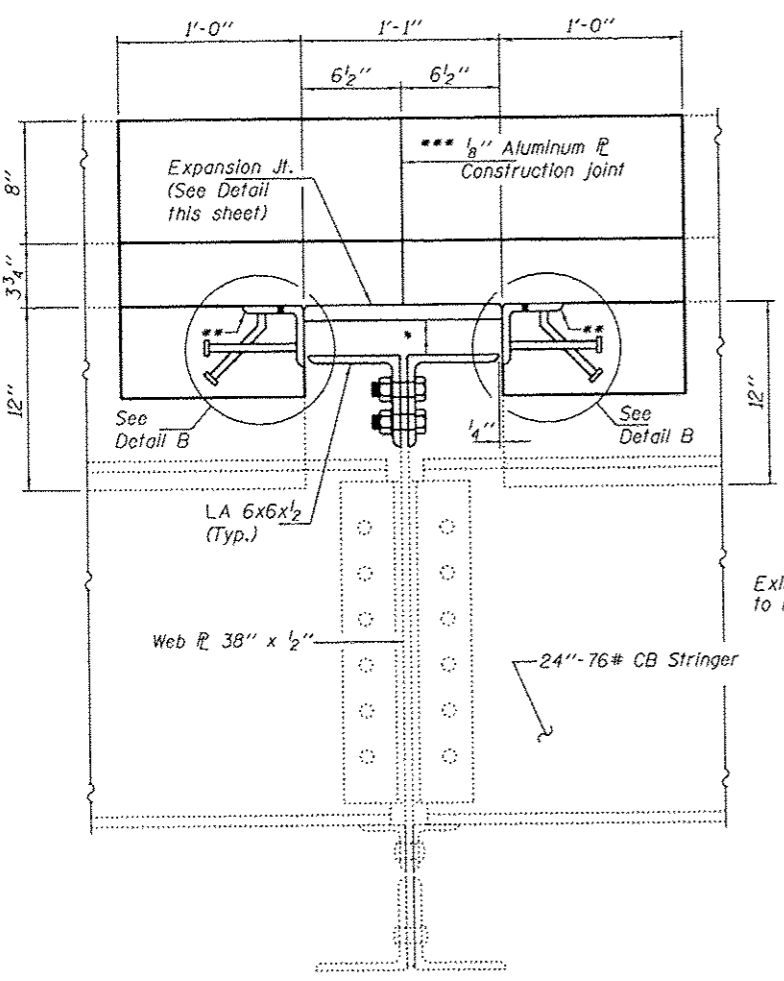
FB #	FB #
2	53
3	54
5	55
7	59
8	61
11	62
12	63
13	64
14	67
16	68
17	69
18	70
20	71
21	72
22	73
23	74
25	75
26	78
28	79
31	80
35	81
37	82
38	84
39	86
40	87
41	89
42	90
43	93
47	95
48	97
49	99
50	100
51	102



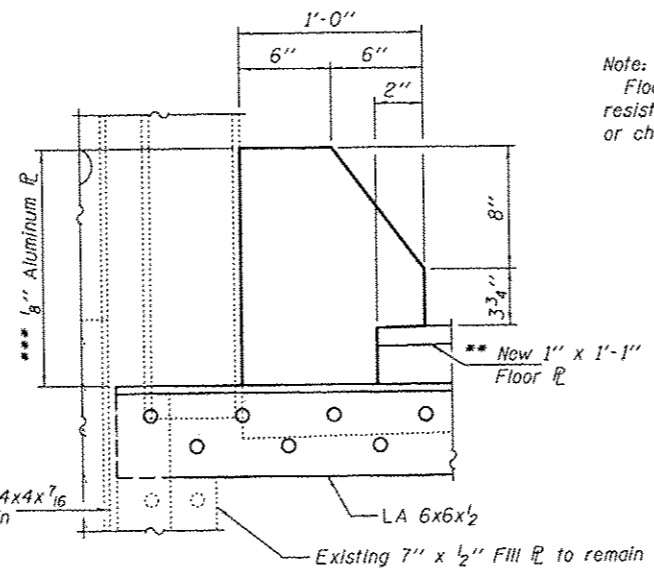
TYPICAL CROSS SECTION AT REPAIR A



SECTION C-C

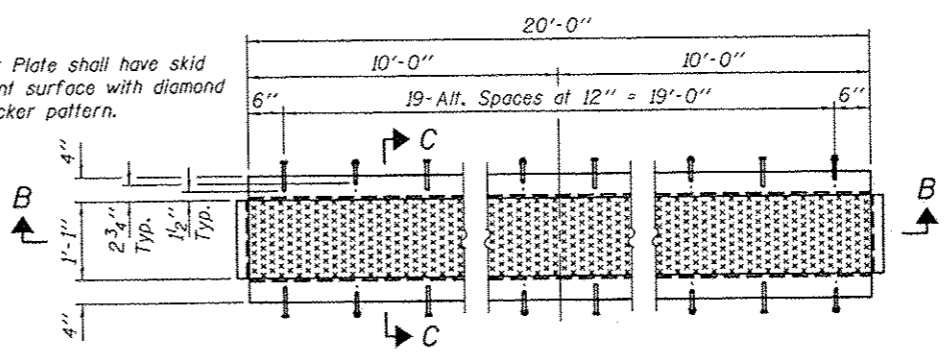


SECTION A-A

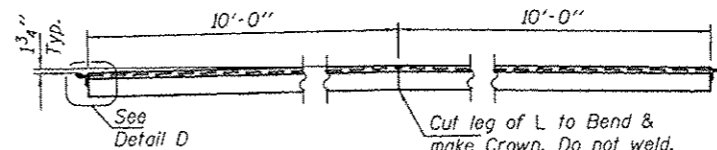


DETAIL A

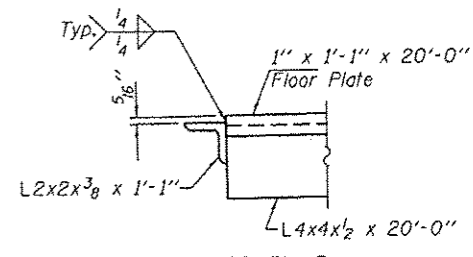
Note: Floor Plate shall have skid resistant surface with diamond or checker pattern.



EXPANSION JOINT DETAIL



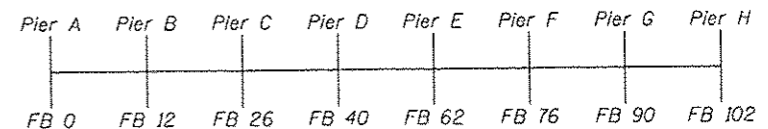
SECTION B-B



DETAIL D

- SUGGESTED METHOD OF FLOOR BEAM TOP ANGLE REPLACEMENT**
1. Remove concrete curb at ends of 1" x 12" floor angle. To be paid for as Concrete Removal.
 2. Remove 1" x 12" floor angle welded to embedded L's and 1" x 1" bar. Cost included with Concrete Removal.
 3. Install Temporary Support System.
 4. Remove rivets from top 6x6x1/2 angles and remove angles in one piece. Cost of removing angles is to be paid for as Structural Steel Removal.
 5. Use existing angles as template to field drill bolt holes in new 6x6x1/2 angles.
 6. Install new 6x6x1/2 angles. Because of the confined location it may not be possible to tighten the bolts using power equipment. Cost included with Structural Steel Repair.
 7. Remove Temporary Support System.
 8. Remove and replace joint angles and portion of concrete deck. To be paid for as Concrete Superstructures.
 9. Install new Floor angle and angles full length. Cost included with Furnishing & Erecting Structural Steel.
 10. Pour new concrete curbs. Cost included with Concrete Superstructures.

- * Varies from ±1/2" to ±5"
- ** To be removed and replaced. Removal cost included with Concrete Removal. Replacement cost included with Furnishing & Erecting Structural Steel.
- *** Cost of Aluminum angle is included with Concrete Superstructure.
- **** Granular or solid Flux filled headed studs conforming to Article 1006.32 of the Std. Specs., automatically end welded.



PIER & FLOORBEAM LAYOUT SKETCH