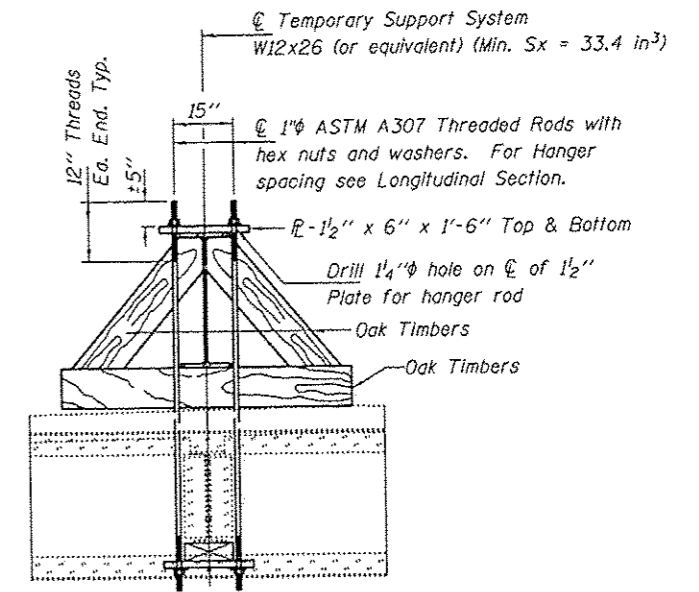
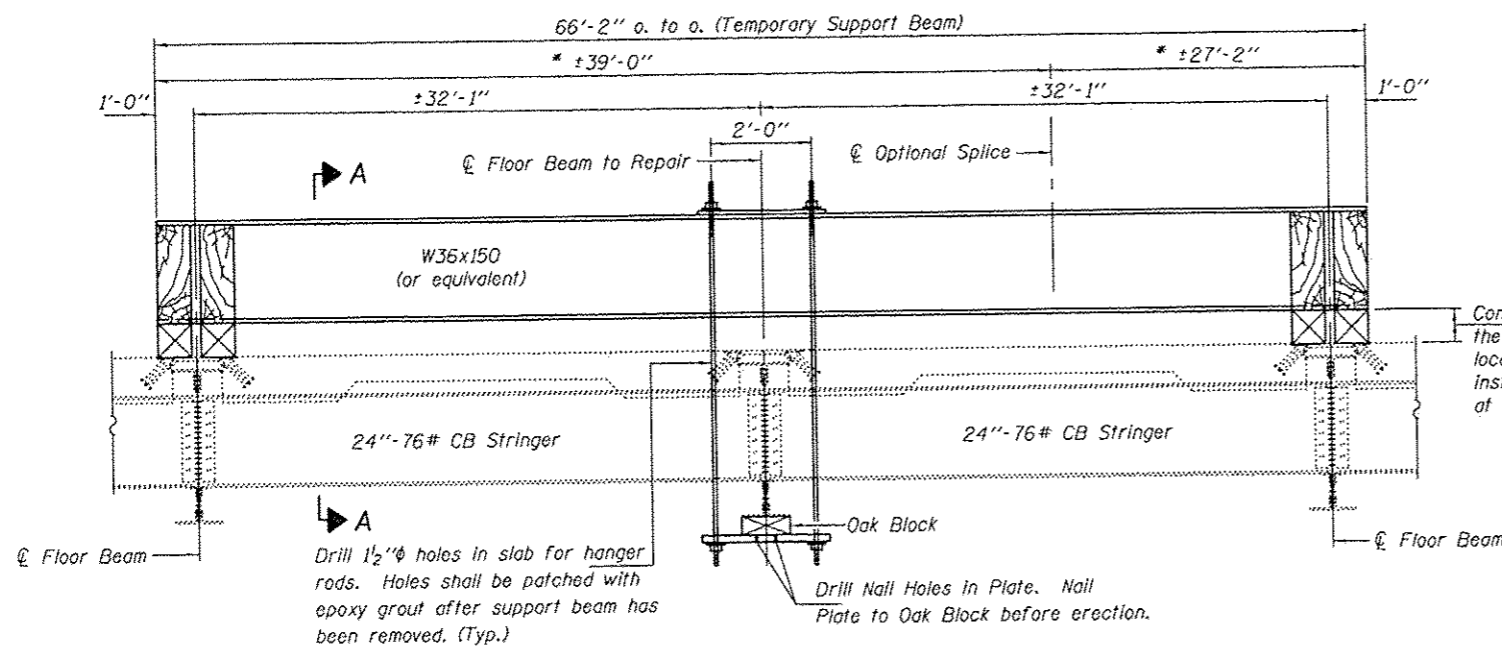


SECTION A-A



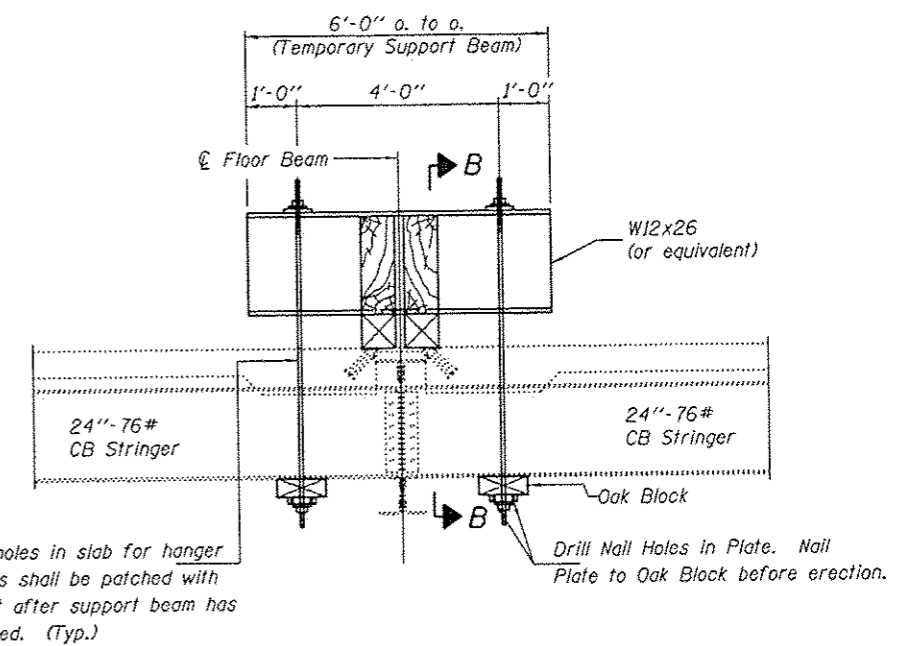
SECTION B-B

\* These dimensions may vary for available beams in stock.



REPAIR A  
LONGITUDINAL SECTION  
SUGGESTED TEMPORARY SUPPORT SYSTEM  
(66 Locations)

Contractor should determine the clear height at the support locations that will allow him to install the replacement angle of the floor beam in one piece.



REPAIR ITEM 231  
LONGITUDINAL SECTION  
SUGGESTED TEMPORARY SUPPORT SYSTEM  
(1 Location)

DESIGNED TLC  
CHECKED ATH  
DRAWN Steffen  
CHECKED TLC ATH

EXAMINED  
PASSED  
Timothy A. Bracht  
ACTING ENGINEER OF STRUCTURAL SERVICES  
Carly Steffen  
ACTING ENGINEER OF BRIDGES AND STRUCTURES

DATE AUGUST 1, 2014  
REVISED  
REVISED

STATE OF ILLINOIS  
DEPARTMENT OF TRANSPORTATION

FLOORBEAM REPAIR DETAILS  
SN 002-0005

SHEET NO. 8 OF 13 SHEETS

F.A.S. RTE. 544	SECTION (1380-BR)-1-7	COUNTY ALEXANDER	TOTAL SHEETS 17	SHEET NO. 12
CONTRACT NO. 78400				
ILLINOIS FED. AID PROJECT				