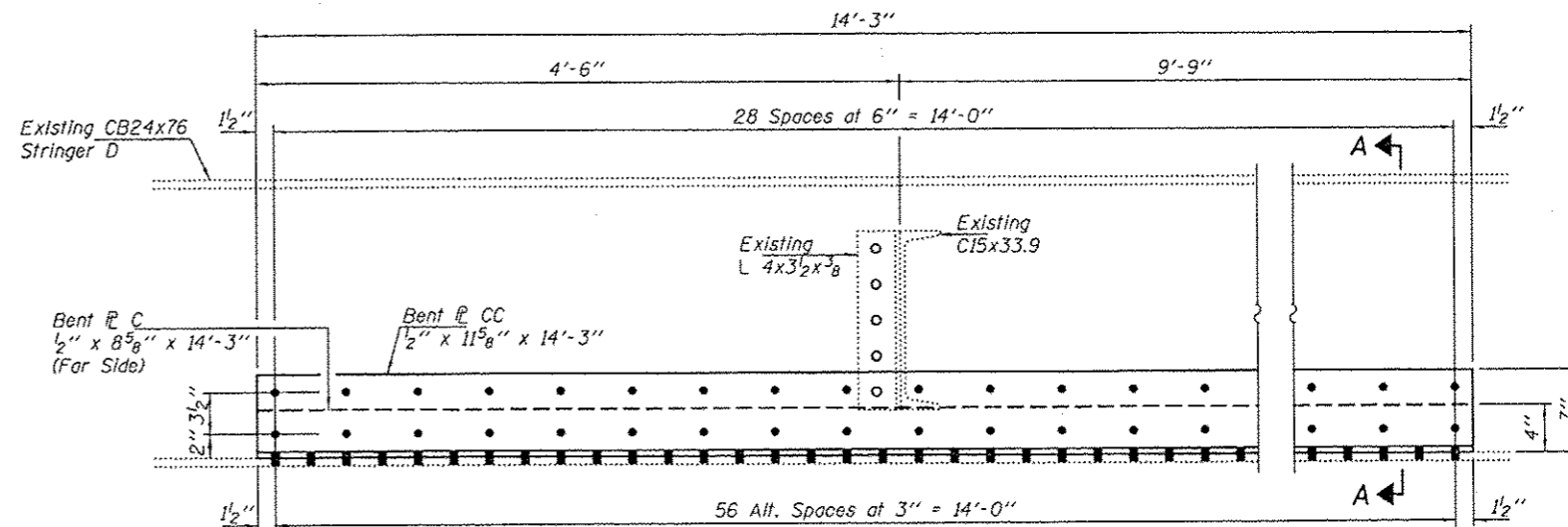
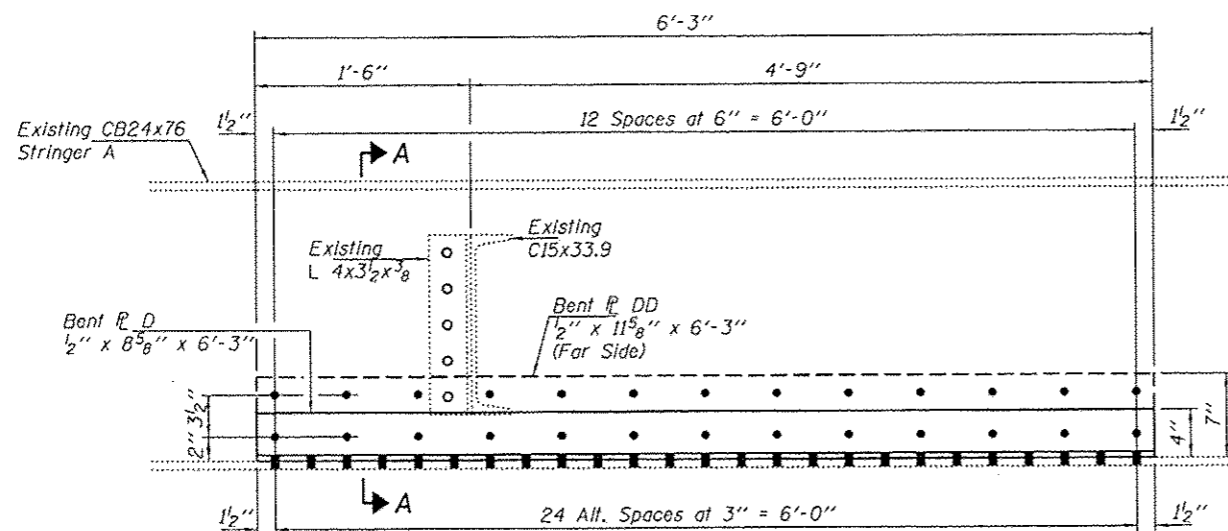


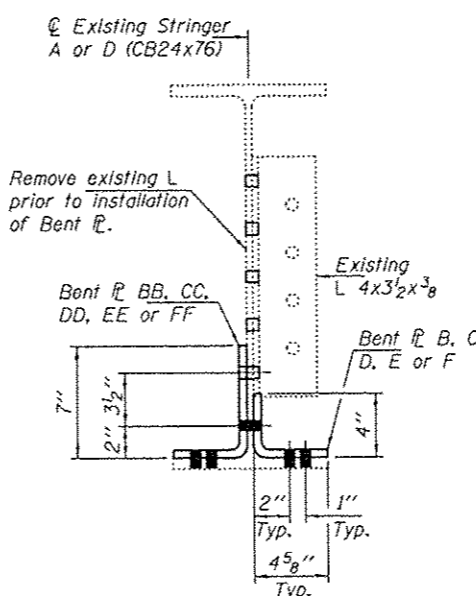
ITEM B REPAIR DETAILS
(Looking West)



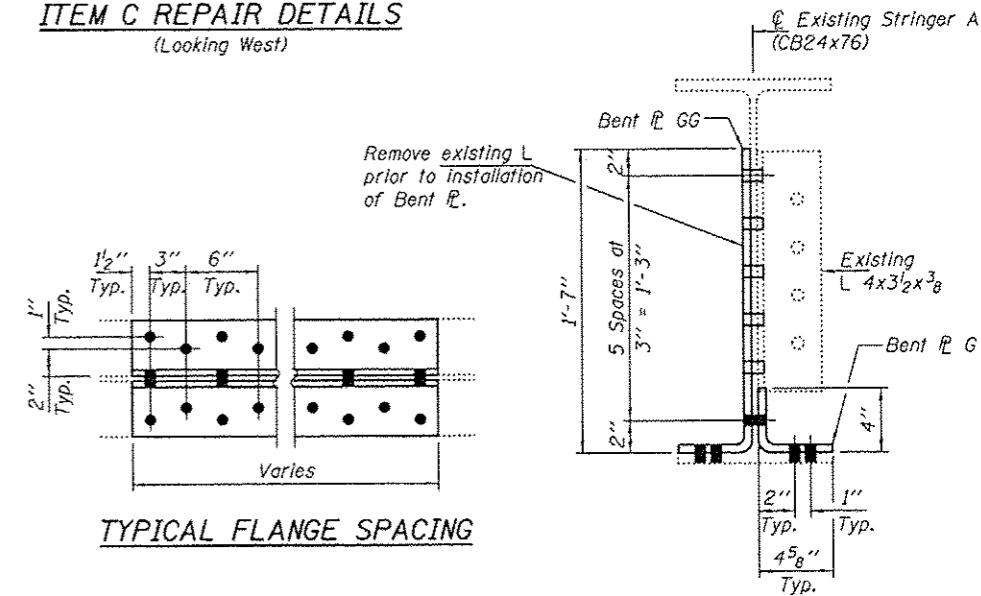
ITEM C REPAIR DETAILS
(Looking West)



ITEM D REPAIR DETAILS
(Looking West)



SECTION A-A

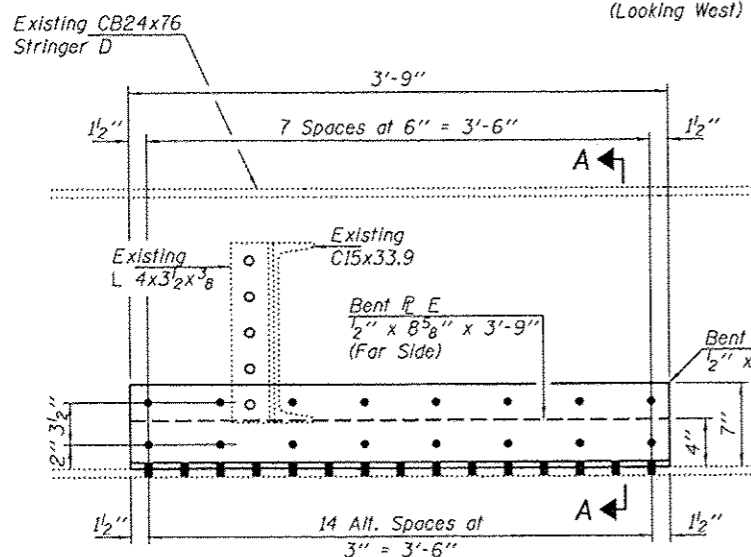


SECTION B-B

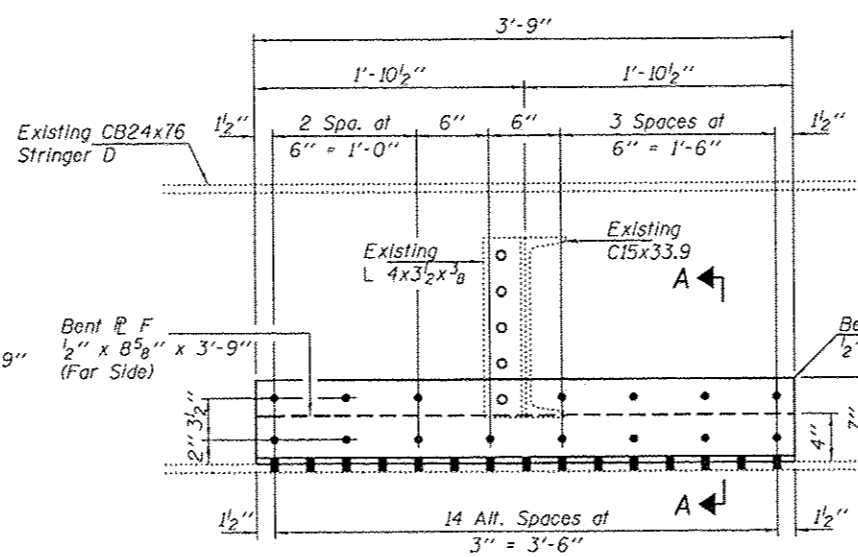
TYPICAL FLANGE SPACING

BOLT HOLE LEGEND

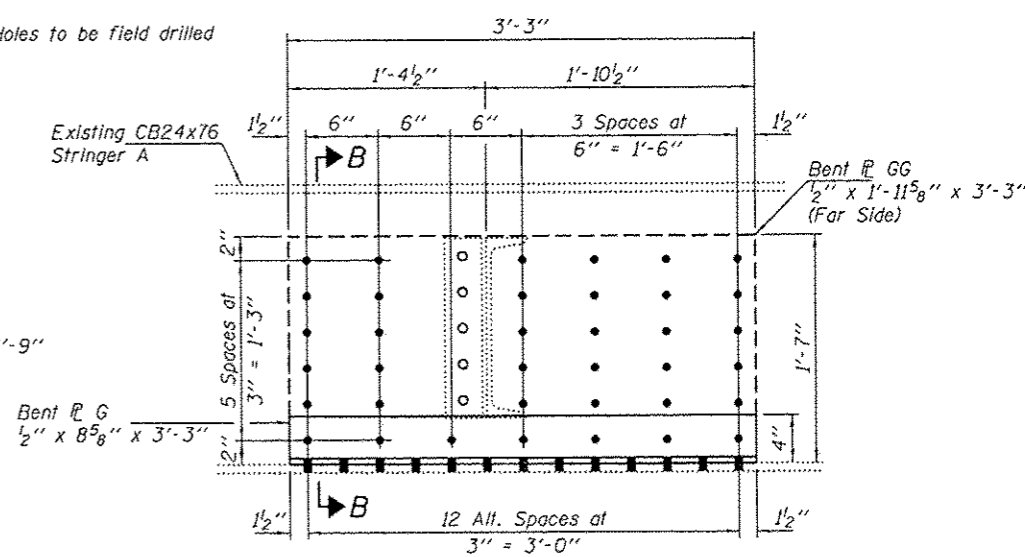
- - Holes to be shop drilled
- - Holes to be field drilled



ITEM E REPAIR DETAILS
(Looking West)



ITEM F REPAIR DETAILS
(Looking West)



ITEM G REPAIR DETAILS
(Looking West)

DESIGNED TLC	EXAMINED Timothy A. Ball	DATE AUGUST 1, 2014
CHECKED ATH	PASSED ACTING ENGINEER OF STRUCTURAL SERVICES	REVISED
DRAWN Steffen	ACTING ENGINEER OF BRIDGES AND STRUCTURES	REVISED
CHECKED TLC ATH		

STATE OF ILLINOIS
DEPARTMENT OF TRANSPORTATION

STRINGER REPAIR DETAILS
SN 002-0005

SHEET NO. 8 OF 13 SHEETS

F.A.S. RTE. 944	SECTION (1380-BR11-7)	COUNTY ALEXANDER	TOTAL SHEETS 17	SHEET NO. 13
				CONTRACT NO. 78400
ILLINOIS FED. AID PROJECT				