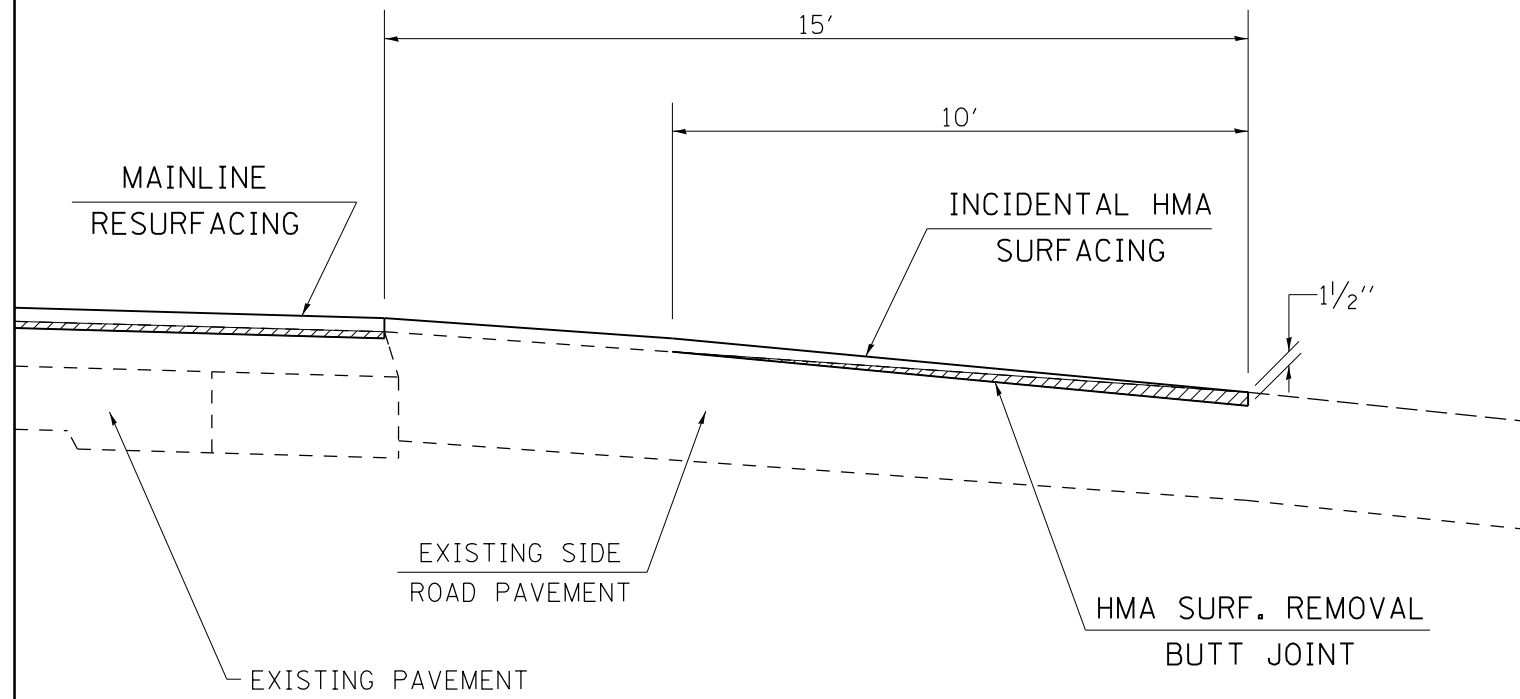
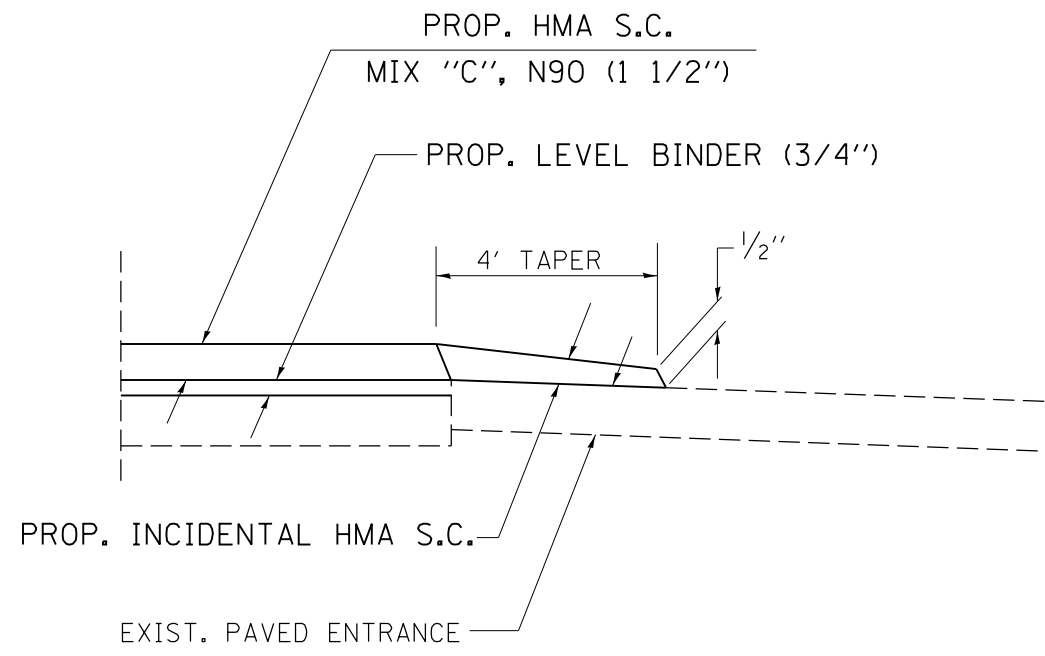


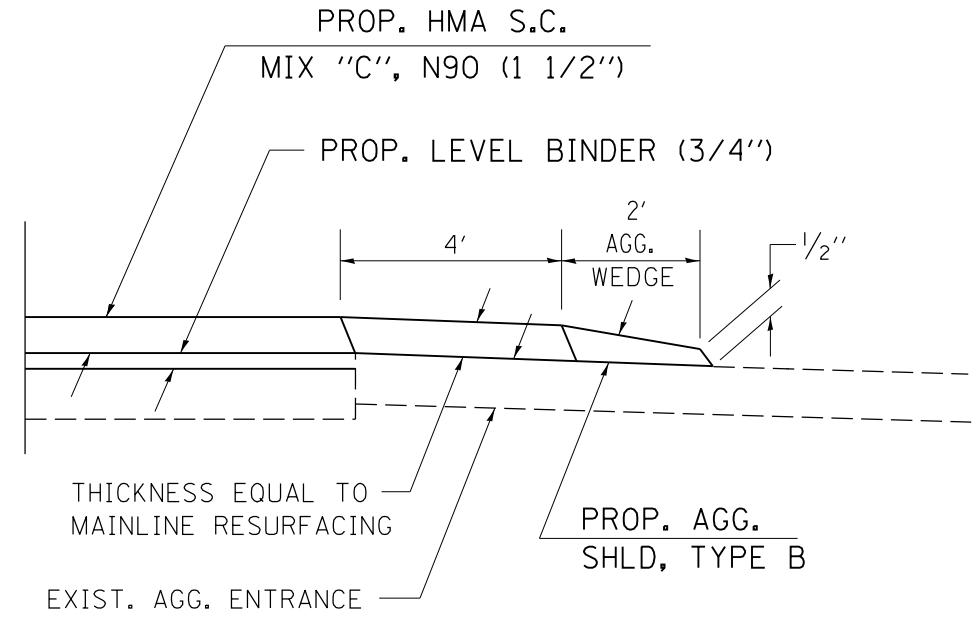
SIDE ROAD DETAIL



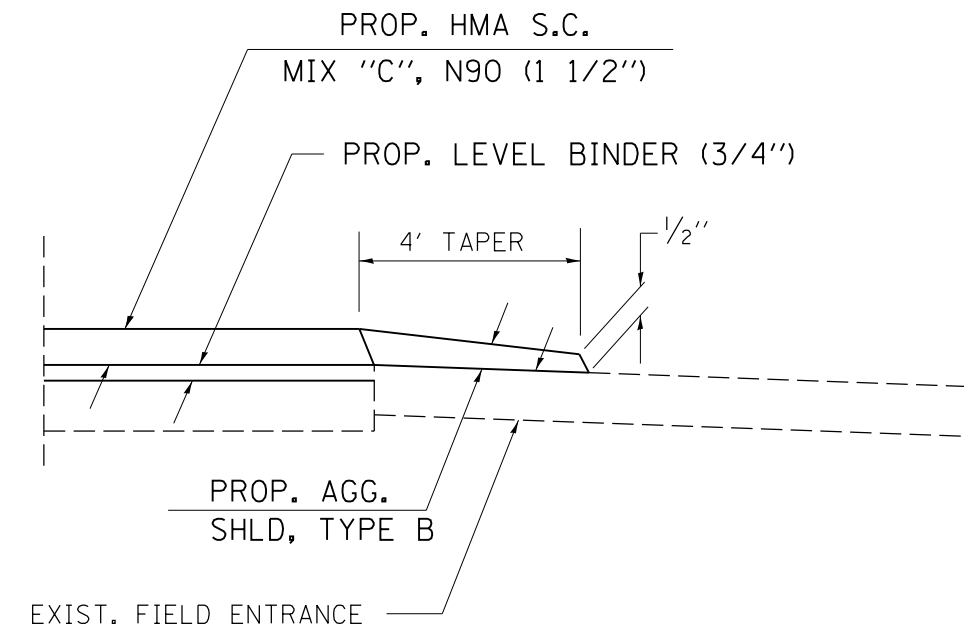
HMA, PCC, OR OIL & CHIP PRIVATE OR COMMERCIAL ENTRANCE



AGG. PRIVATE OR COMMERCIAL ENTRANCE



AGG. OR EARTH FIELD ENTRANCE



FILE NAME =	USER NAME = \$USER\$	DESIGNED -	REVISED -
c:\pwork\pwork\pwork\lavenderba\d0402101\78435-shtu-details.dgn		DRAWN -	REVISED -
	PLOT SCALE = 100.0000' / 1in.	CHECKED -	REVISED -
\$MODELNAME\$	PLOT DATE = 7/2/2014	DATE -	REVISED -

**STATE OF ILLINOIS
DEPARTMENT OF TRANSPORTATION**

SCALE:	SHEET	OF	SHEETS	STA.	TO	STA.
F.A.P. RTE.	SECTION	COUNTY	TOTAL SHEETS	SHEET NO.		
726	116RS-5,12ORS-6	PULASKI	17	16	CONTRACT NO. 78435	
ILLINOIS FED. AID PROJECT						