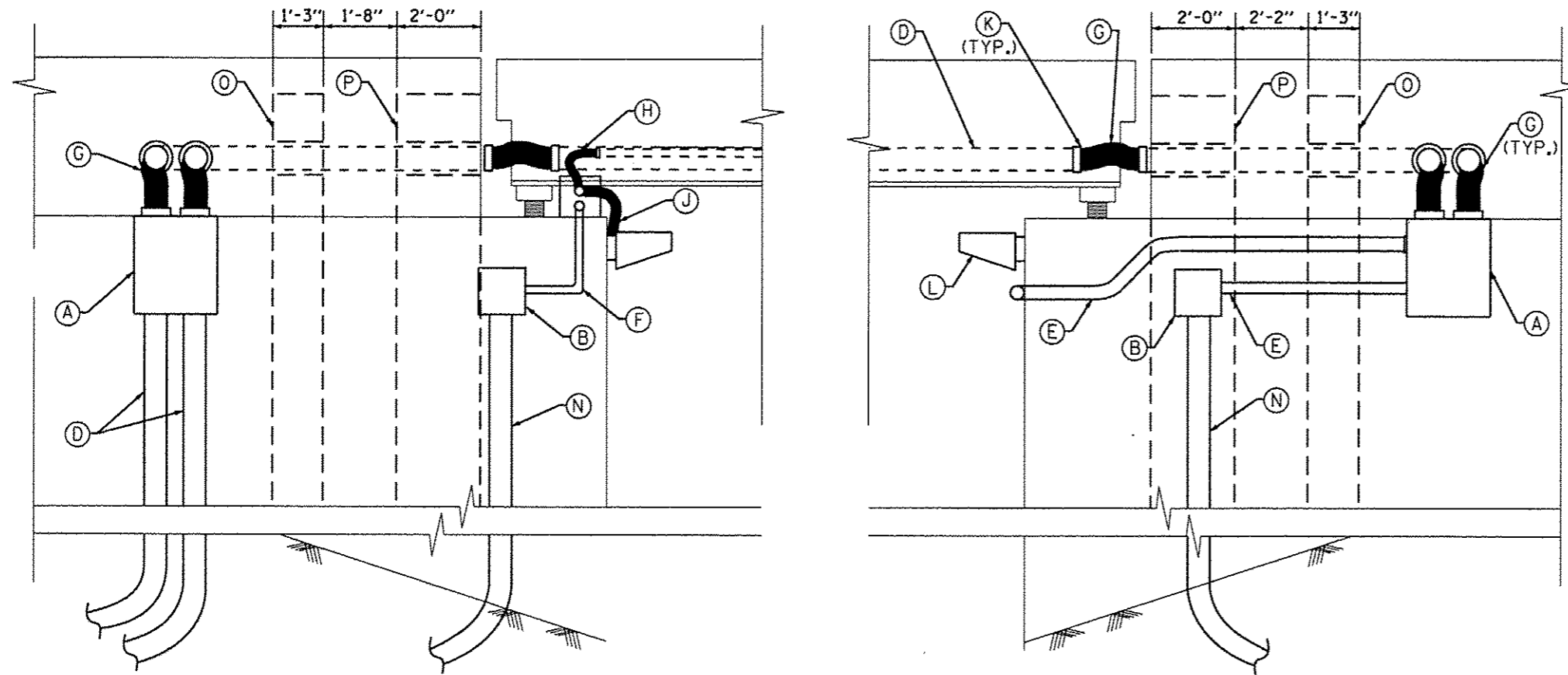
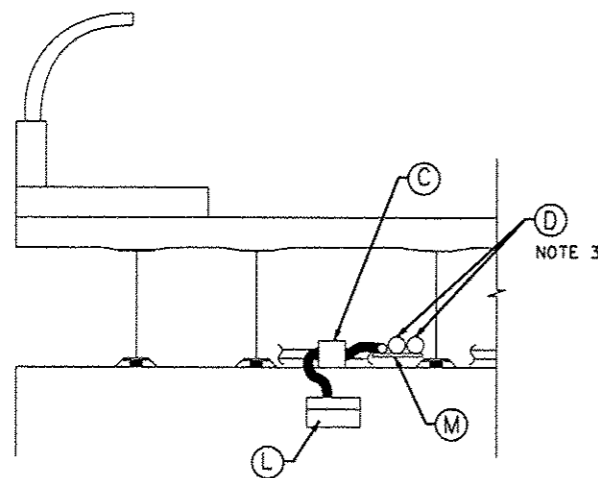


**LEGEND**

- (A) PROPOSED JUNCTION BOX, STAINLESS STEEL, 24"X24"X10" ATTACHED TO STRUCTURE
- (B) EXISTING JUNCTION BOX ATTACHED TO STRUCTURE
- (C) PROPOSED JUNCTION BOX, STAINLESS STEEL, 12"X10"X6" ATTACHED TO TOP OF THE PIER CAP
- (D) 3" PVCC RGC ATTACHED TO STRUCTURE
- (E) 2" PVCC RGC ATTACHED TO STRUCTURE,
- (F) 1" PVCC RGC ATTACHED TO STRUCTURE,
- (G) 3" LIQUIDTIGHT FLEXIBLE CONDUIT, 3FT
- (H) 1" LIQUIDTIGHT FLEXIBLE CONDUIT, 2FT
- (J) 3/4" LIQUIDTIGHT FLEXIBLE CONDUIT, 5FT
- (K) PVCC RGS TO LIQUIDTIGHT FLEXIBLE CONDUIT COUPLING SIZE PER CONDUIT
- (L) UNDERPASS LUMINAIRE
- (M) HARDWARE FOR CONDUIT SUPPORT
- (N) EXISTING CONDUIT
- (O) EXISTING COUNTERFORT WALL
- (P) NEW ABUTMENT BACKWALL



**SECTION A-A**  
**ELEVATION VIEW LOOKING NORTH AT SOUTH WING WALLS**  
**ATTACHED CONDUIT TRANSITION DETAILS**



**SECTION B-B**  
**ELEVATION VIEW LOOKING WEST AT WEST ABUTMENT WALL**

**NOTES:**

1. SEE STANDARD DETAIL DRAWING BE-902 FOR MORE DETAILS.
2. SEE PROPOSED UNDERPASS LIGHTING PLANS FOR WIRING.
3. SEE CONDUIT MOUNTING DETAILS SHEET E-5 FOR MORE INFORMATION.
4. CORE DRILL HOLES THROUGH EXISTING WING WALLS AND EXISTING COUNTERFORT WALL FOR 3" PVCC RGC CONDUIT PENETRATION. CORE DRILLING SHALL BE INCLUDED IN THE COST OF 3" PVCC RGC CONDUIT INSTALLATION.
5. PROVIDE GALVANIZED STEEL SLEEVE FOR EACH CONDUIT PENETRATION IN NEW ABUTMENT BACKWALL. SLEEVE DIAMETER SHALL BE 1" LARGER THAN CONDUIT OUTSIDE DIAMETER. GALVANIZED STEEL SLEEVE SHALL BE INCLUDED IN THE COST OF 3" PVCC RGC CONDUIT.

J:\298\Draw\CADD\_Sheets\DOT\160J15-sh11-11-904.dgn



USER NAME	* kpro_japati	DESIGNED	- BN	REVISED	-
		DRAWN	- AM	REVISED	-
PLOT SCALE	* 00.000000:1.000000	CHECKED	- KGP	REVISED	-
PLOT DATE	* 15-MAY-2013 17:25	DATE	- 5/15/2013	REVISED	-

**STATE OF ILLINOIS**  
**DEPARTMENT OF TRANSPORTATION**

**63rd STREET OVER DAN RYAN EXPRESSWAY (I-90 /94)**  
**CONDUIT TRANSITION DETAILS**

SCALE: N.T.S. SHEET NO. 4 OF 13 SHEETS STA. TO STA.

F.A.I. RTE.	SECTION	COUNTY	TOTAL SHEETS	SHEET NO.
94	1920-B	COOK	137	50
FED. ROAD DIST. NO. 1 ILLINOIS FED. AID PROJECT			CONTRACT NO. 60J15	