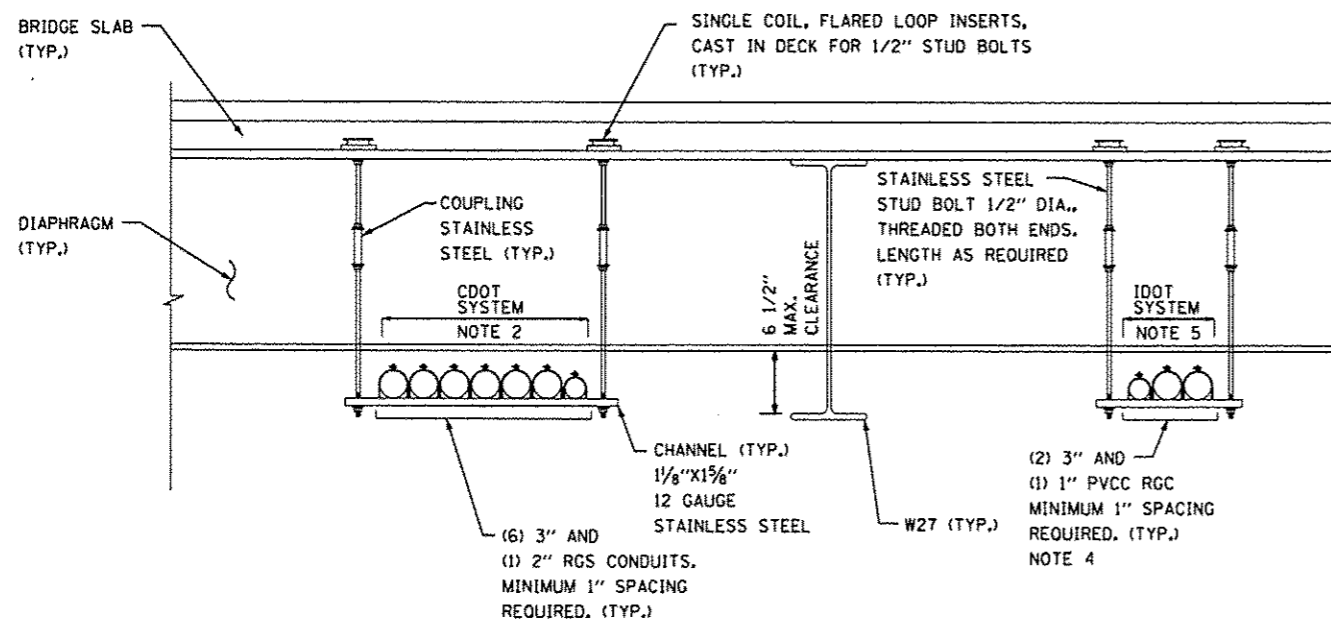
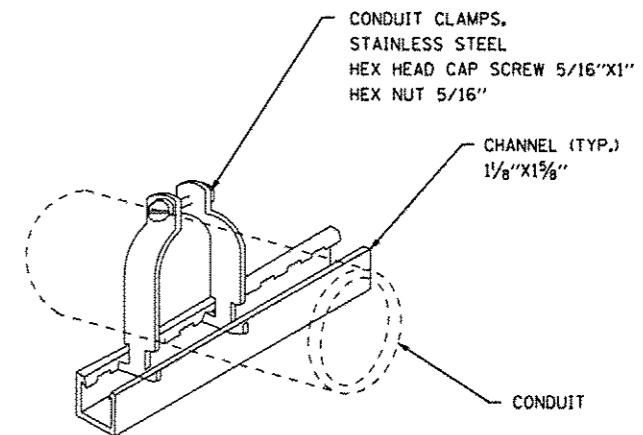


CONDUIT SUPPORT DETAIL UNDER WB 63RD ST. LANES
LOOKING EAST



CONDUIT SUPPORT DETAIL UNDER EB 63RD ST. LANES
LOOKING EAST



CONDUIT CLAMP
DETAIL

NOTES:

1. CONDUIT SUPPORT SHALL BE INSTALLED EVERY 10FT. COORDINATE WITH STRUCTURAL ENGINEER FOR SUPPORT INSTALLATION.
2. CONDUIT SUPPORT SYSTEM INCLUDING ALL ASSOCIATED HARDWARE SHALL BE INCLUDED IN THE COST OF 3-INCH RGS CONDUIT PAY ITEM INCLUDED IN TRAFFIC SIGNAL PLANS. SEE TRAFFIC SIGNAL PLANS FOR CONDUIT ROUTING.
3. SEE STRUCTURE PLANS FOR LOCATION OF CONDUIT MOUNTING ASSEMBLIES.
4. SEE PROPOSED UNDERPASS LIGHTING PLANS SHEET E-2 FOR CONDUIT ROUTING.
5. CONDUIT SUPPORT SYSTEM INCLUDING ALL HARDWARE SHALL BE INCLUDED IN THE COST OF 3-INCH PVC RGC FOR HIGHMAST LIGHTING.

CONDUIT MOUNTING DETAILS ALONG BRIDGE
N.T.S.

J:\288\001\CADD_Sheets\DOT\60J15-sh1-tr05.dgn

SINGH
SINGH & ASSOCIATES INC.
CONSULTING ENGINEERS

USER NAME : kprajapati
PLOT SCALE : 00.00000001.000000
PLOT DATE : 15-MAY-2013 17:25

DESIGNED - BN
DRAWN - AM
CHECKED - KGP
DATE - 5/15/2013

REVISED -
REVISED -
REVISED -
REVISED -

STATE OF ILLINOIS
DEPARTMENT OF TRANSPORTATION

63rd STREET OVER DAN RYAN EXPRESSWAY (1-90 /94)
CONDUIT MOUNTING DETAILS ALONG BRIDGE

SCALE: N.T.S. SHEET NO. 5 OF 13 SHEETS STA. TO STA.

F.A.I. RTE.	SECTION	COUNTY	TOTAL SHEETS	SHEET NO.
94	1920-B	COOK	137	51
CONTRACT NO. 60J15				
FED. ROAD DIST. NO. 1 ILLINOIS FED. AID PROJECT				