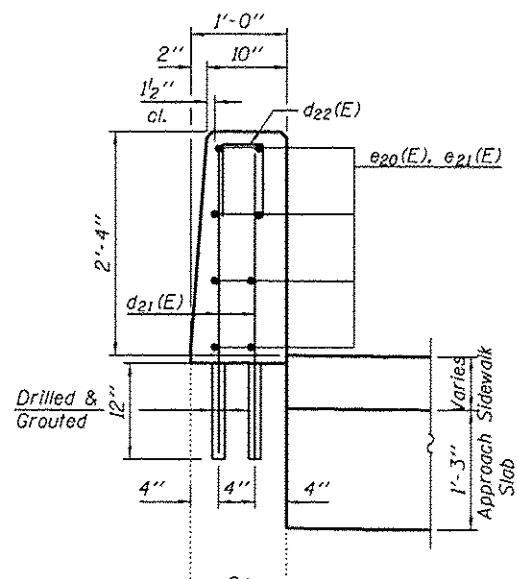
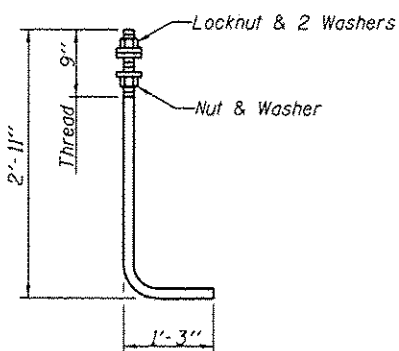
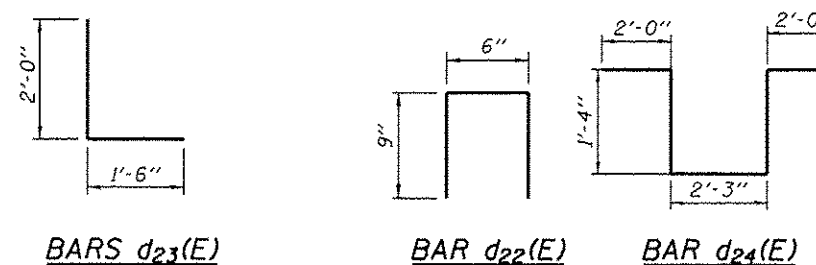


**FOUR WINGWALLS
BILL OF MATERIAL**

Bar	No.	Size	Length	Shape
d21(E)	344	#6	3'-2"	—
d22(E)	44	#4	2'-0"	□
d23(E)	6	#6	3'-6"	L
d24(E)	10	#6	8'-11"	└
e20(E)	16	#5	40'-8"	—
e21(E)	16	#5	39'-3"	—
e22(E)	8	#5	2'-10"	—
e23(E)	8	#5	2'-8"	—
Concrete Removal		Cu. Yds.	15	
Reinforcement Bars, Epoxy Coated		Pound	3,240	
Concrete Superstructure		Cu. Yds.	13.7	
Structural Repair of Concrete (Depth equal to or less than to 5")		Sq. Ft.	30	
Epoxy Crack Injection		Ft.	6	

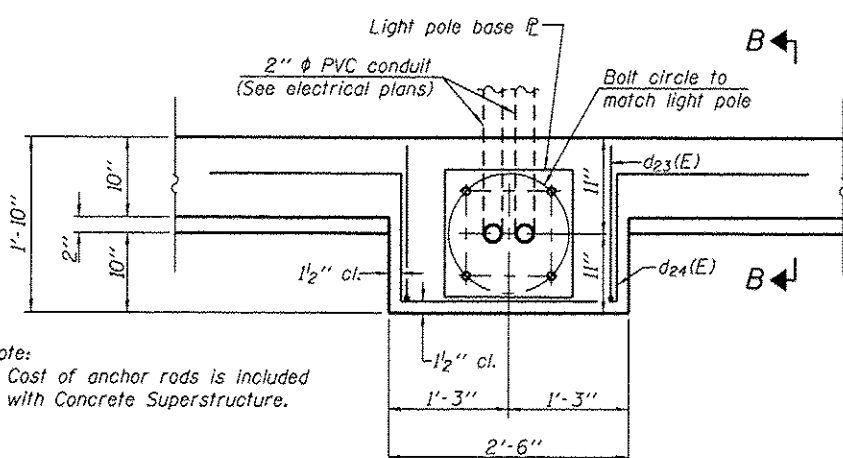


SECTION THRU PARAPET

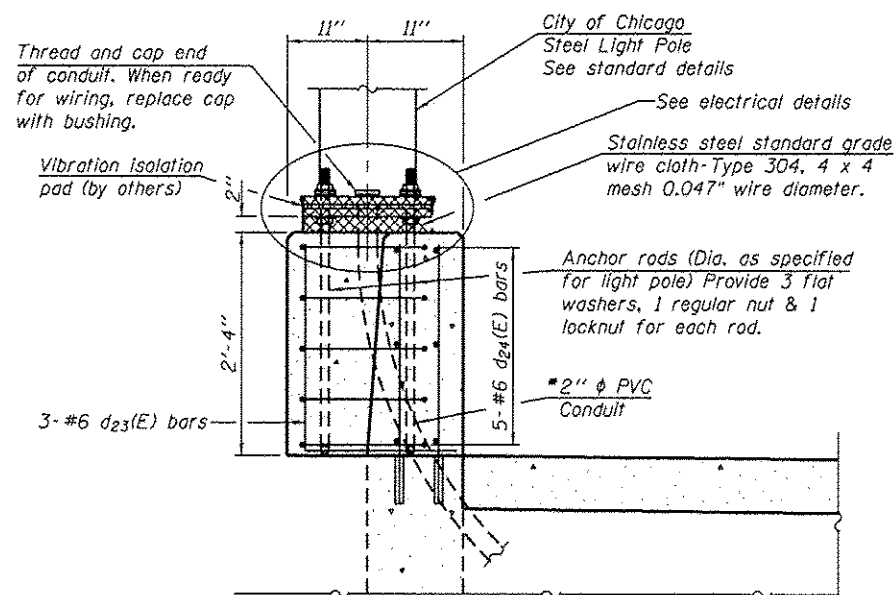


ANCHOR ROD

Diameter as specified for light poles.
(ASTM F 1554 Grade 105)



PLAN-LIGHT POLE BASE



SECTION B-B

H:\p\p2011\20110222\CAD\Structural\016-1149-Final\00\0160105-537-wr-dt.dgn
 5/20/2013 11:24:33 AM

USER NAME	DESIGNED - J.Z.	REVISED -
PLOT SCALE	CHECKED - J.A.Z.	REVISED -
PLOT DATE	DRAWN - E.E.J.	REVISED -
	DATE - 5/17/2013	REVISED -

F.A.I. RTE.	SECTION	COUNTY	TOTAL SHEETS	SHEET NO.
94	1920-B	COOK	137	96
				CONTRACT NO. 60J15
ILLINOIS FED. AID PROJECT				