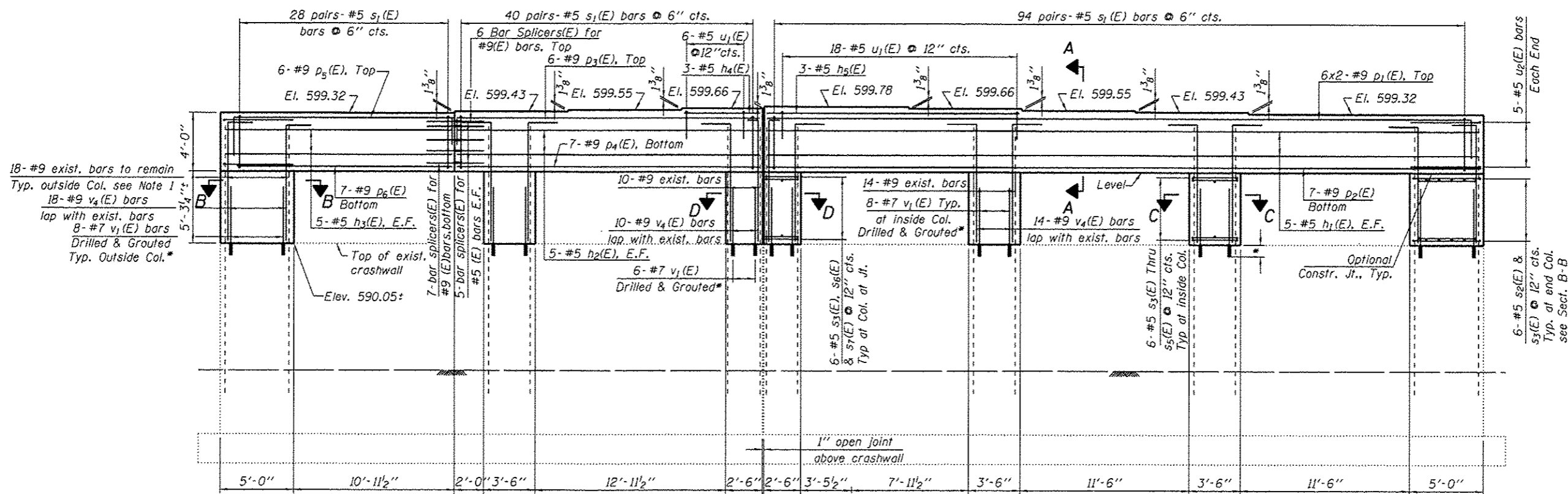


TOP PLAN



PIER 2 ELEVATION
(Looking East)

NOTES

1. Clean and reuse 8'-7" length of existing #9 vertical column bars at all columns. Cost included with Concrete Removal.
2. *Epoxy grout $v_1(E)$ bars in 13" (min.) drilled holes according to Article 584 of the Standard Specifications.
3. See Sheets S46 and S47 for sections and Bill of Material.
4. Space reinforcement in cap to miss anchor bolts.
5. Pour steps monolithically with cap.

H:\Jobs\2013\2013022\CAD\Structure\pier2.dwg, 016-1149, Final\00\016015-44-pier2.dgn
 5/20/2013 11:24:05 AM

GR&E
 8501 W. Higgins Road Suite 280
 Chicago, Illinois 60631 (773) 399-0112

USER NAME :	DESIGNED - J.Z.	REVISED -
PLOT SCALE :	CHECKED - J.A.Z.	REVISED -
PLOT DATE :	DRAWN - E.E.J.	REVISED -
	DATE - 5/17/2013	REVISED -

STATE OF ILLINOIS
DEPARTMENT OF TRANSPORTATION

PIER 2 PLAN & ELEVATION
STRUCTURE NO. 016-1149

SHEET NO. S41 OF 50 SHEETS

F.A.I. RTE.	SECTION	COUNTY	TOTAL SHEETS	SHEET NO.
94	1920-B	COOK	137	100
CONTRACT NO. 60J15				
ILLINOIS FED. AID PROJECT				