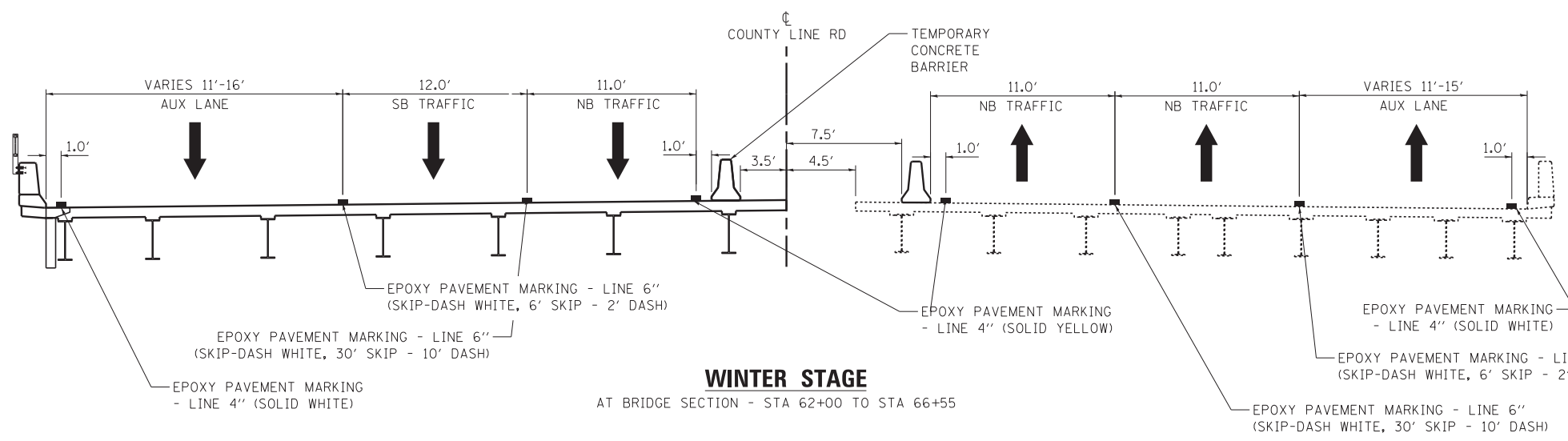
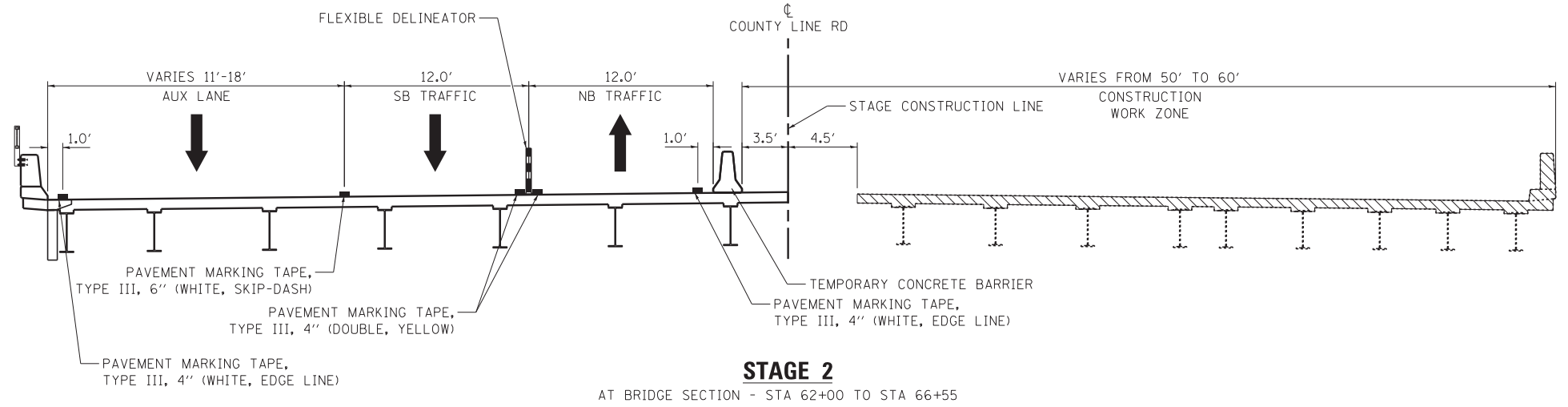


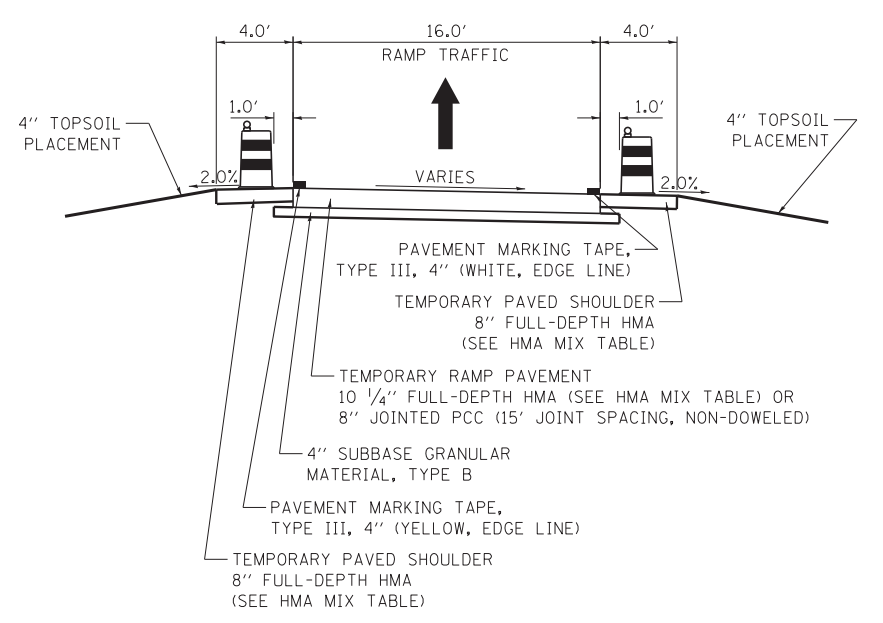
**STAGE 1**  
AT BRIDGE SECTION - STA 61+80 TO STA 66+04



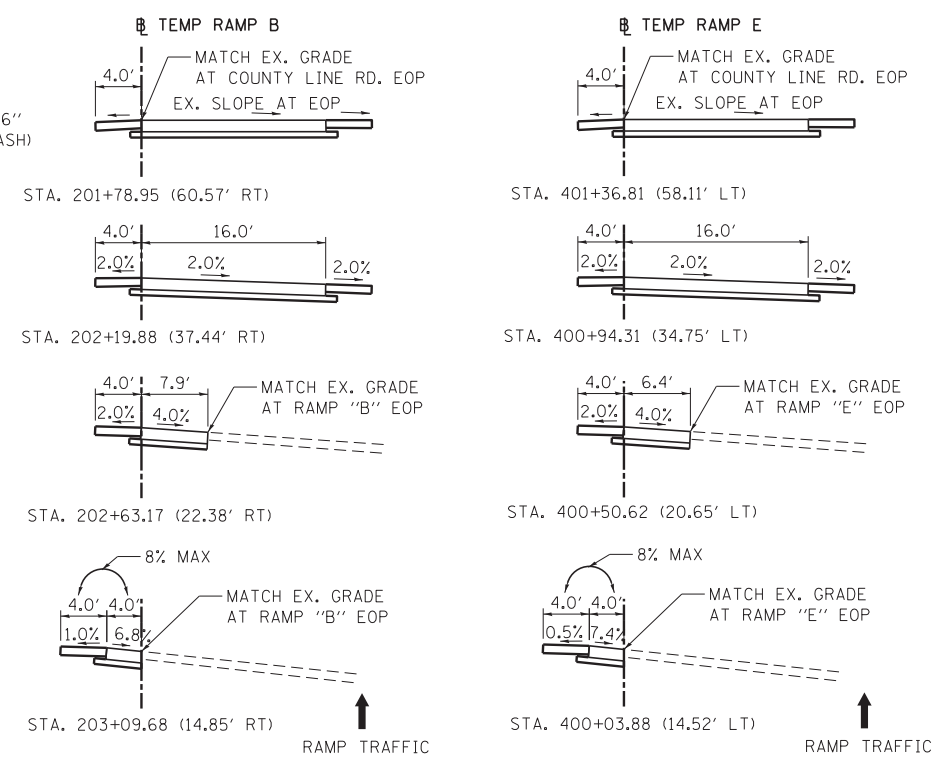
**WINTER STAGE**  
AT BRIDGE SECTION - STA 62+00 TO STA 66+55



**STAGE 2**  
AT BRIDGE SECTION - STA 62+00 TO STA 66+55



**TEMPORARY RAMP PAVEMENT**  
RAMP "B" - OPEN DURING STAGE 1, CLOSED STAGE 2  
RAMP "E" - OPEN DURING STAGE 2, CLOSED STAGE 1



**TEMPORARY RAMP TRANSITION DETAIL**  
RAMP "B"  
(OFFSETS ARE FROM RAMP "B" TO TEMP RAMP "B")  
RAMP "E"  
(OFFSETS ARE FROM RAMP "E" TO TEMP RAMP "E")

FILE NAME = J:\288\DON\CADD Sheets\Civil\1160677-SHT103-STAGING3.dgn



USER NAME = 1404	DESIGNED - VP	REVISED -
PLOT SCALE = 5.0000' / in.	DRAWN - VP	REVISED -
PLOT DATE = 2/5/2013	CHECKED - 1Y	REVISED -
	DATE - 1/24/2013	REVISED -

**STATE OF ILLINOIS  
DEPARTMENT OF TRANSPORTATION**

SUGGESTED STAGES OF CONSTRUCTION AND TRAFFIC CONTROL			
TYPICAL SECTIONS			
SCALE: N/A	SHEET NO. 3 OF 16 SHEETS	STA. N/A	TO STA. N/A

F.A.I. RTE.	SECTION	COUNTY	TOTAL SHEETS	SHEET NO.
55	22-1HB-R	COOK/DUPAGE	161	33
CONTRACT NO. 60K77				
FED. ROAD. DIST. NO. 1 ILLINOIS FED. AID PROJECT				