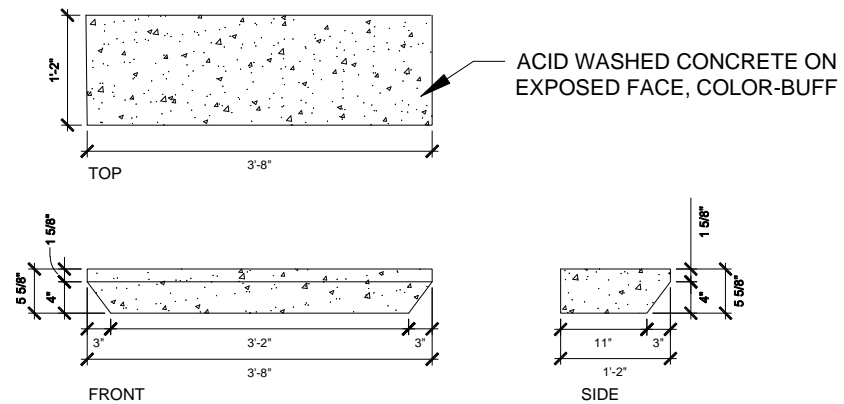


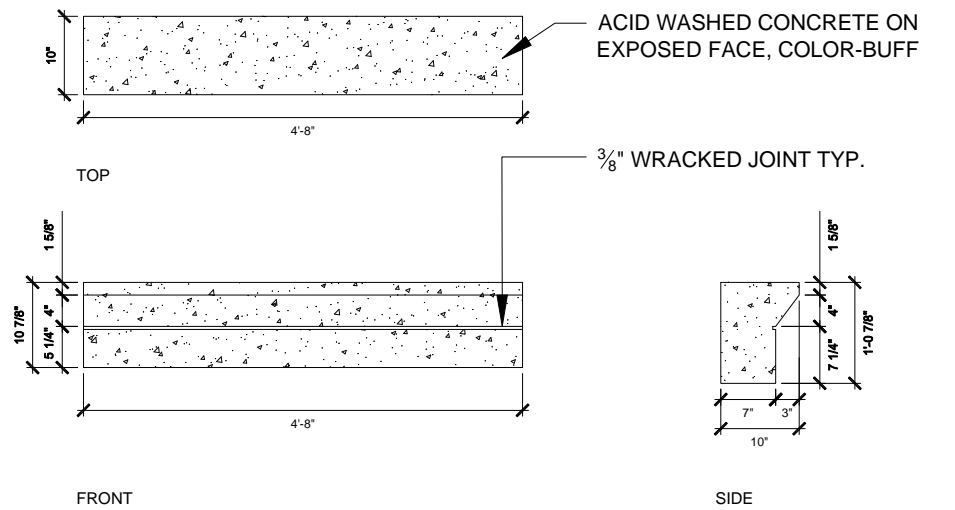
1 PRECAST CAP (PIECE 1)
SCALE: 1" = 1'-0"

D-PRECAST-PIECE-1



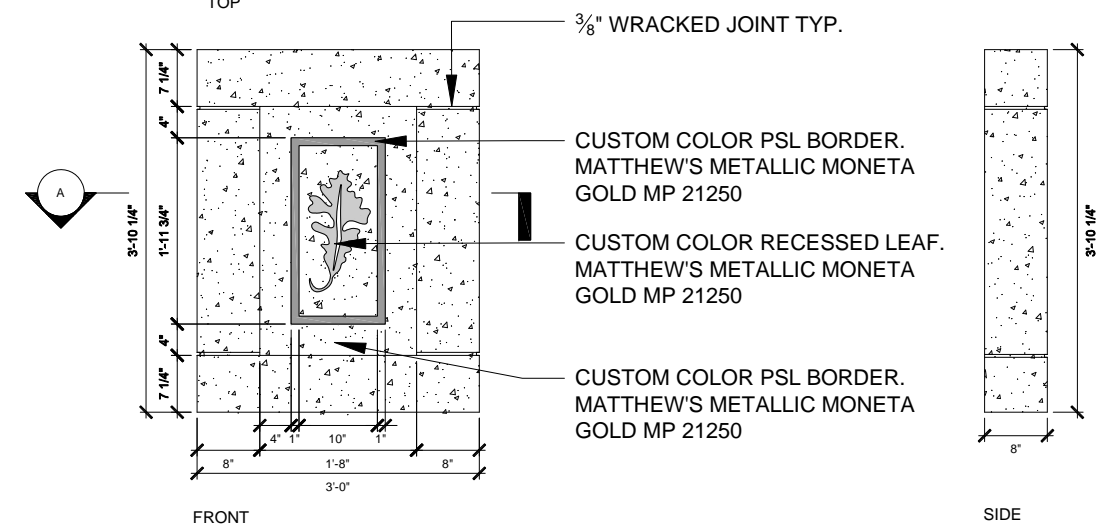
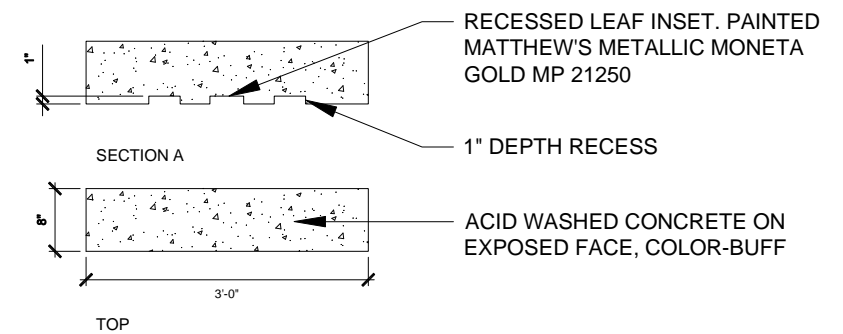
2 PRECAST CAP (PIECE 2)
SCALE: 1" = 1'-0"

D-PRECAST-PIECE-2



3 PRECAST TOP PANEL/CAP (PIECE 3)
SCALE: 1" = 1'-0"

D-PRECAST-PIECE-3



4 PRECAST TOP PANEL (PIECE 4)
SCALE: 1" = 1'-0"

D-PRECAST-PIECE-4

FILE NAME = SFILES



1170 SOUTH HOUBOLT ROAD
JOLIET, ILLINOIS 60431
STRAND ASSOCIATES
(815) 744-4200

USER NAME = BFM	DESIGNED - BFM	REVISED -
	DRAWN - ANS	REVISED -
	CHECKED - TCK	REVISED -
PLOT DATE = 01/24/13	DATE - 01-24-13	REVISED -

STATE OF ILLINOIS
DEPARTMENT OF TRANSPORTATION

DECORATIVE COLUMN DETAIL (2 OF 4)

SCALE: AS NOTED SHEET NO. OF SHEETS STA. TO STA.

F.A.I. RTE.	SECTION	COUNTY	TOTAL SHEETS	SHEET NO.
55	22-1HB-R	COOK/DUPAGE	161	70
CONTRACT NO. 60K77				