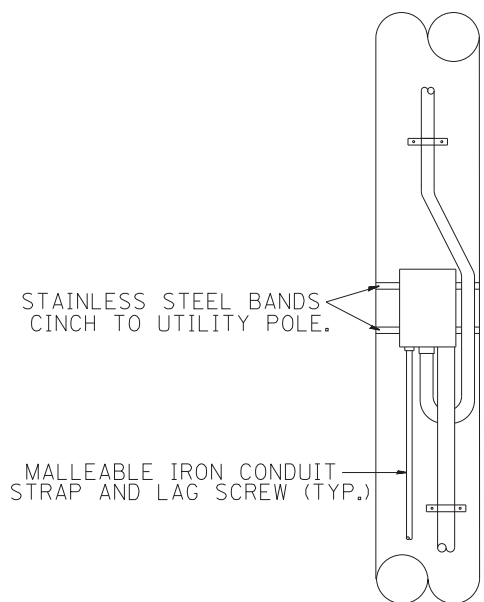
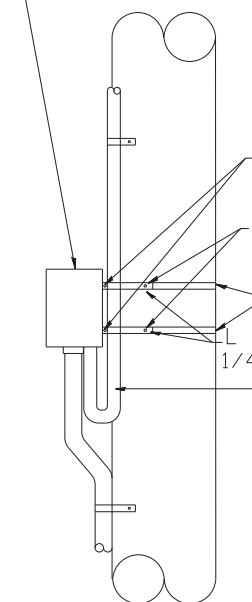


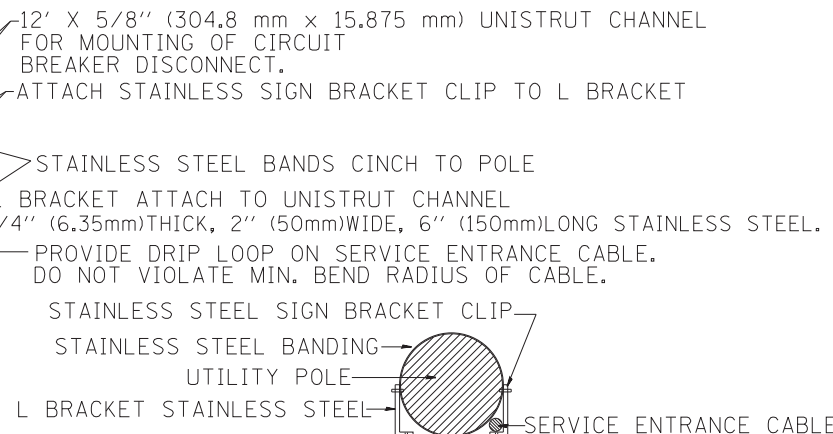
18"H X 12"W X 8"D (450 mm X 300 mm X 200 mm)  
CIRCUIT BREAKER/DISCONNECT IN NEMA 4X ENCLOSURE.



FRONT VIEW



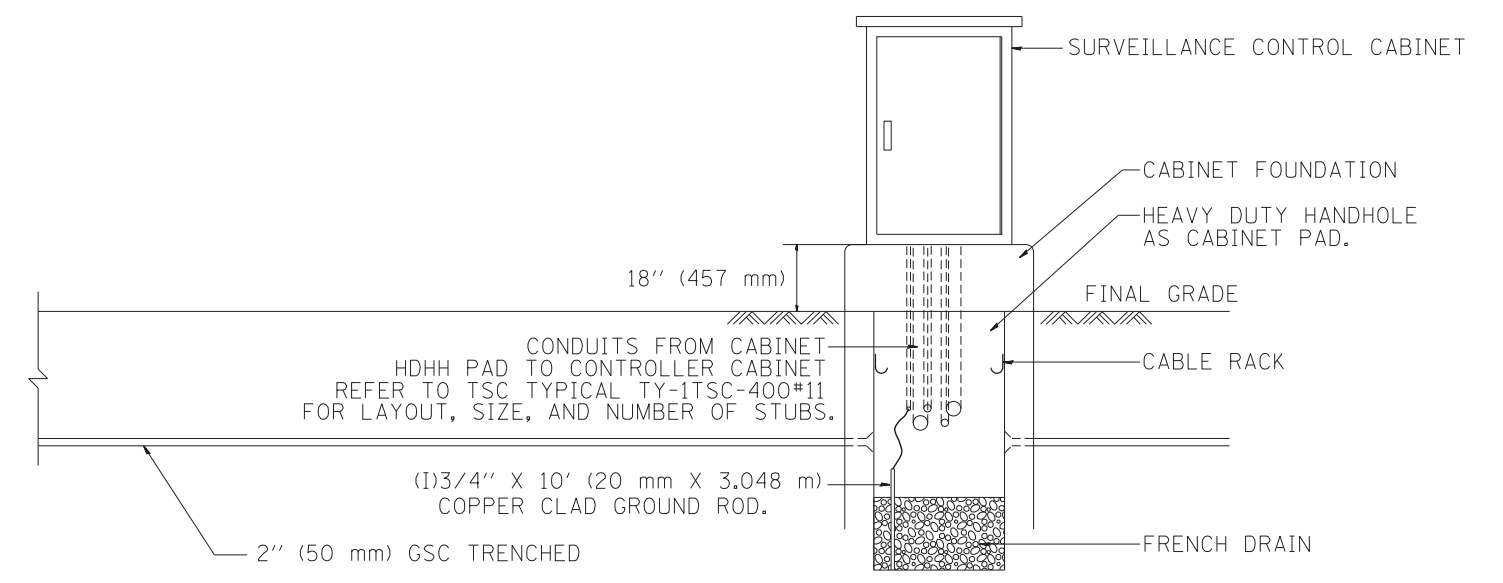
SIDE VIEW



TOP VIEW

NTS  
DISCONNECT MOUNTING DETAIL

- NOTES:
- 1.- ALL CONDUIT BUSHINGS SHALL HAVE AN ISOLATED THROAT.
  - 2.- PROVIDE HEAT SHRINK BOOT AT THE TOP OF THE SERVICE ENTRANCE CABLE FOR MOISTURE PROOFING.
  - 3.- ALL CONNECTIONS TO GROUND RODS SHALL BE EXOTHERMIC UNLESS OTHERWISE NOTED.
  - 4.- ATTACH INCOMING ELECTRIC SERVICE CABLE TO UTILITY POLE EVERY 5 FEET USING INSULATED U-NAIL.
  - 5.- PROVIDE CABLE RACK IN HANDHOLES.
  - 6.- ALL CONDUCTORS SHALL BE COPPER.
  - 7.- PROVIDE STAINLESS STEEL HARDWARE TO ATTACH L BRACKETS TO UNISTRUT AND TO SIGN HANGER.



FILE NAME =	USER NAME = mezag	DESIGNED - R.L.	REVISED -
ct:\pw_work\p\dot\mezag\d0287541\TSC TYP.dgn		DRAWN - G.M.	REVISED -
		CHECKED - R.L.	REVISED -
		DATE - 03/30/99	REVISED -

STATE OF ILLINOIS  
DEPARTMENT OF TRANSPORTATION  
TRAFFIC SYSTEMS CENTER

POLE MOUNTED  
DISCONNECT MOUNTING DETAILS

SCALE: NONE SHEET NO. OF SHEETS STA. TO STA.

F.A.I. RTE.	SECTION	COUNTY	TOTAL SHEETS	SHEET NO.
55	22-1HB-R	COOK/DUPAGE	161	83
FED. ROAD DIST. NO.			ILLINOIS FED. AID PROJECT	
			CONTRACT NO. 60K77	