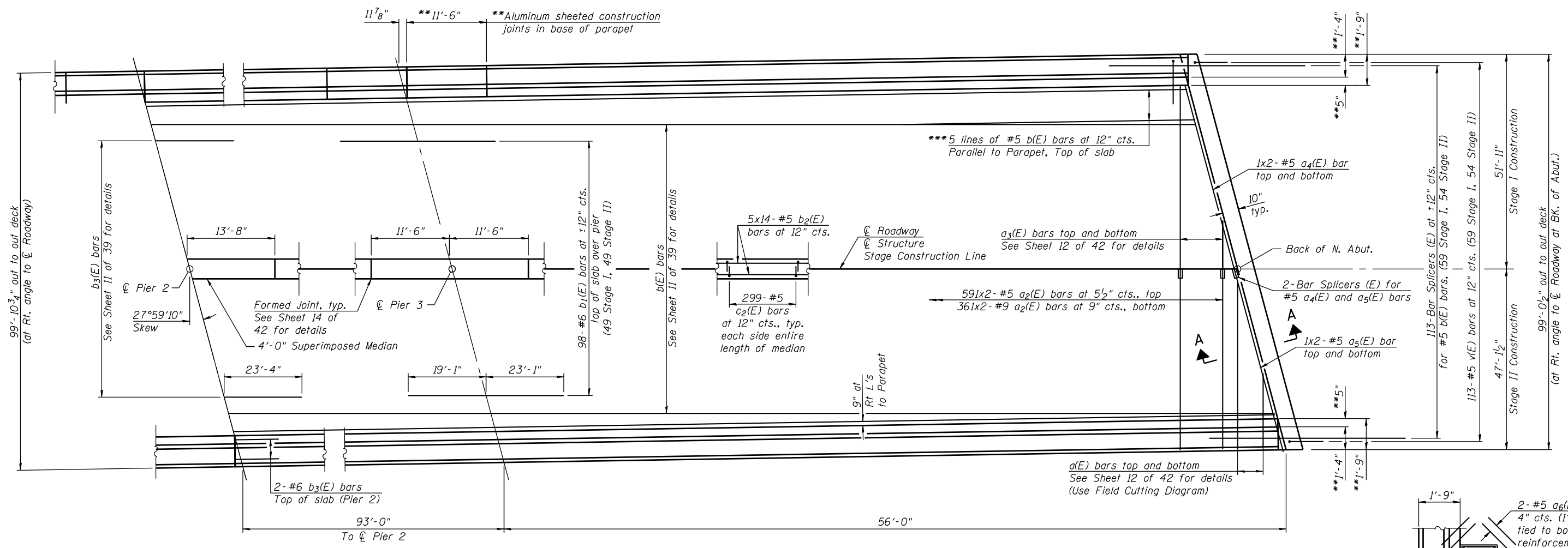
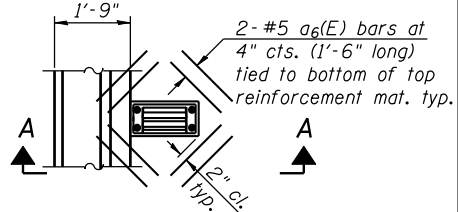


\* Order a(E), a<sub>1</sub>(E) and a<sub>3</sub>(E) bars full length. Cut to fit skew and use remainder of bars in opposite end, opposite stage.  
 See Field Cutting Diagram.  
 \*\* At right angles to parapet.  
 \*\*\* Length per line varies as follows (vary lap length as required to avoid overlapping bars): 1x3, 1x5, 1x8, 1x10 and 1x12.

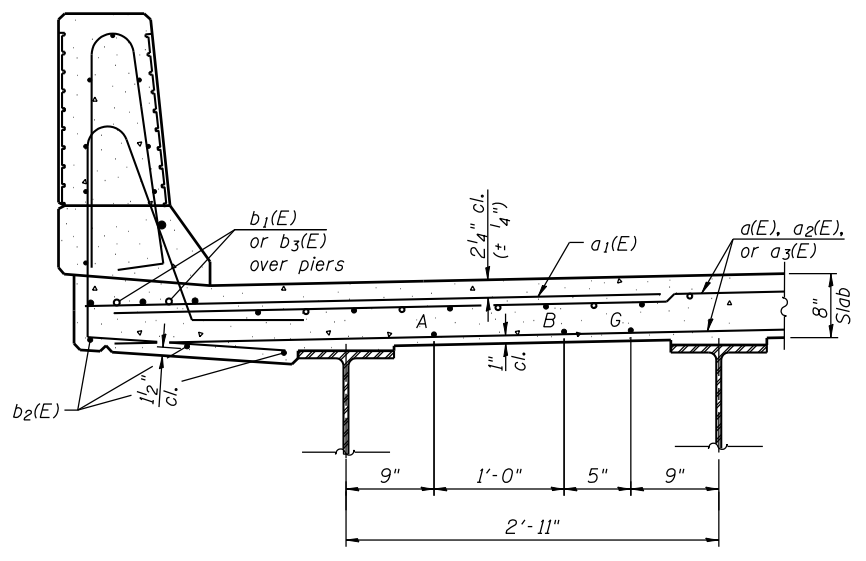
Notes:  
 See Sheet 14 of 42 for Superstructure Details and Bill of Material.  
 Bars indicated thus 20 x 3-#5 etc. indicates 20 lines of bars with 3 lengths per line.  
 See Sheet 14 of 42 for parapet reinforcement.



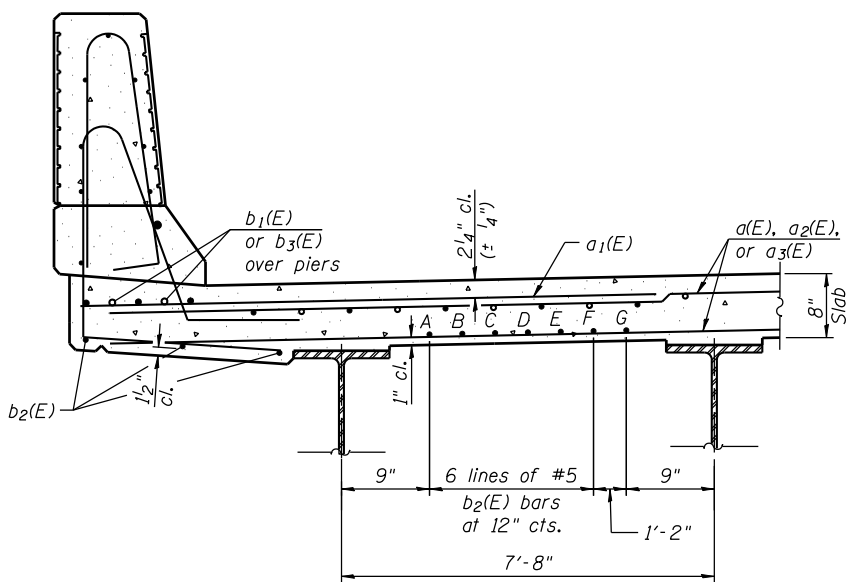
PARTIAL PLAN



PLAN  
 Note: Cut longitudinal reinforcement to clear drainage scuppers.



EXTERIOR BAY AT MINIMUM

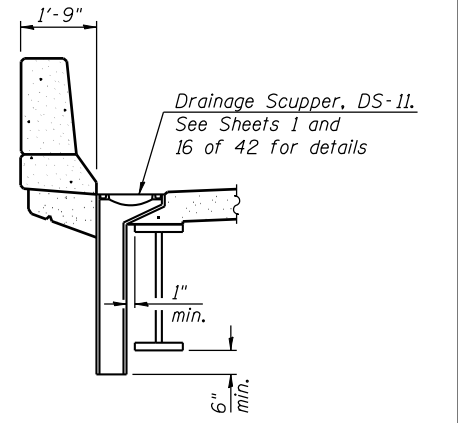


EXTERIOR BAY AT MAXIMUM

EXTERIOR BAY REBAR TABLE (b<sub>2</sub>(E) BARS)

Bar	Size	Quantity
A	#5	1x14
B	#5	1x14
C	#5	1x13
D	#5	1x10
E	#5	1x7
F	#5	1x4
G	#5	1x4

Note:  
 Vary lap as required to avoid overlapping lines of bars. Run "A" bar parallel to exterior girder



SECTION A-A

FILE NAME = s:\p1\6380--6395\6346\028\micro\cadd sheets\structural\0168587-60K77-011-SUP.dgn

**SA STRAND ASSOCIATES**  
 1170 SOUTH HOUBOLT ROAD  
 JOLIET, ILLINOIS 60431  
 (815) 744-4200  
 IDFPR NO. 184-001273

USER NAME = brianf	DESIGNED - RRD	REVISED
PLOT SCALE =	CHECKED - AJS	REVISED
PLOT DATE = 1/29/2013	DRAWN - BJF	REVISED
	CHECKED - RRD	REVISED

**STATE OF ILLINOIS  
 DEPARTMENT OF TRANSPORTATION**

**SUPERSTRUCTURE (SHEET 2 OF 2)  
 STRUCTURE NO. 016-0587**

SHEET NO. 13 OF 42 SHEETS

F.A.I. RTE.	SECTION	COUNTY	TOTAL SHEETS	SHEET NO.
55	22-1HB-R	COOK/DUPAGE	161	101
CONTRACT NO. 60K77				

ILLINOIS FED. AID PROJECT