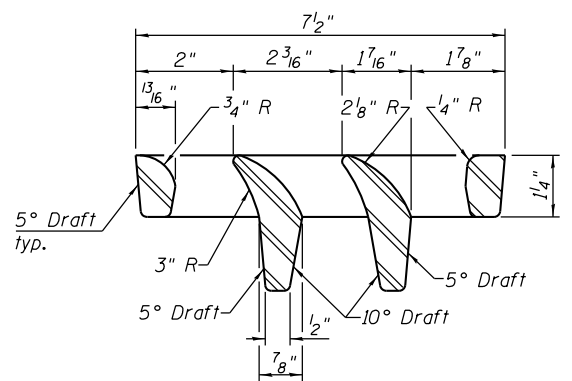
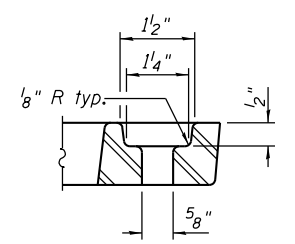


Drill and tap scupper for 4 1/2" φ stainless steel hexagon head bolts with lock washers

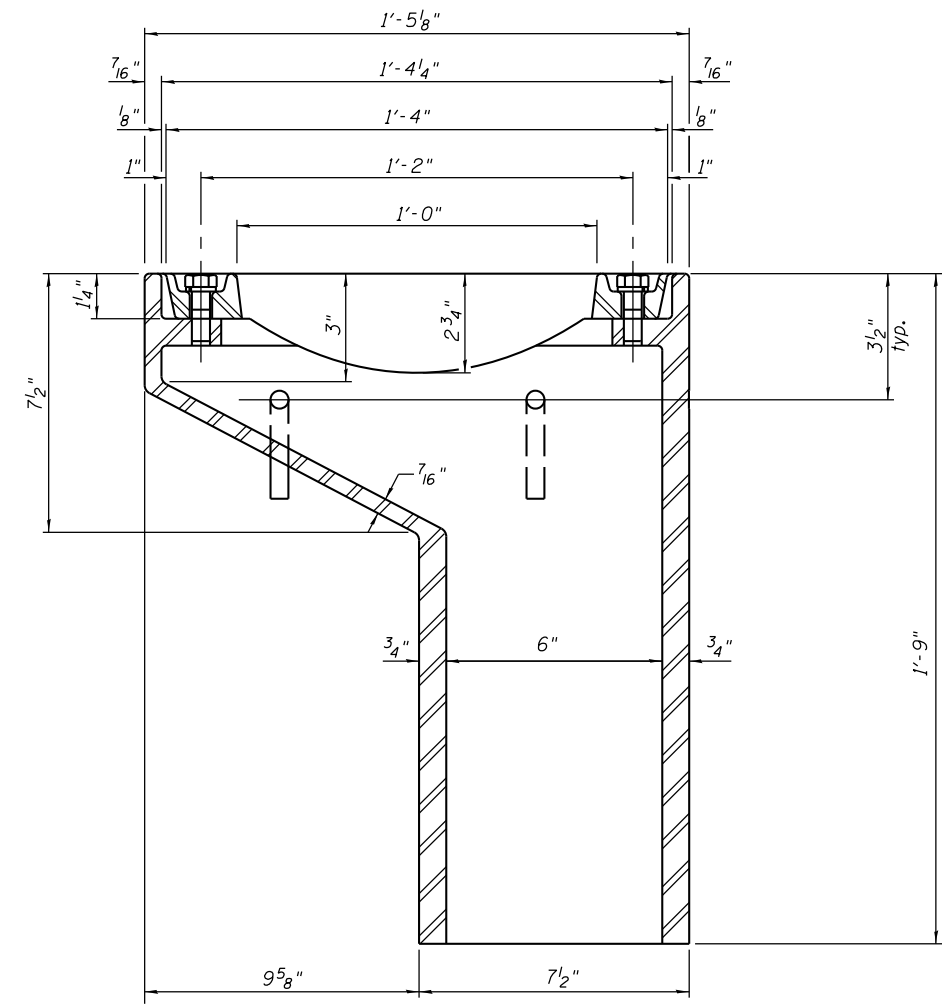
Drill and tap 1/2"-13x3/4" DP. for 1/2" φ Anchor Studs 4 locations



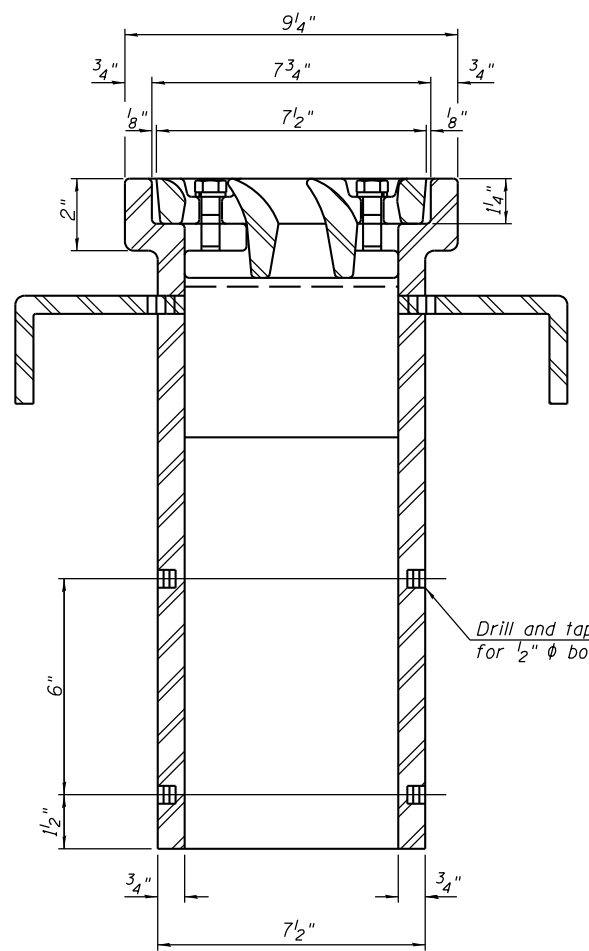
VANE GRATE DETAIL



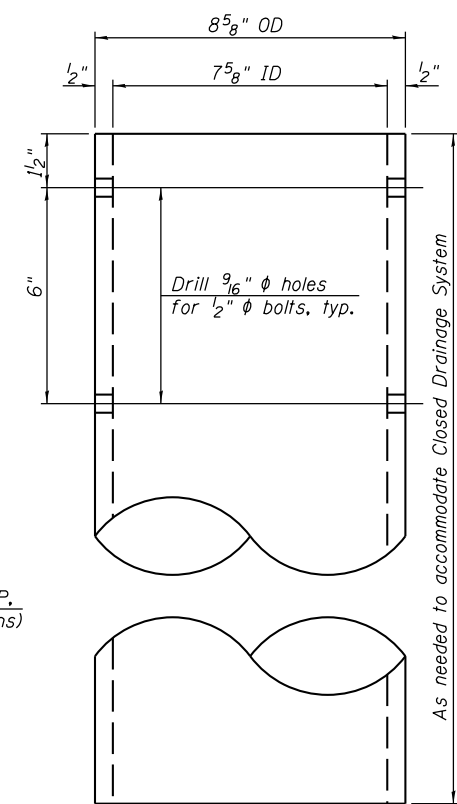
BOLT HOLE DETAIL



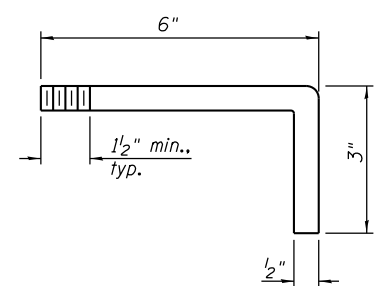
SECTION A-A
See Sheet 14 of 42 for scupper location relative to parapet.



SECTION B-B



DOWNSPOUT



ANCHOR STUD DETAIL

Notes:
 All cast iron parts shall be gray iron conforming to the requirements of AASHTO M 105, Class 35B.
 Bolts, anchor studs, washers and nuts shall conform to the requirements of ASTM A 307 and shall be galvanized according to AASHTO M 232.
 Downspouts located on the exterior side of a painted steel fascia beam shall be painted with the finish coat specified for the exterior side of the fascia beam.
 As an alternate, bolts, anchor studs, washers and nuts may be stainless steel according to Article 1006.29(d) of the Standard Specifications.
 Structural steel weldments of equal sections and of the same configuration may be substituted for the cast iron scupper frame. Fillet or full penetration welds shall be used for the weldments. Details shall be submitted to the Engineer for approval. Structural steel weldments shall not be substituted for the cast iron scupper grate. Structural steel frames and downspouts shall be galvanized according to AASHTO M111.
 The Contractor shall take appropriate measures to assure that Protective Coat is not applied to the scupper.
 Cost of the Grate, Frame, Downspout, Anchor Studs, Bolts, Washers and Nuts including complete installation of the scupper shall be paid for at the contract unit price each for Drainage Scupper, DS-11.
 Alternate fiberglass downspout conforming to ASTM D 2996 with a short-time rupture strength hoop tensile stress of 30,000 psi min. may be used in lieu of the cast iron or steel equivalent.

BILL OF MATERIAL

ITEM	UNIT	QUANTITY
Drainage Scupper, DS-11	Each	8

FILE NAME = S:\JOL\63300-6399\6346\028\Micro\CAAD Sheets\Structural\0160697-60K77-015-SUPPER.dgn

DS-11

7-1-10

STRAND ASSOCIATES
 1170 SOUTH HOUBOLT ROAD
 JOLIET, ILLINOIS 60431
 (815) 744-4200
 IDFPR NO. 184-001273

USER NAME = briantf
 PLOT SCALE =
 PLOT DATE = 1/29/2013

DESIGNED - RRD
 CHECKED - AJS
 DRAWN - BJF
 CHECKED - RRD

REVISED
 REVISED
 REVISED
 REVISED

STATE OF ILLINOIS
 DEPARTMENT OF TRANSPORTATION

DRAINAGE SCUPPER, DS-11
 STRUCTURE NO. 016-0587

SHEET NO. 16 OF 42 SHEETS

F.A.I. RTE.	SECTION	COUNTY	TOTAL SHEETS	SHEET NO.
55	22-1HB-R	COOK/DUPAGE	161	104

CONTRACT NO. 60K77
 ILLINOIS FED. AID PROJECT