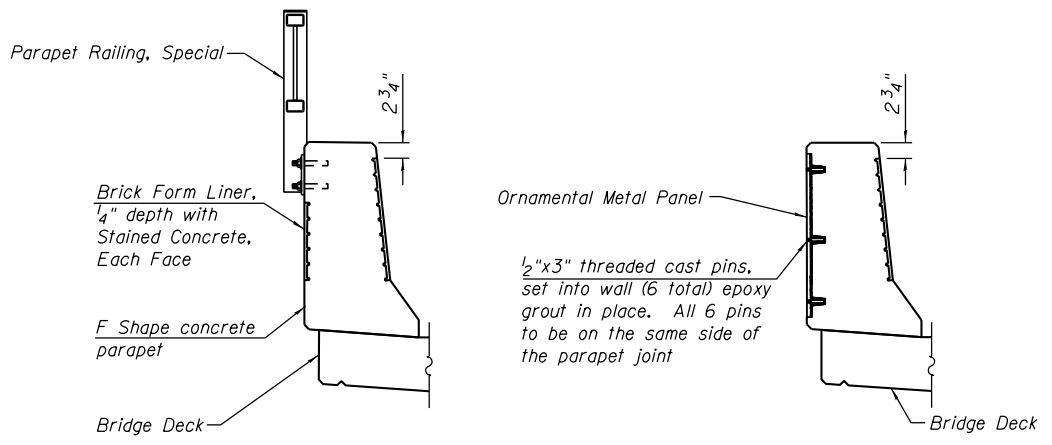
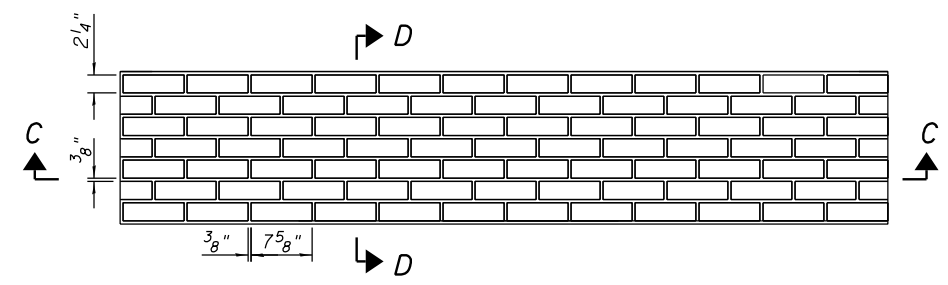


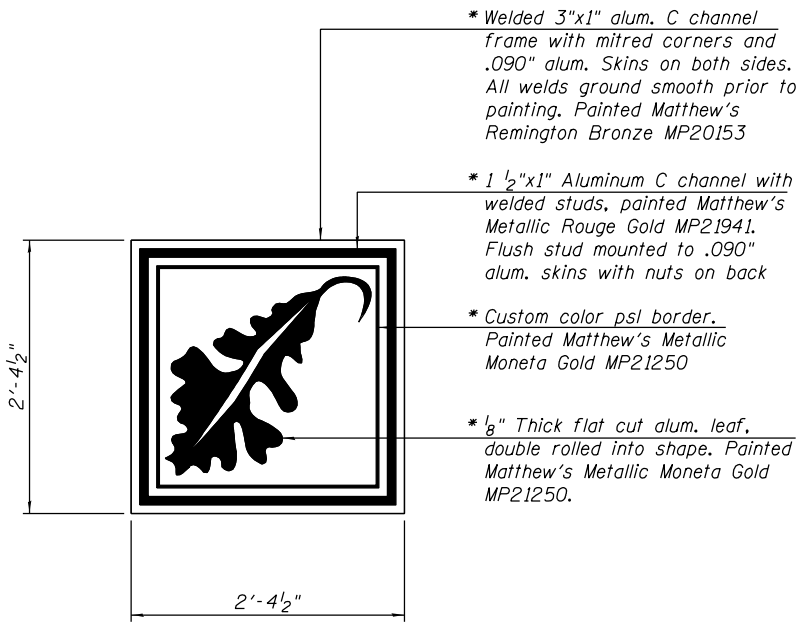
OUTSIDE ELEVATION OF PARAPET



Note:
Form Liner/Concrete Stain applied to both sides of parapet. See Sheet 14 of 42 for Parapet dimensions.

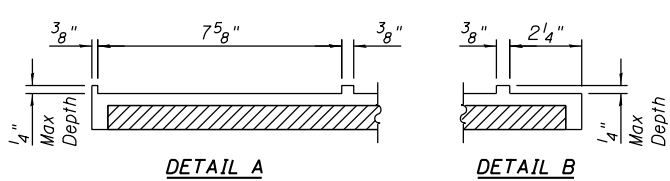
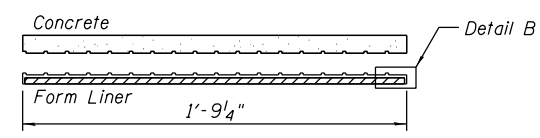
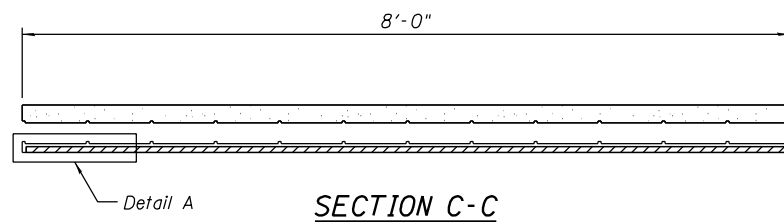


TYPICAL FORM LINER ELEVATION



ORNAMENTAL METAL PANEL ELEVATION

* Included in the cost of Ornamental Metal Panel



FORM LINER DETAILS

BILL OF MATERIAL

Item	Unit	Quantity
Form Liner Textured Surface	Sq. Ft.	2,032
Staining Concrete Structures	Sq. Yd.	226
Ornamental Metal Panel	Each	2
Parapet Railing, Special	Foot	652

FILE NAME = S:\JUL 6300-6399\6346\028\Micro\CAAD Sheets\Structural\0160697-60K77-019-PARAPET.dgn