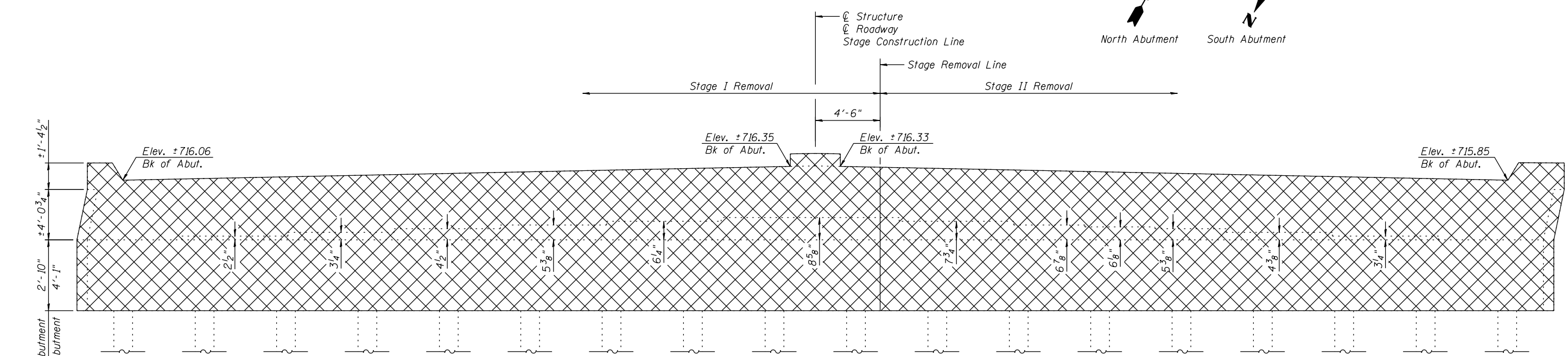
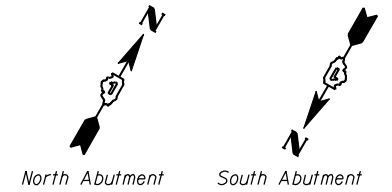
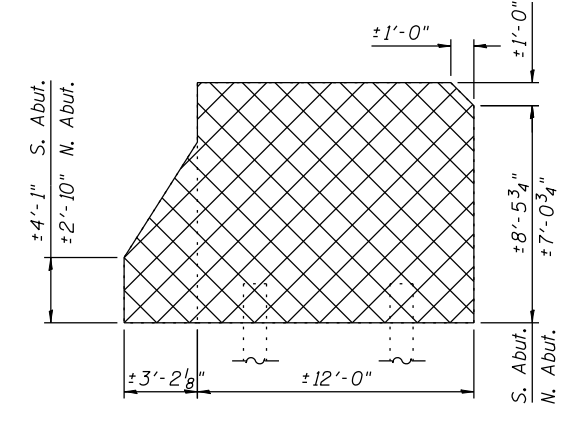


PLAN

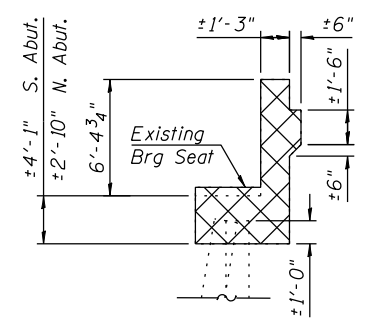


ELEVATION

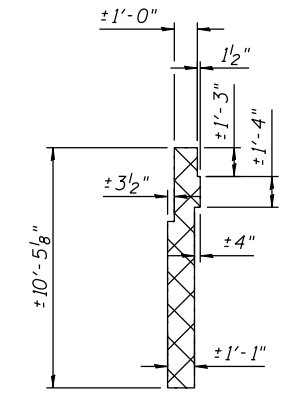
(South Abutment Shown
North Abutment Mirror Image)



WINGWALL ELEVATION



SECTION THRU ABUTMENT



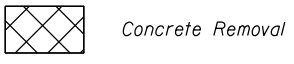
SECTION THRU WINGWALL

Notes:
Cathodic protection system and appurtenances at both abutments to be removed and salvaged. Cost included with Removal of Existing Superstructures.
If an existing pile interferes with the proposed slope wall construction and repair, it shall be removed per Article 501.04 of the Specifications. Any pile removal required is included in the cost of Concrete Removal.

BILL OF MATERIAL

Item	Unit	Total
Concrete Removal	Cu. Yd.	200

LEGEND



FILE NAME = s:\p1\6380--6395\6346\028\micro\cadd sheets\structural\0166887-68K77-025-ABUTREM.dgn



USER NAME = brianf	DESIGNED - RRD	REVISED
PLOT SCALE =	CHECKED - AJS	REVISED
PLOT DATE = 1/29/2013	DRAWN - BJF	REVISED
	CHECKED - RRD	REVISED

**STATE OF ILLINOIS
DEPARTMENT OF TRANSPORTATION**

**ABUTMENT REMOVAL PLAN
STRUCTURE NO. 016-0587**
SHEET NO. 27 OF 42 SHEETS

F.A.I. RTE. 55	SECTION 22-1HB-R	COUNTY COOK/DUPAGE	TOTAL SHEETS 161	SHEET NO. 115
CONTRACT NO. 60K77				
ILLINOIS FED. AID PROJECT				