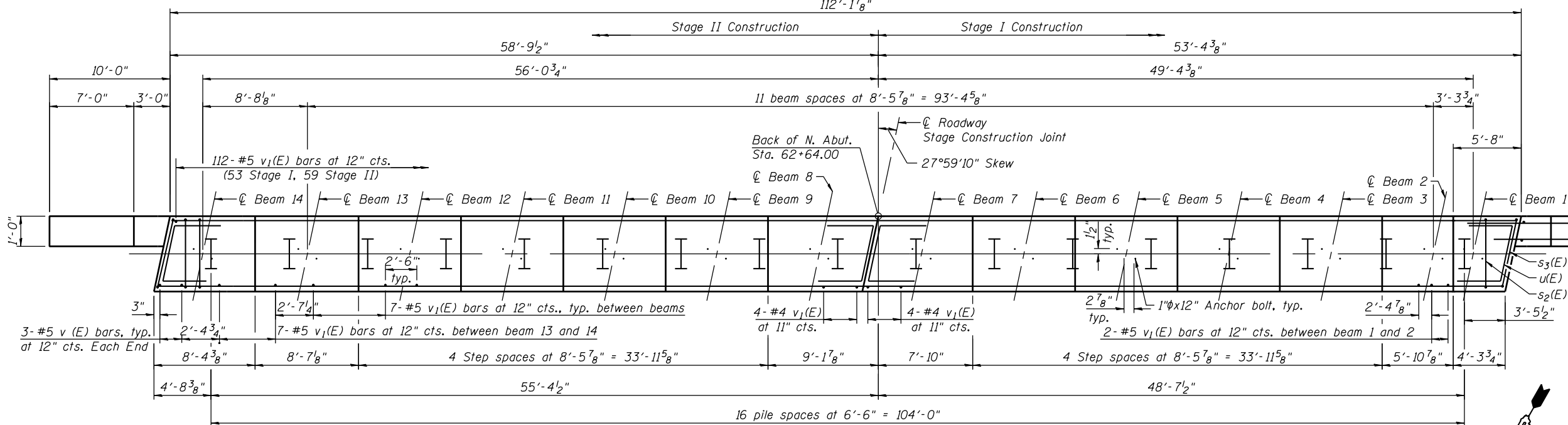


ELEVATION
(Looking South)
112'-1⁷/₈"

* Cut to fit

MIN. BAR LAP
#7 bar = 5'-2"



PLAN

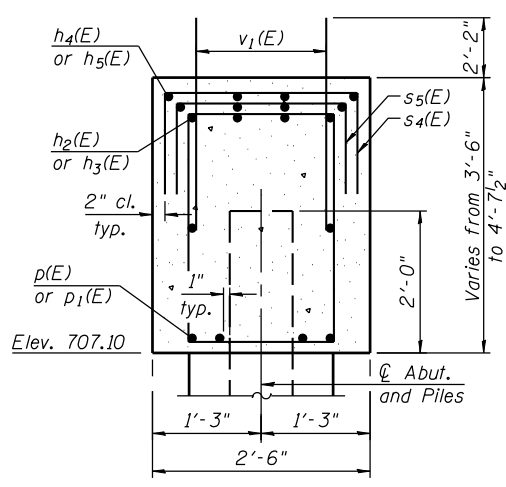
BILL OF MATERIAL

Bar	No.	Size	Length	Shape
h(E)	32	#8	16'-7"	—
h ₁ (E)	28	#6	13'-0"	—
h ₃ (E)	4	#7	34'-3"	—
h ₄ (E)	4	#7	25'-9"	—
h ₅ (E)	4	#7	17'-3"	—
p(E)	28	#7	32'-0"	—
p ₁ (E)	20	#7	29'-3"	—
s ₂ (E)	101	#4	11'-5"	□
s ₃ (E)	4	#4	11'-11"	□
s ₄ (E)	38	#4	8'-4"	□
s ₅ (E)	84	#4	7'-4"	□
u(E)	16	#6	10'-1"	└
v ₁ (E)	205	#5	4'-4"	—
v ₂ (E)	11	#5	10'-2"	—
v ₃ (E)	11	#5	11'-2"	—
Structure Excavation		Cu. Yd.	200	
Concrete Structures		Cu. Yd.	48	
Reinforcement Bars, Epoxy Coated		Pound	8,470	
Furnishing Steel Piles HPI2x53		Foot	992	
Driving Piles		Foot	992	
Test Pile Steel HPI2x53		Each	1	
Concrete Encasement		Cu. Yd.	6	

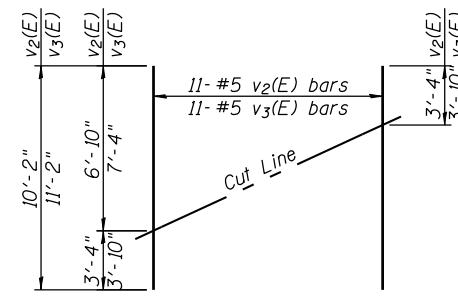
PILE DATA

Type: Steel-HP 12x53
Nominal Required Bearing: 327 kips
Factored Resistance Available: 180 kips
Est. Length: 62 ft
No. Production Piles: 16
No. Test Piles: 1

Notes:
For details of Bar Splicers, see Sheet 36 of 42.
For details of piles and Concrete Encasement, see Sheet 35 of 42.
Pour Steps Monolithically with cap.
Space reinforcement in cap to miss anchor bolts.

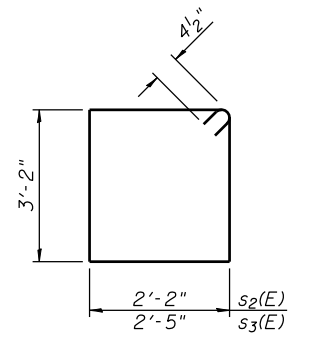


SECTION THRU ABUTMENT

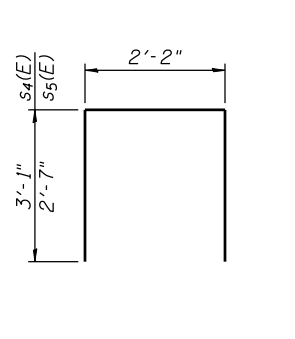


FIELD CUTTING DIAGRAM

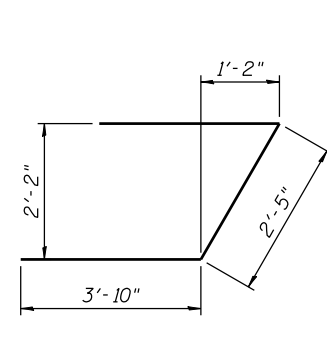
Order v₂(E) and v₃(E) bars full length. Cut as shown and use remainder of bars in opposite face.



BARS s₂(E) & s₃(E)



BARS s₄(E) & s₅(E)



BAR u(E)

STATE OF ILLINOIS
DEPARTMENT OF TRANSPORTATION

SOUTH ABUTMENT DETAILS
STRUCTURE NO. 016-0587

SHEET NO. 29 OF 42 SHEETS

F.A.I. RTE.	SECTION	COUNTY	TOTAL SHEETS	SHEET NO.
55	22-1HB-R	COOK/DUPAGE	161	117

CONTRACT NO. 60K77
ILLINOIS FED. AID PROJECT

FILE NAME = s:\p1\6380--6395\6346\028\micro\cadd sheets\structural\0160587-60K77-027-SABUT.dgn

SA STRAND ASSOCIATES
1170 SOUTH HOUBOLT ROAD
JOLIET, ILLINOIS 60431
(815) 744-4200
IDFPR NO. 184-001273

USER NAME = brianf
DESIGNED - KAT
CHECKED - RRD
PLOT SCALE =
DRAWN - BJF
PLOT DATE = 1/29/2013

DESIGNED - KAT
CHECKED - RRD
DRAWN - BJF
REVISOR - RRD

REVISOR - RRD
REVISOR - RRD
REVISOR - RRD
REVISOR - RRD