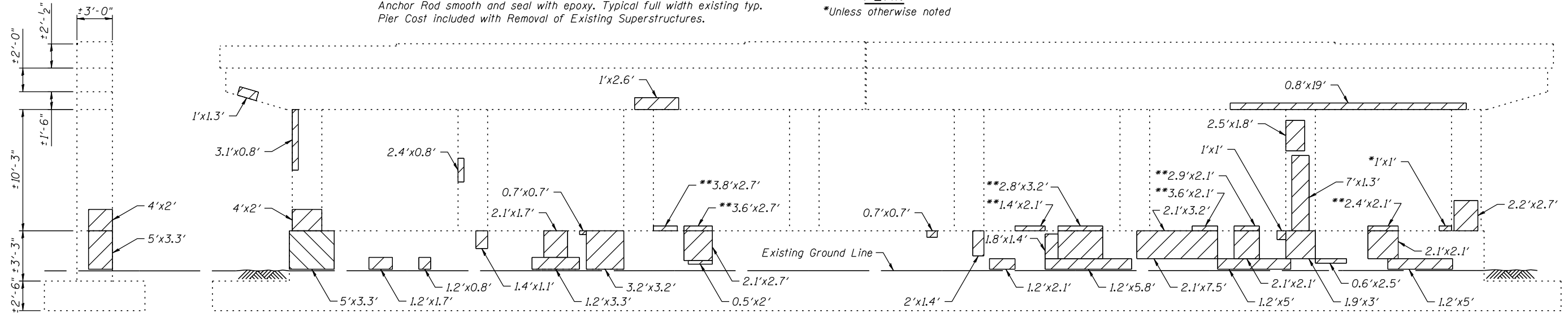


PLAN

*Unless otherwise noted

Remove existing Anchor Rod flush with existing Pier Cap surface. Grind Anchor Rod smooth and seal with epoxy. Typical full width existing typ. Pier Cost included with Removal of Existing Superstructures.

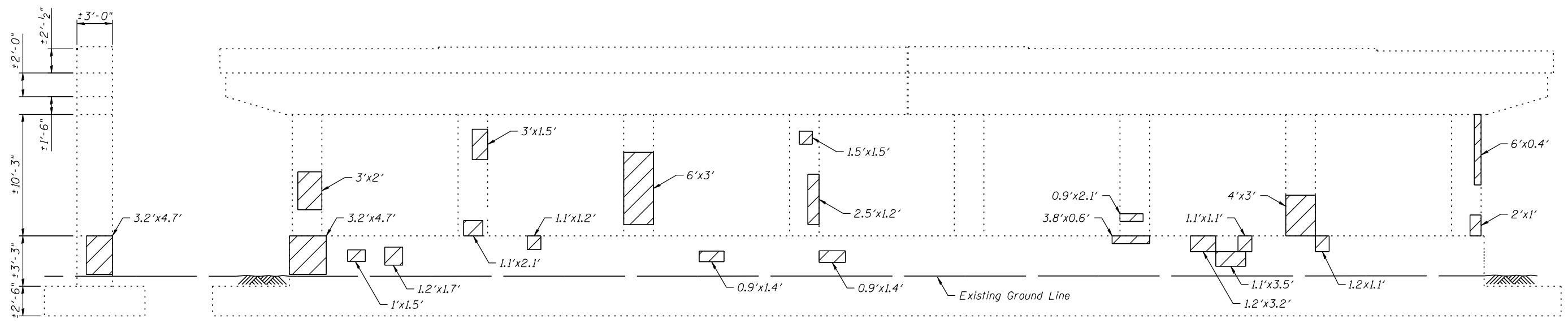


EAST FACE

NORTH FACE

(Looking South)

**Quantity is on horizontal surface



WEST FACE

SOUTH FACE

(Looking North)

LEGEND

- Structural Repair of Concrete (Depth Equal or Less Than 5 Inches)
- Structural Repair of Concrete (Depth Greater Than 5 inches)

Note:
Repairs shown are based upon observations performed in 2010 and are for bidding purposes only. Actual areas to be repaired shall be determined by the Engineer in the field at the time of construction. Quantities have been adjusted to account for the time difference.

BILL OF MATERIAL

Item	Unit	Total
Structural Repair of Concrete (Depth Equal or Less Than 5 Inches)	SQ FT	428
Structural Repair of Concrete (Depth Greater Than 5 inches)	SQ FT	20

FILE NAME = s:\p1\6380--6395\6346\028\micro\cadd sheets\structural\0168887-68K77-031-PIER3.dgn

STRAND ASSOCIATES
1170 SOUTH HOUBOLT ROAD
JOLIET, ILLINOIS 60431
(815) 744-4200
IDFPR NO. 184-001273

USER NAME = brianf	DESIGNED - RRD	REVISOR
PLOT SCALE =	CHECKED - AJS	REVISION
PLOT DATE = 1/29/2013	DRAWN - BJF	REVISION
	CHECKED - RRD	REVISION

DESIGNED - RRD	REVISOR
CHECKED - AJS	REVISION
DRAWN - BJF	REVISION
CHECKED - RRD	REVISION

STATE OF ILLINOIS
DEPARTMENT OF TRANSPORTATION

PIER 3 REPAIR DETAILS
STRUCTURE NO. 016-0587
SHEET NO. 33 OF 42 SHEETS

F.A.I. RTE. = 55	SECTION = 22-IHB-R	COUNTY = COOK/DUPAGE	TOTAL SHEETS = 161	SHEET NO. = 121
CONTRACT NO. 60K77			ILLINOIS FED. AID PROJECT	