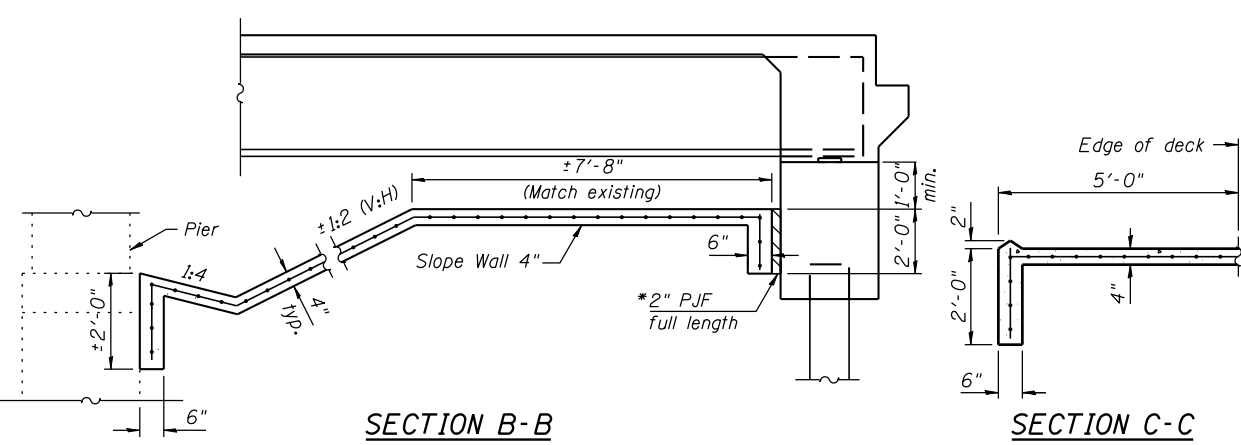
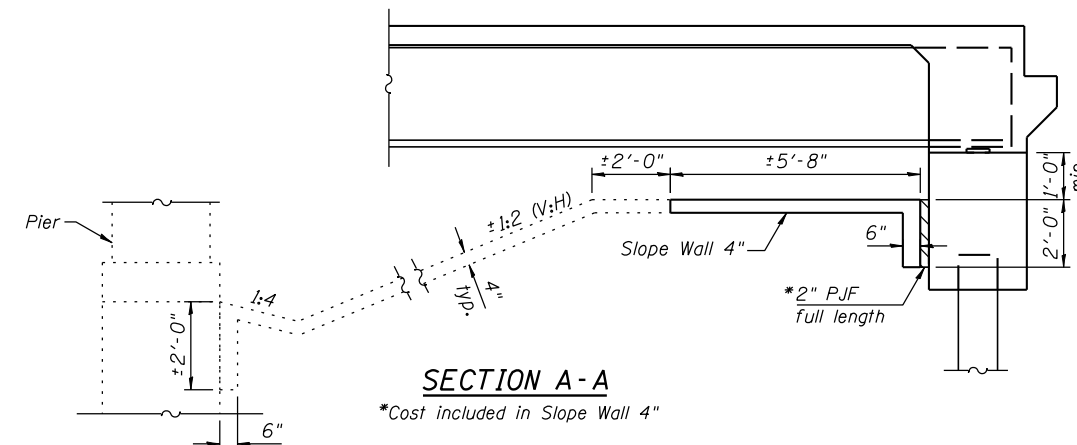
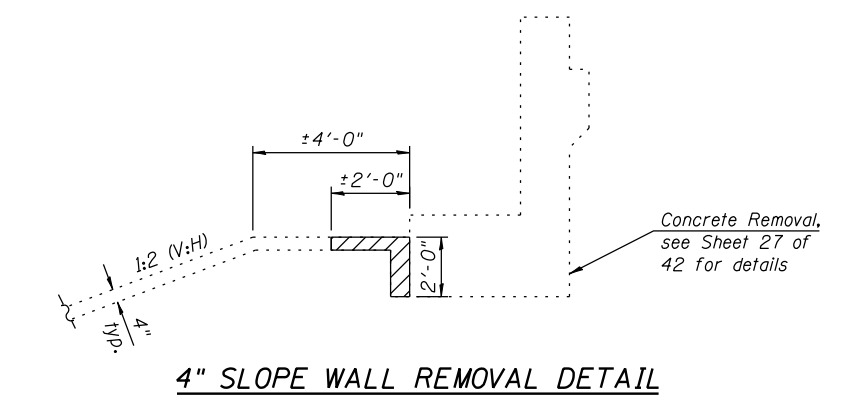
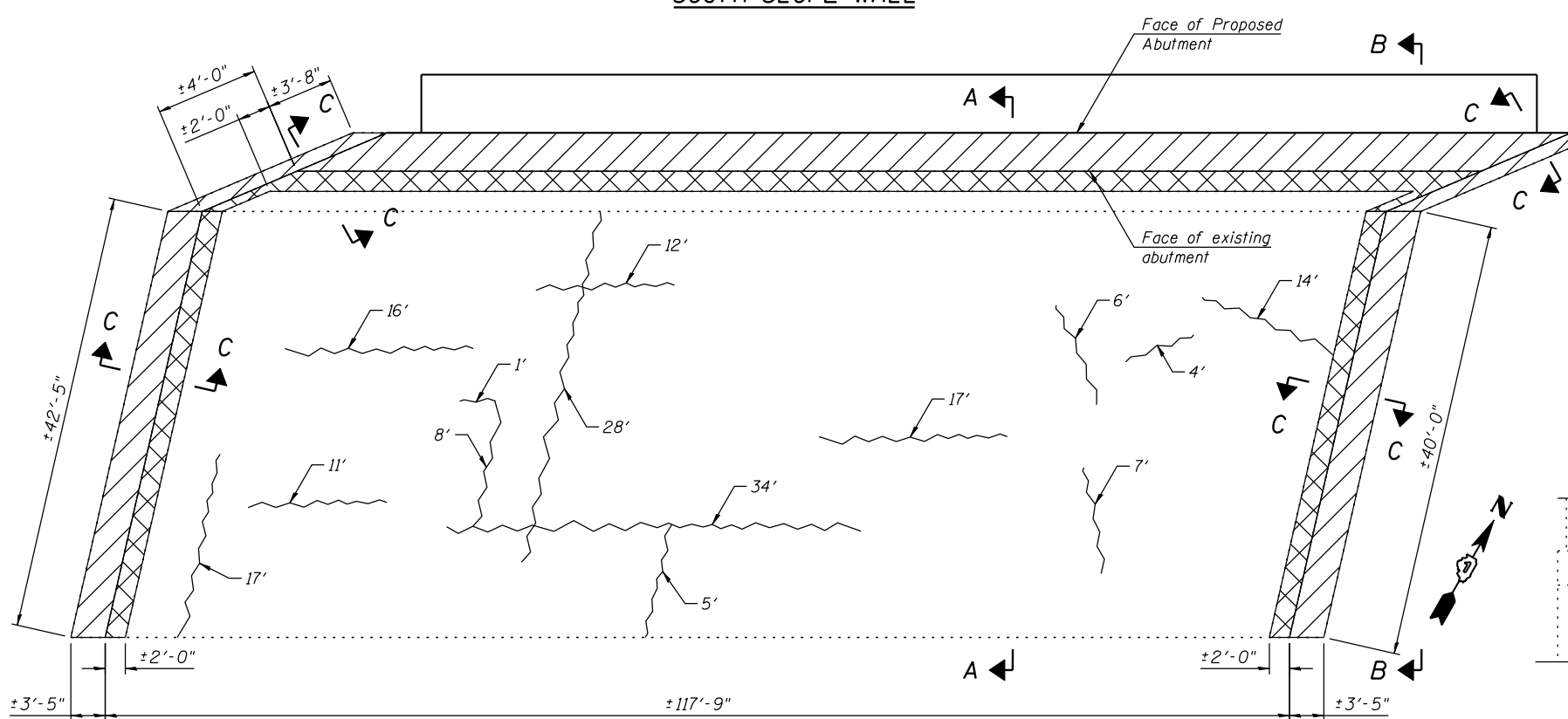
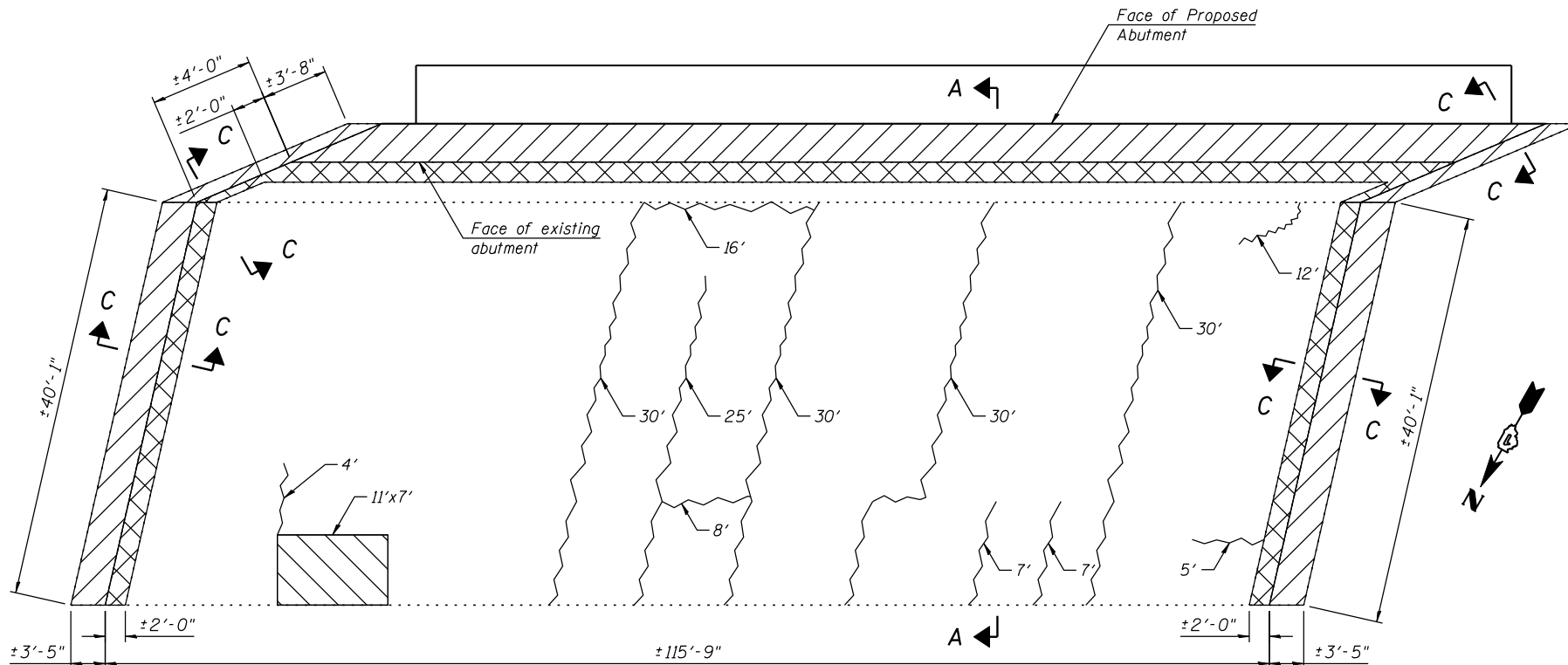


Notes:

A 1/2" sawcut should be made at the proposed construction joint. Clean, straighten and lap 6" of existing wire mesh, from the existing adjacent slope wall with the proposed slope wall. This work shall be included in the pay item Slope Wall Removal.
 Slope wall shall be reinforced with welded wire fabric, 6" x 6" - W4.0 x W4.0, weighing 58 lbs. per 100 sq. ft.
 Repairs shown are based upon observations performed in 2012 and are for bidding purposes only. Actual areas to be repaired shall be determined by the Engineer in the field at the time of construction. Quantities have been adjusted to account for the time difference.



LEGEND

| | | | |
|--|------------------------------------|--|-----------------------|
| | Slopewall Removal and Slopewall 4" | | Slopewall Repair |
| | Slopewall 4" | | Epoxy Crack Injection |

BILL OF MATERIAL

| Item | Unit | Quantity |
|-----------------------|-------|----------|
| Slope Wall Removal | Sq Yd | 90 |
| Slope Wall 4 Inch | Sq Yd | 259 |
| Epoxy Crack Injection | Foot | 425 |
| Slope Wall Repair | Sq Yd | 10 |

FILE NAME = s:\p1\6380-6395\6346\028\micro\cadd sheets\structural\0168587-68K77-032-SLOPE.dgn

SA STRAND ASSOCIATES
 1170 SOUTH HOUBOLT ROAD
 JOLIET, ILLINOIS 60431
 (815) 744-4200
 IDFPR No. 184-001273

USER NAME = briantf
 DESIGNED - RRD
 CHECKED - AJS
 DRAWN - BJF
 CHECKED - RRD
 PLOT SCALE =
 PLOT DATE = 1/29/2013

DESIGNED - RRD
 CHECKED - AJS
 DRAWN - BJF
 CHECKED - RRD
 REVISED
 REVISED
 REVISED
 REVISED

**STATE OF ILLINOIS
 DEPARTMENT OF TRANSPORTATION**

**SLOPE WALL DETAILS
 STRUCTURE NO. 016-0587**
 SHEET NO. 34 OF 42 SHEETS

| | | | | |
|--------------------|----------|-------------|--------------|-----------|
| F.A.I. RT. | SECTION | COUNTY | TOTAL SHEETS | SHEET NO. |
| 55 | 22-1HB-R | COOK/DUPAGE | 161 | 122 |
| CONTRACT NO. 60K77 | | | | |

ILLINOIS FED. AID PROJECT