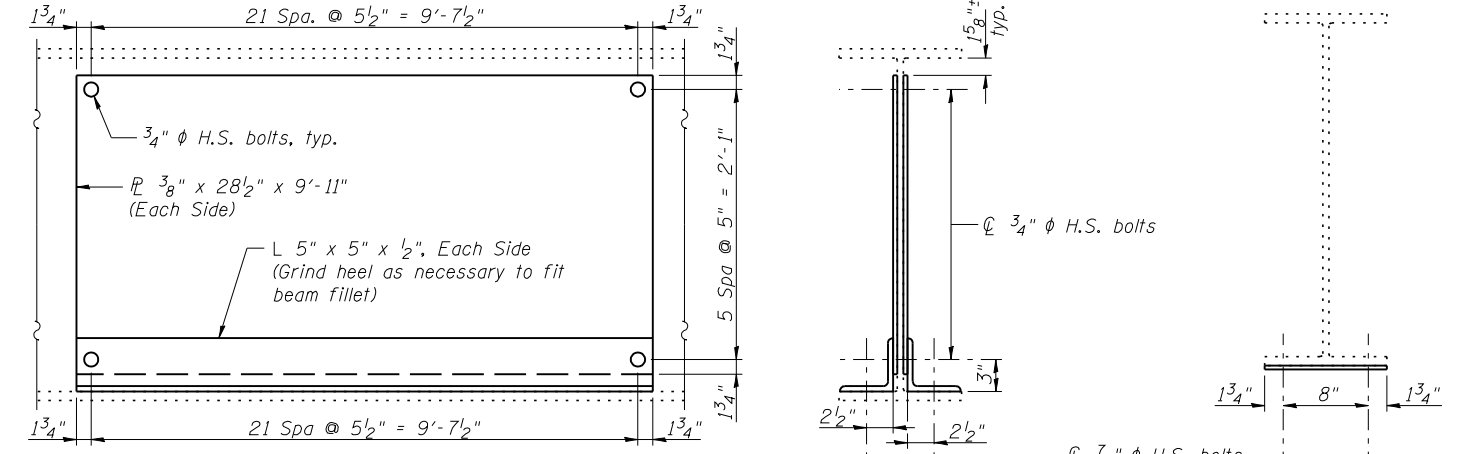
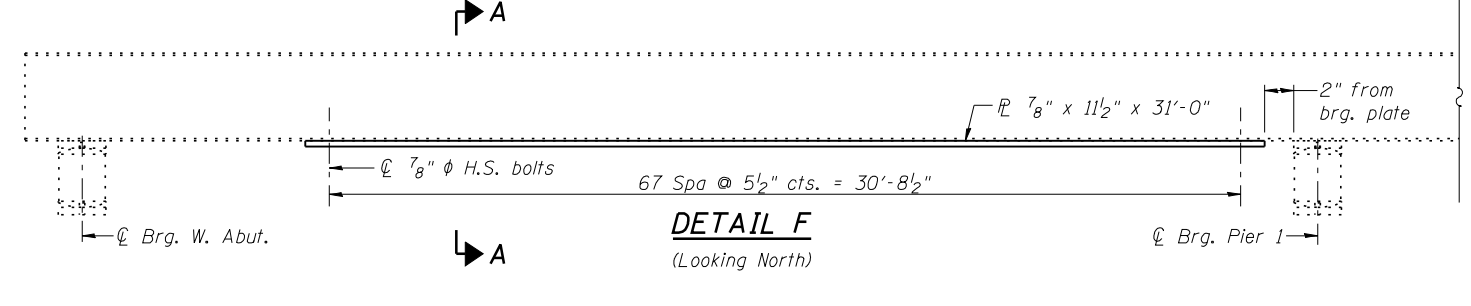
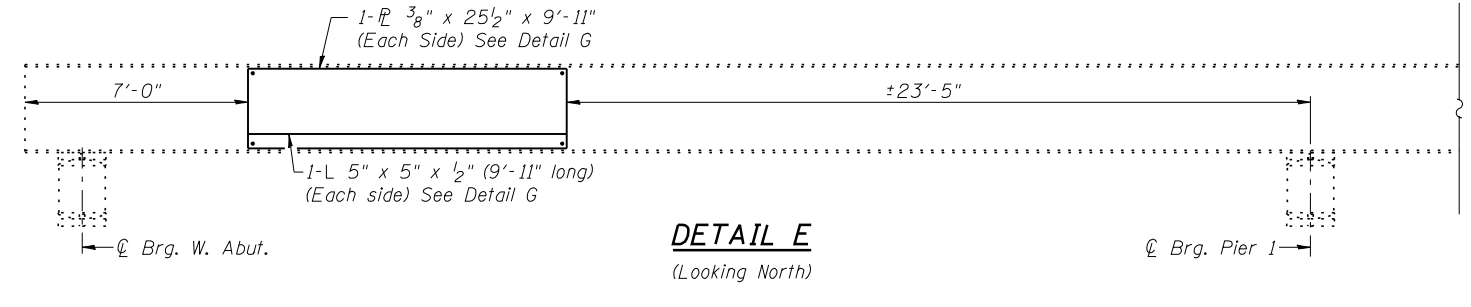
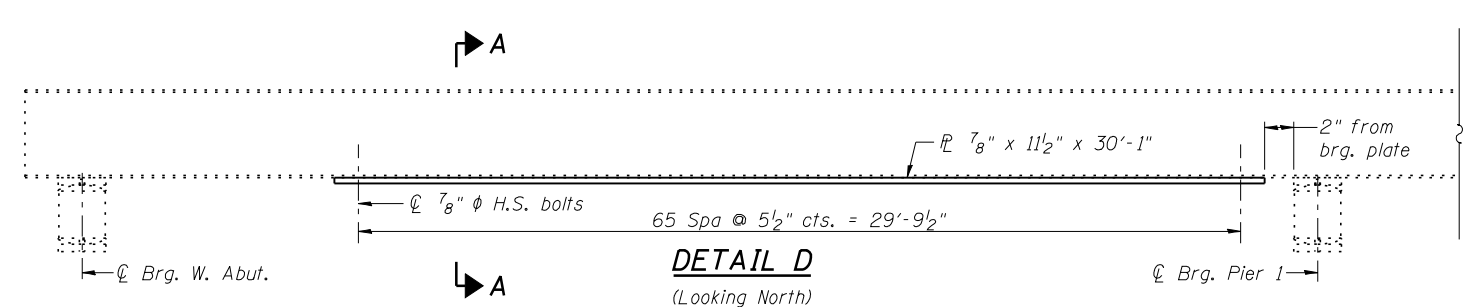
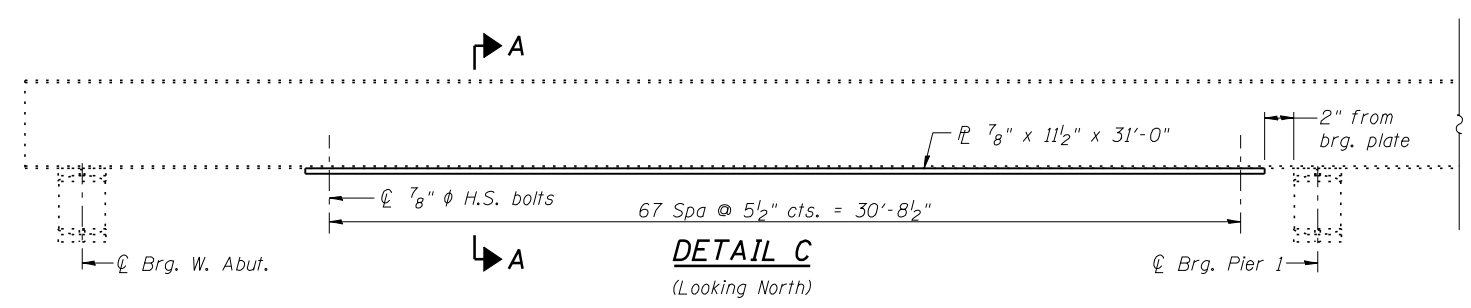
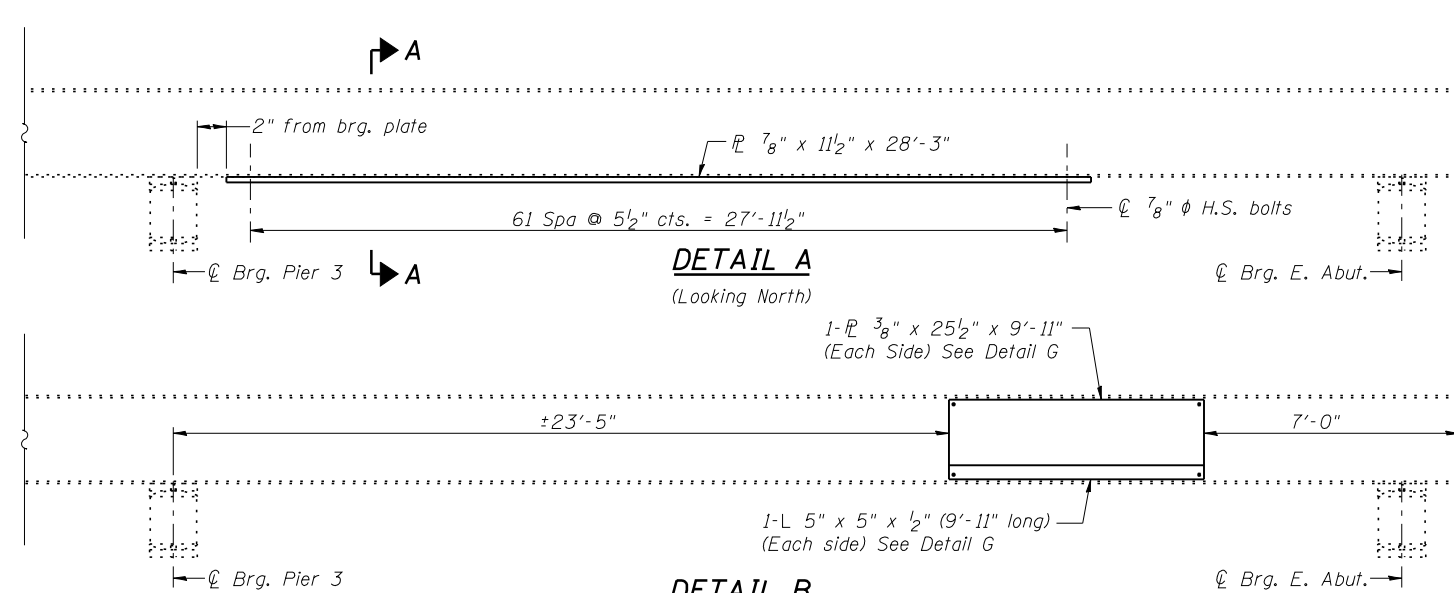


FRAMING PLAN
(Showing Beam Straightening)



DETAIL G

SECTION A-A

(Sheet 2 of 2)



USER NAME =	DESIGNED - TBP	REVISED -
FILE NAME =	CHECKED - ADB	REVISED -
PLOT SCALE =	DRAWN - AJF	REVISED -
PLOT DATE =	CHECKED - MTH	REVISED -

STATE OF ILLINOIS
DEPARTMENT OF TRANSPORTATION

STRUCTURAL STEEL DETAILS
STRUCTURE NOS. 045-0035 (EB) & 045-0036 (WB)

SHEET NO. 15 OF 21 SHEETS

F.A.P. RTE.	SECTION	COUNTY	TOTAL SHEETS	SHEET NO.
573	61 HB-1-7	KANE	48	33
CONTRACT NO. 60N12				
ILLINOIS FED. AID PROJECT				