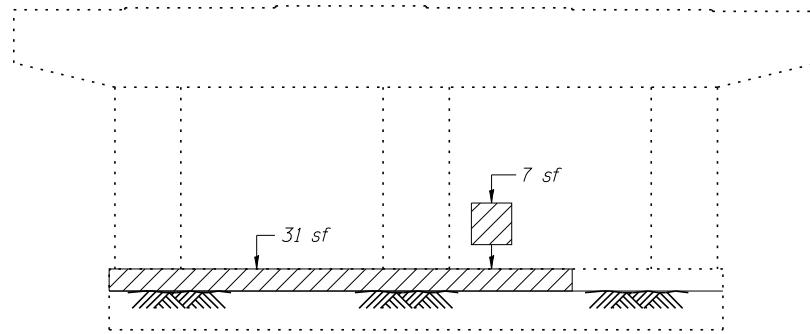
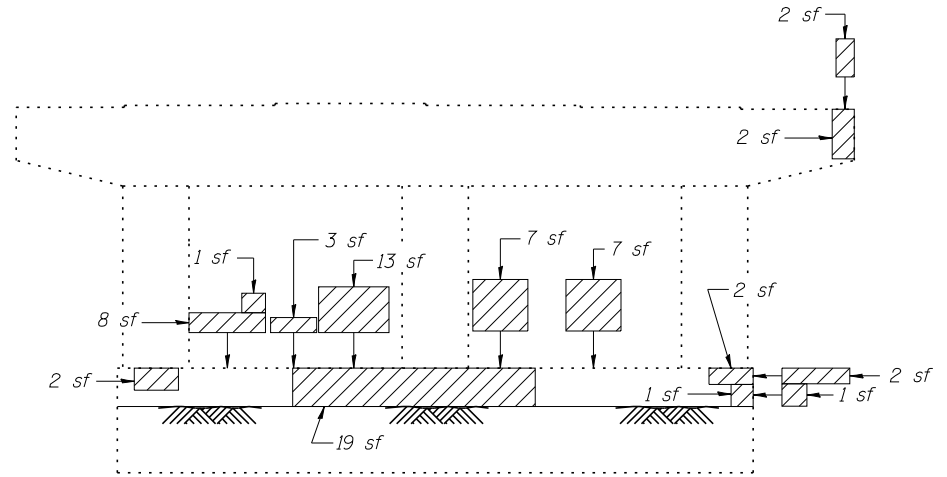


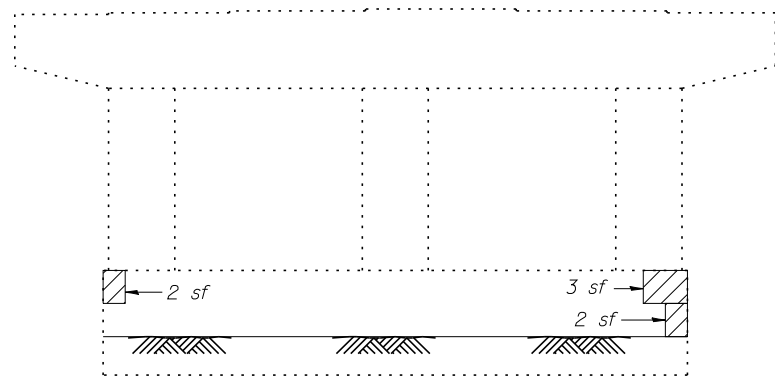
**PIER 1**  
(Looking West)  
(E.B. Bridge)



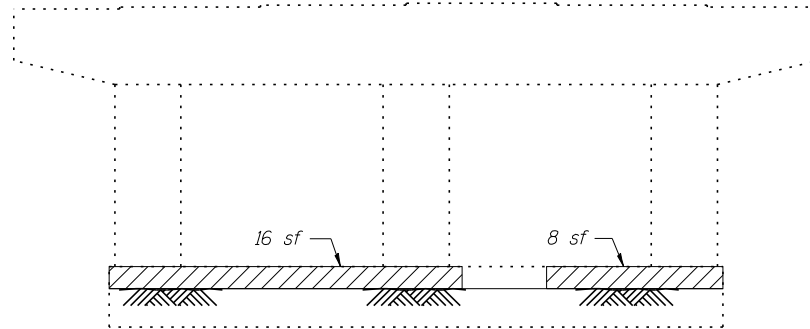
**PIER 2**  
(Looking West)  
(E.B. Bridge)



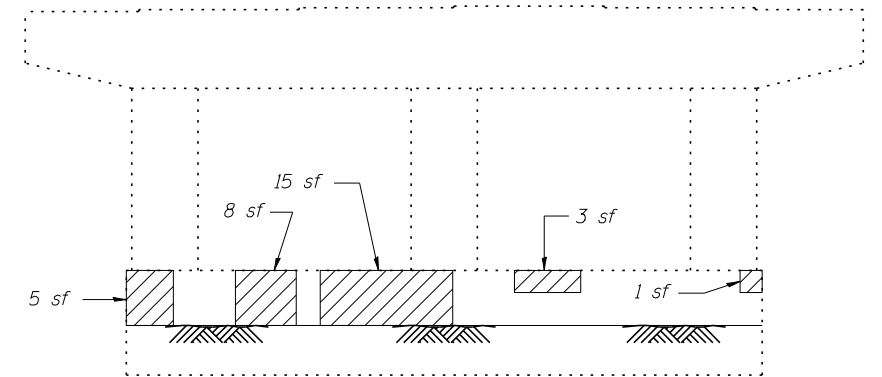
**PIER 3**  
(Looking West)  
(E.B. Bridge)



**PIER 1**  
(Looking East)  
(E.B. Bridge)



**PIER 2**  
(Looking East)  
(E.B. Bridge)



**PIER 3**  
(Looking East)  
(E.B. Bridge)

**LEGEND**

Structural Repair of Concrete  
(Depth equal to or less than 5 in.)

sf Square Feet

Note:  
Repair of the existing piers shall include but may not be limited to the areas shown. The actual areas to be repaired will be determined by the Engineer at the time of construction.

**BILL OF MATERIAL**

ITEM	UNIT	TOTAL
Structural Repair of Concrete (Depth equal to or less than 5 in.)	Sq. Ft.	201

(Sheet 1 of 3)