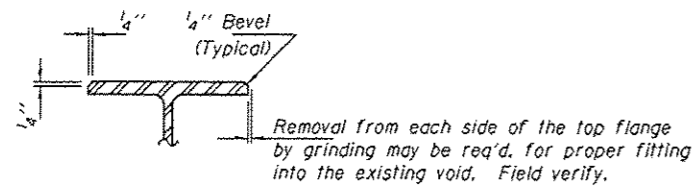


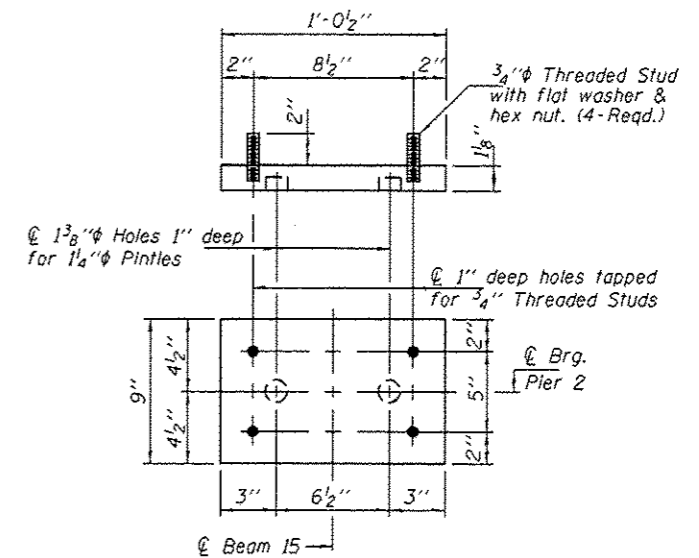
ELEVATION BEAM 15

Natural camber of new beam shall be placed upward for fabrication.

- Use holes in existing splice plates as template for drilling holes in new beam.



SECTION C-C



TOP BEARING PLATE

PL 1 1/8" x 9" x 1'-0 1/2"

DESIGNED GGE	EXAMINED <i>Timothy A. [Signature]</i>	DATE AUGUST 2, 2013
CHECKED TLC	ACTING ENGINEER OF STRUCTURAL SERVICES	
DRAWN <i>baliva</i>	PASSED <i>[Signature]</i>	REVISED
CHECKED GGE TLC	ACTING ENGINEER OF BRIDGES AND STRUCTURES	REVISED

STATE OF ILLINOIS
DEPARTMENT OF TRANSPORTATION

IMPACT REPAIR DETAILS
SN 045-0035 (EB) & 0036 (WB)

SHEET NO. 150 OF 21 SHEETS

F.A.P. RTE.	SECTION	COUNTY	TOTAL SHEETS	SHEET NO.
573	61 NB-1-T	KANE	48	330
			CONTRACT NO. 60N12	
ILLINOIS FED. AID PROJECT				