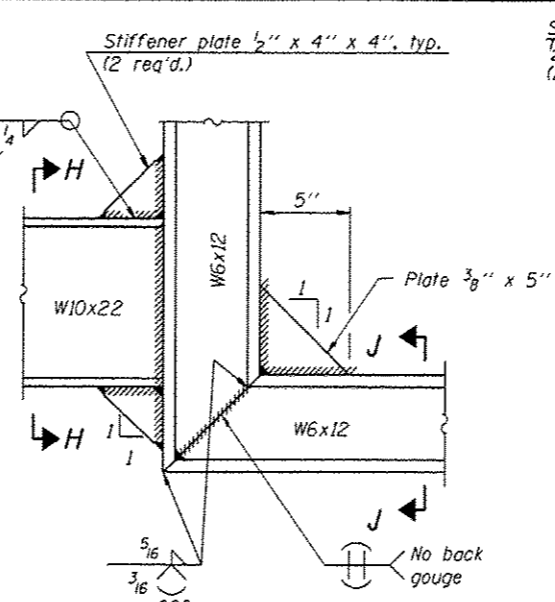
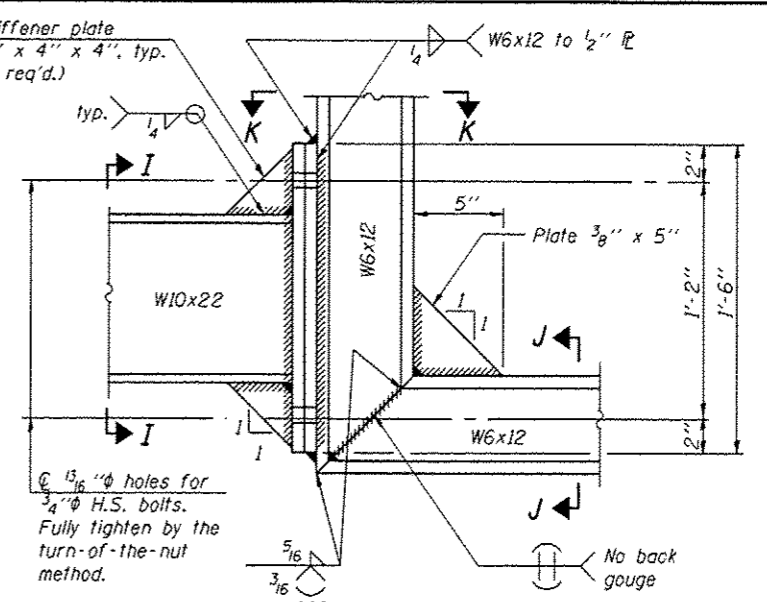


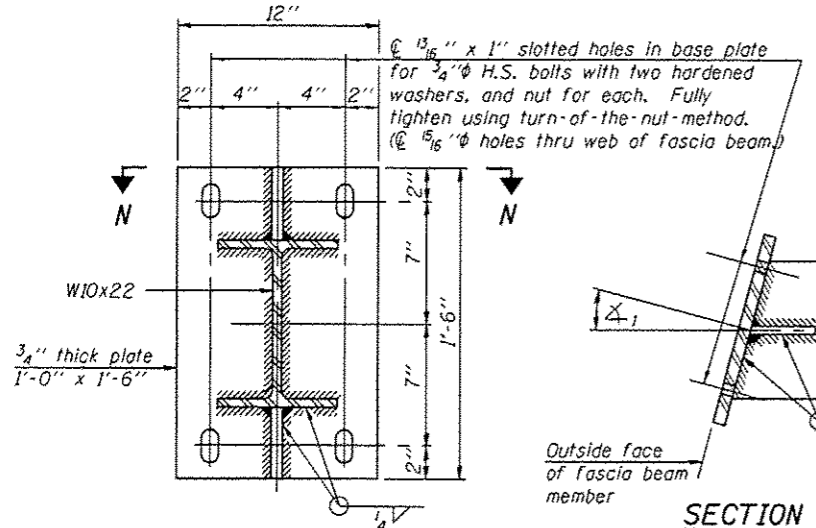
**DETAIL A**



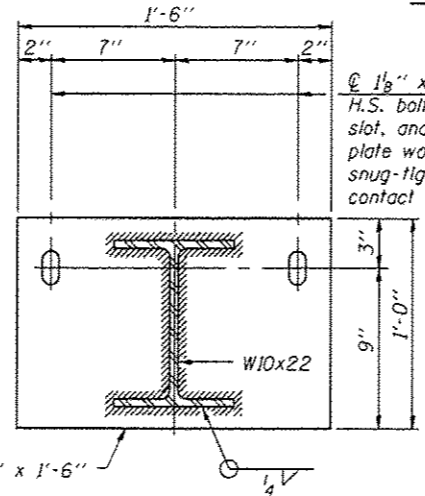
**DETAIL B - WELDED W10x22 TO W6x12 CONNECTION**



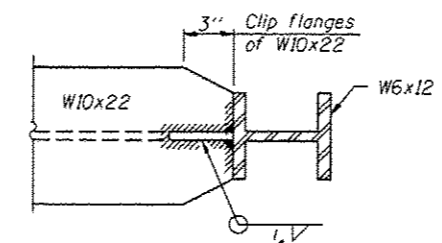
**DETAIL B - ALTERNATE BOLTED W10x22 TO W6x12 CONNECTION**



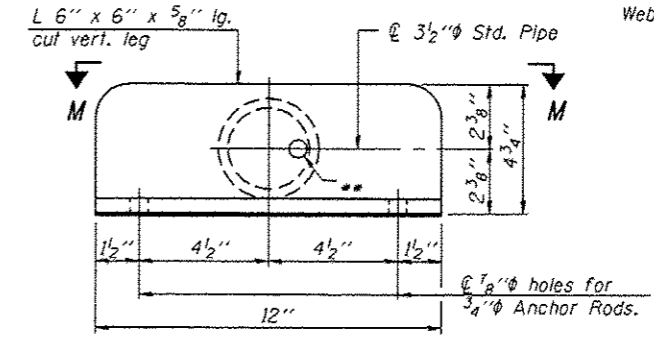
**SECTION N-N**  
Skewed connection detail for W10x22 to fascia beam.



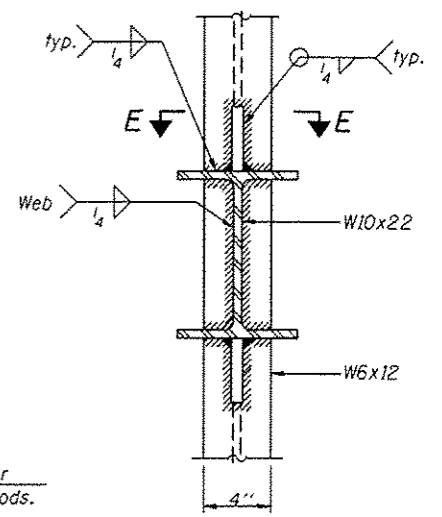
**SECTION D-D**  
Concrete beam or girder connection plate details.



**SECTION E-E**

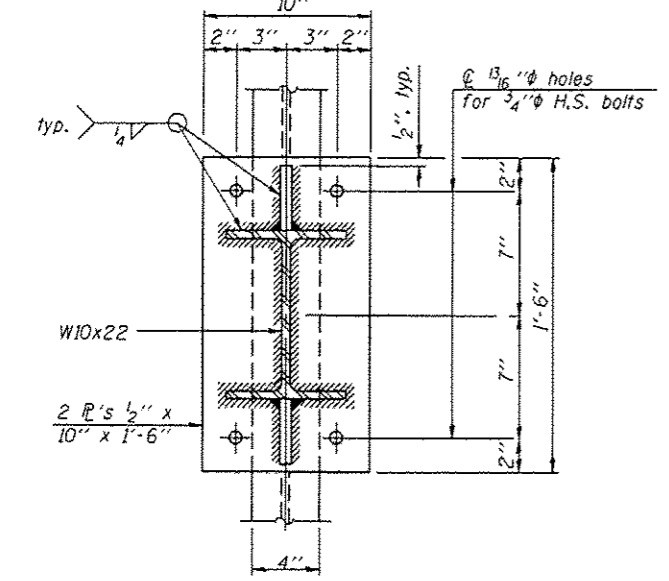


**VIEW F-F**



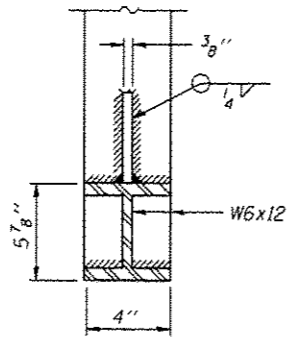
**SECTION H-H**

**SECTION C-C**  
Steel beam or girder connection plate details

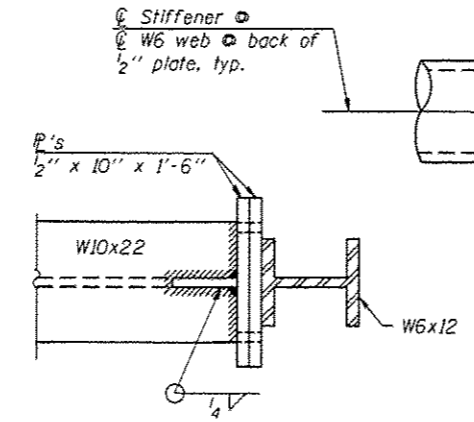


**SECTION I-I**

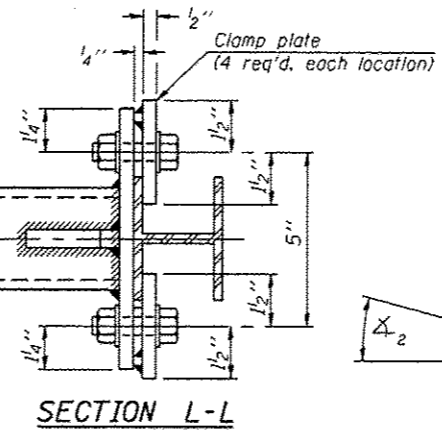
Note: For constant slab overhang at fascia beam,  $\Delta_1 = \Delta_2 =$  sign angle. For flared beams or other special cases where  $\Delta_1 \neq \Delta_2$ ,  $\Delta_1 =$  sign angle.



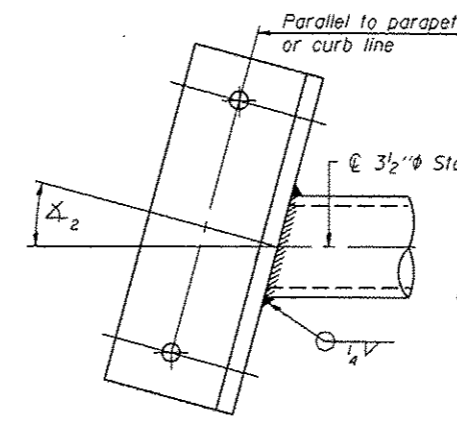
**SECTION J-J**



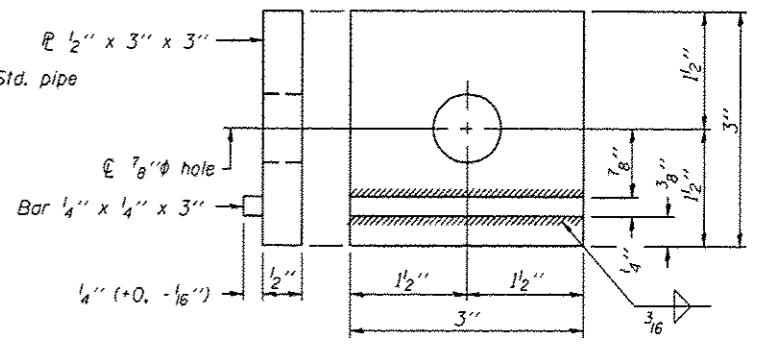
**SECTION K-K**



**SECTION L-L**



**SECTION M-M**  
Skewed connection detail for 3 1/2" pipe to parapet.



**CLAMP PLATE DETAILS**

<b>BM-3</b> DESIGNED GGE CHECKED TLC DRAWN baliva CHECKED GGE TLC		EXAMINED PASSED  ACTING ENGINEER OF STRUCTURAL SERVICES  ACTING ENGINEER OF BRIDGES AND STRUCTURES		DATE <u>AUGUST 2, 2013</u> REVISED REVISED		<b>STATE OF ILLINOIS</b> <b>DEPARTMENT OF TRANSPORTATION</b>			<b>BRIDGE MOUNT SIGN STRUCTURES</b> <b>CONNECTION DETAILS</b> <b>SN 045-0035 (EB) &amp; 0036 (WB)</b> SHEET NO. 15H OF 21 SHEETS			F.A.P. R.T.E. 873		SECTION 61 MB-1-7		COUNTY KANE		TOTAL SHEETS 48		SHEET NO. 35H		CONTRACT NO. 60N12	
---	--	---	--	--	--	---	--	--	---	--	--	----------------------	--	----------------------	--	----------------	--	--------------------	--	------------------	--	--------------------	--