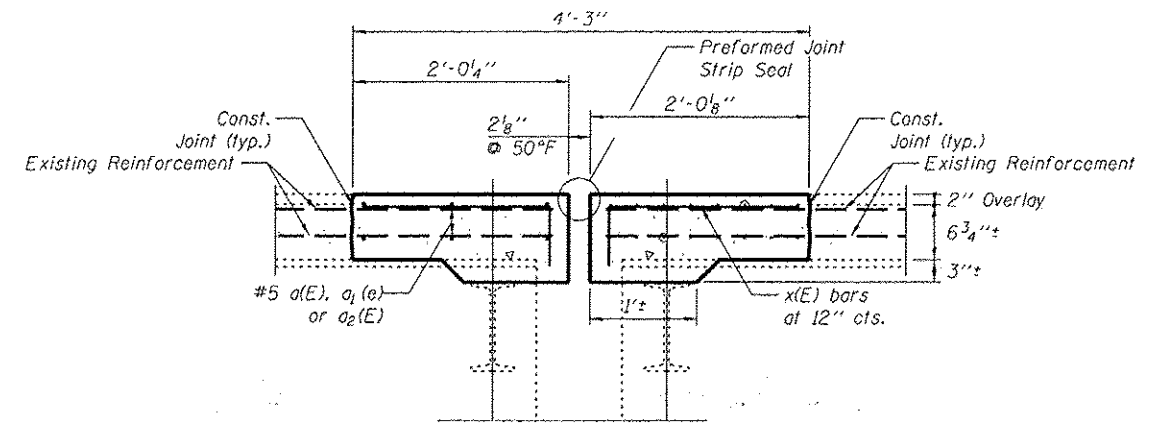
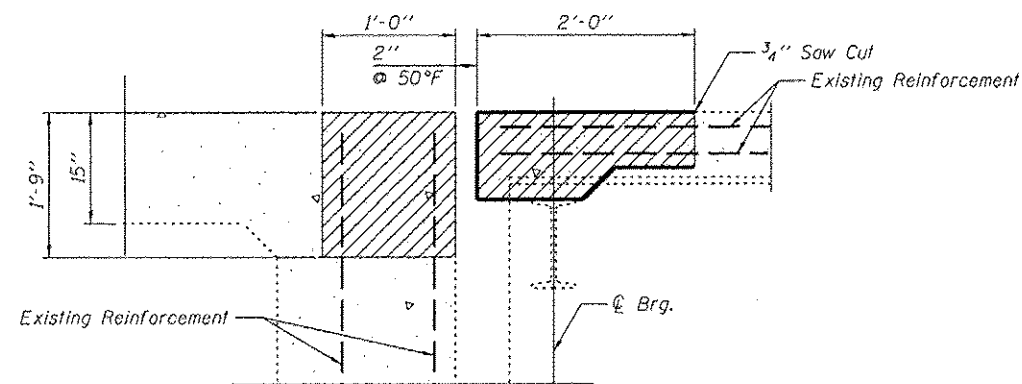


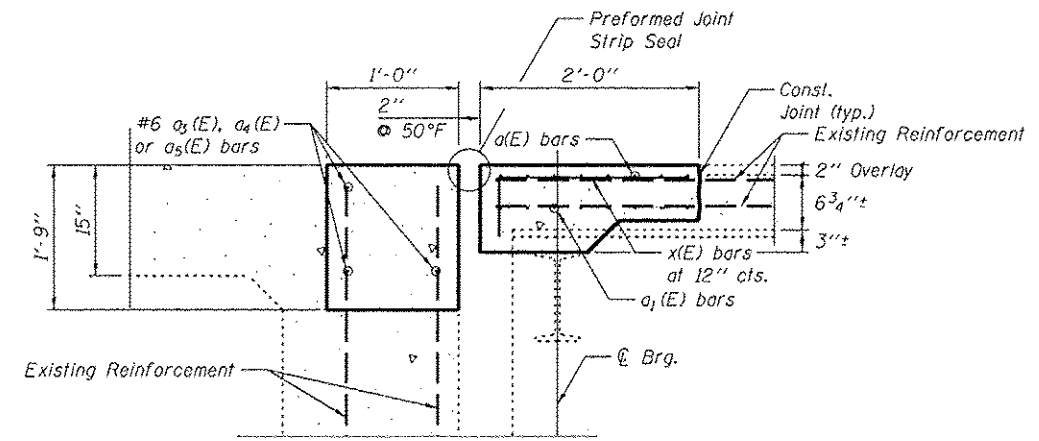
SECTION A-A
(Dimensions at Rt. L's)



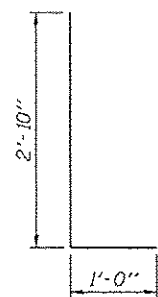
SECTION C-C
(Dimensions at Rt. L's)



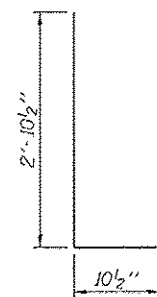
SECTION E-E
(Dimensions at Rt. L's)



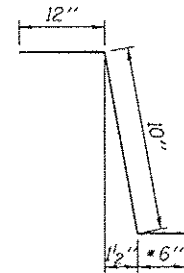
SECTION F-F
(Dimensions at Rt. L's)



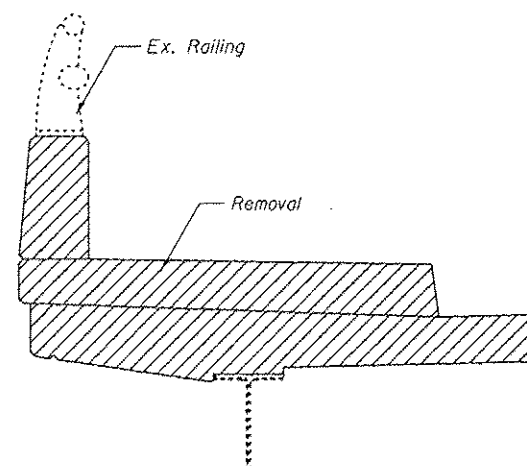
d(E) Bar



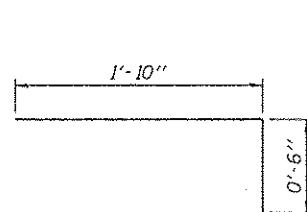
d1(E) Bar



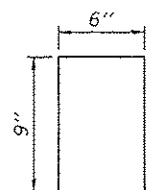
c(E) Bar



SECTION B-B

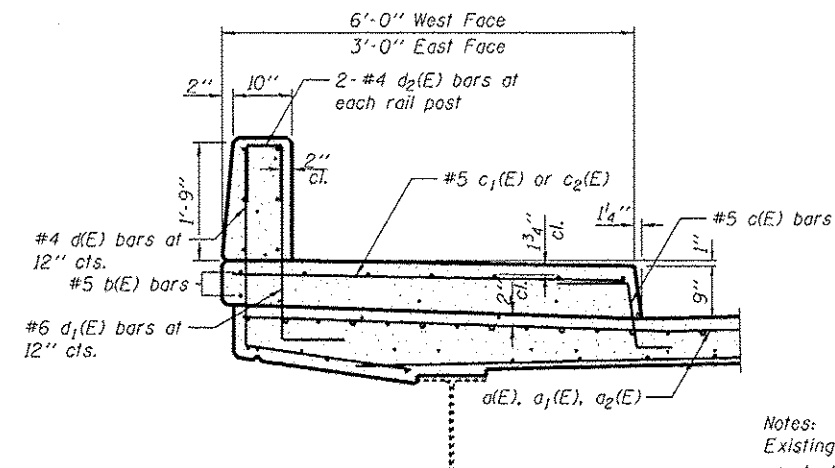


x(E) Bar



d2(E) Bar

* In lieu of bottom leg, c(E) bars may be cored and set according to Article 509.06 of the Standard Specifications. Cored holes shall be roughened or scored per manufacturer's recommendations. Maximum depth of cored hole shall not exceed 6".



SECTION D-D
Dimensions are at L's

Notes:
Existing reinforcement bars extending into removal area are to be cleaned, straightened, and incorporated into the new construction.
Any reinforcement bars that are damaged during concrete removal operations shall be repaired or replaced using an approved bar splicer or anchorage system. Cost included with Concrete Removal.
Removal of existing joint system shall be included in the cost of Concrete Removal.
Hatched area indicates concrete removal.

PRINTED DATE: 8/8/2013
FILE NAME: K:\Projects\DOT\163-13\Main over MPDCC RR\CADD\Sheet\12122013 Revised Final Plans and Bids to DOT\CD\Sheet\163-13\12122013-2013-08-08.dwg



USER NAME = *USER*	DESIGNED - JEH	REVISD - 08/08/2013
PLOT SCALE = 0.1668 1/4 in.	CHECKED - DF	REVISD -
PLOT DATE = 8/8/2013	DRAWN - JEH	REVISD -
	CHECKED - DF	REVISD -

STATE OF ILLINOIS
DEPARTMENT OF TRANSPORTATION

EXPANSION JOINT DETAILS
STRUCTURE NO. 016-2412

SHEET NO 9 OF 12 SHEETS

F.A.P. RTE. 348	SECTION 0708.3A-BR(11)	COUNTY COOK	TOTAL SHEETS 25	SHEET NO. 17
CONTRACT NO. 60T07				ILLINOIS FED. AID PROJECT